



US00D706203S

(12) **United States Design Patent**
Gibson

(10) **Patent No.:** **US D706,203 S**

(45) **Date of Patent:** **** Jun. 3, 2014**

(54) **BRACKET**

(75) Inventor: **Jeffrey Alan Gibson**, Ripley, OH (US)

(73) Assignee: **Wald LLC**, Maysville, KY (US)

(**) Term: **14 Years**

(21) Appl. No.: **29/416,210**

(22) Filed: **Mar. 20, 2012**

(51) **LOC (10) Cl.** **12-06**

(52) **U.S. Cl.**

USPC **D12/223; D12/406**

(58) **Field of Classification Search**

USPC D8/16, 23, 56, 72, 80, 323, 349, 353,
D8/330, 371, 381, 382, 354, 380;
D12/223, 406; 248/689, 690, 691, 200,
248/300, 304, 317, 313; 224/412, 413, 401,
224/420, 419

See application file for complete search history.

(56) **References Cited**

U.S. PATENT DOCUMENTS

789,931 A	5/1905	Pawasarat
890,701 A	6/1908	Pawsat
959,160 A	5/1910	Pawsat et al.
973,065 A	10/1910	Pawsat et al.
984,239 A	2/1911	Pawsat et al.
1,093,352 A	4/1914	Pawsat
1,114,028 A	10/1914	Pawsat
1,118,679 A	11/1914	Pawsat
1,170,099 A	2/1916	Pawsat
D57,378 S	3/1921	Pawsat
1,393,158 A	10/1921	Pawsat
1,472,812 A	11/1923	Pawsat
1,509,834 A	9/1924	Graham
1,510,603 A	10/1924	Pawsat
1,510,604 A	10/1924	Pawsat
1,523,558 A	1/1925	Pawsat
1,535,601 A	4/1925	Graham
1,542,807 A	6/1925	Pawsat

1,557,359 A	10/1925	Graham
1,577,146 A	3/1926	Pawsat
1,619,538 A	3/1927	Pawsat
1,685,882 A	10/1928	Pawsat
1,703,444 A	2/1929	Graham
1,716,793 A	6/1929	Pawsat
1,735,212 A	11/1929	Pawsat
1,805,884 A	5/1931	Pawsat
1,888,865 A	11/1932	Pawsat

(Continued)

FOREIGN PATENT DOCUMENTS

CA	358311 A	6/1936
CA	873097 A	6/1971

OTHER PUBLICATIONS

Unknown, Wald Manufacturing Co., Believed from Wald 1935 Catalog, p. 20.

Primary Examiner — Deanna L Pratt

Assistant Examiner — Harold Blackwell, II

(74) *Attorney, Agent, or Firm* — Porter Wright Morris & Arthur; Ryan Willis

(57)

CLAIM

I claim the ornamental design for a bracket, as shown and described.

DESCRIPTION

FIG. 1 is an elevated perspective view from the right front of a bracket, showing my new design, attached to a basket;

FIG. 2 is a frontal view thereof;

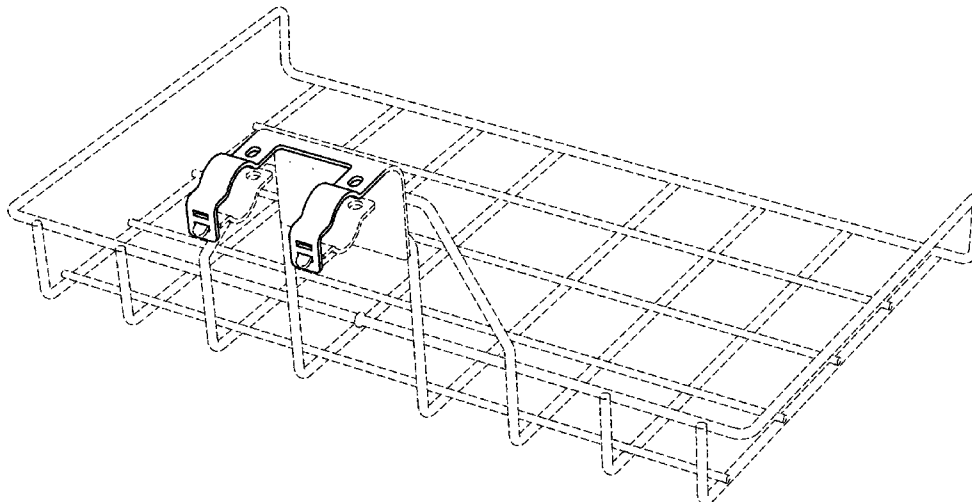
FIG. 3 is a left profile view thereof; and,

FIG. 4 is a top view thereof.

The broken line showing of the wire basket illustrates the environment of the claimed design and forms no part thereof.

The broken line showing of portions of the bracket illustrate portions of the bracket which form no part of the claimed design.

1 Claim, 4 Drawing Sheets



(56)

References Cited

U.S. PATENT DOCUMENTS

1,908,535 A	5/1933	Pawsat	3,603,549 A	9/1971	Brilando et al.
1,962,835 A	6/1934	Pawsat	3,606,110 A	9/1971	Pawsat
1,974,290 A	9/1934	Pawsat	D222,210 S	10/1971	Humlong
1,976,088 A	10/1934	Pawsat	D222,211 S	10/1971	Humlong
1,979,767 A	11/1934	Pawsat	D222,212 S	10/1971	Humlong
1,991,770 A	2/1935	Pawsat	3,613,970 A	10/1971	Humlong
2,018,530 A	10/1935	Pawsat	3,622,180 A	11/1971	Humlong
2,018,531 A	10/1935	Pawsat	3,623,747 A	11/1971	Humlong
2,020,904 A	11/1935	Pawsat	3,642,305 A	2/1972	Pawsat
2,021,805 A	11/1935	Pawsat	D223,072 S	3/1972	Pawsat et al.
2,021,806 A	11/1935	Pawsat	D223,073 S	3/1972	Pawsat et al.
D99,301 S	4/1936	Pawsat	D223,074 S	3/1972	Pawsat et al.
D101,967 S	11/1936	Pawsat	D223,075 S	3/1972	Pawsat et al.
D101,968 S	11/1936	Pawsat	3,647,242 A	3/1972	Pawsat et al.
2,074,422 A	3/1937	Pawsat	3,652,105 A	3/1972	Humlong
D104,291 S	4/1937	Pawsat	D223,554 S	5/1972	Pawsat
D104,292 S	4/1937	Pawsat	3,659,478 A	5/1972	Pawsat et al.
D104,293 S	4/1937	Pawsat	D224,464 S	7/1972	Humlong
D104,504 S	5/1937	Pawsat	D224,465 S	7/1972	Humlong
D104,505 S	5/1937	Pawsat	D224,466 S	7/1972	Pawsat
D104,506 S	5/1937	Pawsat	D224,467 S	7/1972	Humlong
D104,507 S	5/1937	Pawsat	D224,468 S	7/1972	Humlong
D109,727 S	5/1938	Pawsat	D224,469 S	7/1972	Humlong
D109,922 S	5/1938	Pawsat	D224,470 S	7/1972	Humlong
2,130,696 A	9/1938	Pawsat	D224,471 S	7/1972	Humlong
2,130,928 A	9/1938	Pawsat	D224,472 S	7/1972	Humlong
2,135,217 A	11/1938	Pawsat	D224,473 S	7/1972	Humlong
2,135,218 A	11/1938	Pawsat	D224,474 S	7/1972	Pawsat
2,151,485 A	3/1939	Pawsat	D224,475 S	7/1972	Pawsat
2,168,916 A	8/1939	Pawsat	D224,476 S	7/1972	Pawsat
2,183,822 A	12/1939	Pawsat	D224,477 S	7/1972	Pawsat
D120,650 S	5/1940	Pawsat	D224,478 S	7/1972	Pawsat
2,202,426 A	5/1940	Pawsat	D224,696 S	8/1972	Pawsat et al.
2,209,846 A	7/1940	Pawsat	D224,697 S	8/1972	Pawsat et al.
2,280,662 A	4/1942	Pawsat	D224,698 S	8/1972	Pawsat et al.
2,307,235 A	1/1943	Pawsat	D224,699 S	8/1972	Pawsat et al.
2,383,273 A	8/1945	Pawsat	D224,819 S	9/1972	Humlong
2,386,887 A	10/1945	Eckel	3,695,496 A	10/1972	Humlong
D146,119 S	12/1946	Pawsat	3,701,289 A	10/1972	Pawsat et al.
D157,416 S	2/1950	Pawsat	3,701,290 A	10/1972	Pawsat et al.
2,498,446 A	2/1950	Pawsat	3,707,319 A	12/1972	Pawsat et al.
2,505,648 A	4/1950	Pawsat	D226,150 S	1/1973	Pawsat et al.
2,532,034 A	11/1950	Pawsat et al.	D226,151 S	1/1973	Pawsat et al.
2,561,710 A	7/1951	Pawsat	3,709,058 A	1/1973	Pawsat
2,712,947 A	7/1955	Pawsat et al.	3,722,930 A	3/1973	Humlong
2,723,133 A	11/1955	Pawsat	D226,789 S	4/1973	Pawsat
2,731,854 A	1/1956	Pawsat	D227,045 S	5/1973	Pawsat
2,769,990 A	11/1956	Pawsat	D227,193 S	6/1973	Pawsat
2,814,213 A	11/1957	Pawsat	D227,416 S	6/1973	Pawsat
2,817,540 A	12/1957	Pawsat	D228,158 S	8/1973	Pawsat
D188,022 S	5/1960	Pawsat	3,775,807 A	12/1973	McBrien
D190,011 S	3/1961	Pawsat	D230,720 S	3/1974	Humlong
3,102,610 A	9/1963	Shelby, Jr.	D230,721 S	3/1974	Pawsat et al.
D205,823 S	9/1966	Pawsat	3,797,912 A	3/1974	Humlong
3,286,416 A	11/1966	Ashworth	3,802,147 A	4/1974	O'Konski
D211,144 S	5/1968	Pawsat	D231,971 S	7/1974	Humlong
3,414,223 A	12/1968	Pawsat	3,831,891 A	8/1974	Jester
D214,477 S	6/1969	Pawsat et al.	D233,223 S	10/1974	Pawsat et al.
3,529,490 A	9/1970	Pawsat et al.	D233,224 S	10/1974	Humlong
D219,798 S	1/1971	Humlong	3,858,942 A	1/1975	Humlong
D220,156 S	3/1971	Humlong	D235,202 S	5/1975	Pawsat et al.
D220,157 S	3/1971	Humlong	D237,959 S	12/1975	Pawsat
D220,158 S	3/1971	Pawsat	3,964,809 A	6/1976	Wirbilowicz et al.
D221,322 S	7/1971	Pawsat et al.	3,970,399 A	7/1976	Palumbo
D221,323 S	7/1971	Pawsat et al.	3,986,734 A	10/1976	Davis
D221,324 S	7/1971	Pawsat et al.	D243,670 S	3/1977	Humlong
D221,325 S	7/1971	Pawsat et al.	D243,671 S	3/1977	Humlong
D222,015 S	9/1971	Pawsat et al.	D243,672 S	3/1977	Pawsat
D222,016 S	9/1971	Pawsat et al.	D244,255 S *	5/1977	Snyder D8/355
D222,017 S	9/1971	Pawsat et al.	4,037,810 A	7/1977	Pate
D222,018 S	9/1971	Pawsat et al.	4,041,600 A	8/1977	Ruediger
D222,019 S	9/1971	Pawsat et al.	4,042,097 A	8/1977	Clark et al.
D222,020 S	9/1971	Pawsat et al.	4,043,688 A	8/1977	Humlong
D222,021 S	9/1971	Pawsat et al.	4,063,798 A	12/1977	Pawsat
D222,022 S	9/1971	Pawsat et al.	4,083,548 A	4/1978	Hackbarth
			D248,635 S	7/1978	Pawsat et al.
			4,103,374 A	8/1978	Knoke
			4,106,738 A	8/1978	Kostecky
			4,113,395 A	9/1978	Pawsat et al.

(56)

References Cited

U.S. PATENT DOCUMENTS

4,114,249 A	9/1978	Clark et al.	4,932,652 A	6/1990	Beall, III
4,120,182 A	10/1978	Michelman et al.	D310,809 S	9/1990	Pawsat et al.
4,136,984 A	1/1979	Hayashi	4,964,603 A	10/1990	Yair
D251,552 S	4/1979	Humlong	4,980,805 A	12/1990	Maglica et al.
D252,988 S	9/1979	Humlong	4,984,737 A	1/1991	Muth et al.
4,193,247 A	3/1980	Heckelsberg	4,988,022 A	1/1991	Seitz
4,209,265 A	6/1980	Moehlenpah	4,993,123 A	2/1991	Siwek
4,222,156 A	9/1980	Anderle	4,998,426 A	3/1991	Genakis
4,232,978 A	11/1980	Cohen	D316,071 S	4/1991	McMurtrey
4,234,999 A	11/1980	Winter et al.	D317,284 S	6/1991	McMurtrey
4,269,336 A	5/1981	Humlong	5,037,050 A	8/1991	Lin et al.
4,274,322 A	6/1981	Cordes	5,048,733 A	9/1991	Nagy
4,274,754 A	6/1981	Cohen	5,062,026 A	10/1991	Maglica et al.
D260,249 S	8/1981	Humlong	5,082,178 A	1/1992	Muth et al.
4,282,993 A	8/1981	Humlong	5,082,226 A	1/1992	Mahan
4,307,495 A	12/1981	Sadler	5,097,640 A	3/1992	Skolnick et al.
4,331,270 A	5/1982	Humlong	5,100,052 A	3/1992	Vajtay
4,337,554 A	7/1982	Sevrence	5,109,321 A	4/1992	Maglica et al.
4,363,459 A	12/1982	Holzer	5,113,320 A	5/1992	Haydu
4,364,258 A	12/1982	Davidson	5,128,841 A	7/1992	Maglica et al.
4,372,017 A	2/1983	Heckethorn	5,144,546 A	9/1992	Burdi
D273,375 S	4/1984	Humlong	5,147,257 A	9/1992	Loane
4,475,778 A	10/1984	Stark	5,149,036 A	9/1992	Sheehan
4,477,865 A	10/1984	Tsuyama	D331,034 S	11/1992	McMurtrey
4,501,435 A	2/1985	McMurtrey	5,181,355 A	1/1993	Skolnick et al.
4,526,491 A	7/1985	Pawsat	5,181,774 A	1/1993	Lane
4,527,762 A	7/1985	Duell	5,184,884 A	2/1993	Maglica et al.
4,531,315 A	7/1985	Sobel	5,221,013 A	6/1993	Santucci
D280,311 S	8/1985	Pawsat	5,226,340 A	7/1993	Takeda
4,537,525 A	8/1985	McMurtrey	5,232,379 A	8/1993	Lai
4,539,738 A	9/1985	Antol et al.	5,253,835 A	10/1993	Herron, III
4,553,937 A	11/1985	Ropers	5,263,550 A	11/1993	Jines et al.
4,562,776 A	1/1986	Miranda	5,265,411 A	11/1993	Belsom
D282,730 S	2/1986	Pawsat et al.	5,265,496 A	11/1993	Townsend
4,567,992 A	2/1986	Davis	5,270,911 A	12/1993	Maglica et al.
4,576,415 A	3/1986	Hempelman	5,299,698 A	4/1994	Gay
4,580,853 A	4/1986	Hitzeroth et al.	5,327,695 A	7/1994	Kelly
4,593,738 A	6/1986	Chi Yu	5,353,973 A	10/1994	McMurtrey
4,595,212 A	6/1986	Haury et al.	5,355,746 A	10/1994	Lin
D284,561 S	7/1986	Pawsat et al.	5,374,102 A	12/1994	Archambault et al.
4,601,483 A	7/1986	McMurtrey	5,383,562 A	1/1995	Gay
4,615,535 A	10/1986	McMurtrey	5,385,280 A	1/1995	Littlepage et al.
4,618,115 A	10/1986	Belokin, Jr.	D356,759 S	3/1995	Pawsat
4,621,826 A	11/1986	Ziegler, Jr.	5,408,724 A	4/1995	Mullet et al.
4,632,345 A	12/1986	Barley	5,415,613 A	5/1995	McGrath
4,635,499 A	1/1987	McMurtrey	5,418,697 A	5/1995	Chiou
D288,345 S	2/1987	McMurtrey	5,423,450 A	6/1995	Shillington et al.
4,662,645 A	5/1987	McMurtrey	5,465,486 A	11/1995	King
4,684,110 A	8/1987	Sale et al.	5,487,497 A	1/1996	Kwiatkowski
4,688,835 A	8/1987	Wu	5,489,255 A	2/1996	Hinckley et al.
4,695,099 A	9/1987	Klein	5,507,610 A	4/1996	Benedetti et al.
4,699,377 A	10/1987	Ponza	5,531,511 A	7/1996	McMurtrey et al.
4,702,401 A	10/1987	Graber et al.	5,536,049 A	7/1996	Coules et al.
4,711,436 A	12/1987	Kobuck et al.	5,553,950 A	9/1996	Pawsat et al.
4,714,585 A	12/1987	Kast	5,586,593 A	12/1996	Schwartz
4,720,891 A	1/1988	Rennecker et al.	5,586,738 A	12/1996	Binelli
4,721,321 A	1/1988	Haury et al.	5,624,175 A	4/1997	Gelormino et al.
D294,014 S	2/1988	McMurtrey	5,667,181 A	9/1997	van Leeuwen et al.
4,725,244 A	2/1988	Chewning et al.	5,669,683 A	9/1997	Moss et al.
4,730,758 A	3/1988	McMurtrey	D384,925 S	10/1997	Pawsat et al.
4,735,365 A	4/1988	Smeller et al.	5,678,435 A	10/1997	Hodson
4,748,549 A	5/1988	Scheer	5,682,662 A	11/1997	Coules et al.
D298,613 S	11/1988	McMurtrey	5,688,172 A	11/1997	Lorenzo Regidor
4,783,187 A	11/1988	McMurtrey	D387,316 S	12/1997	Pawsat et al.
4,794,815 A	1/1989	Borromeo	5,718,533 A	2/1998	Mullet et al.
4,800,664 A	1/1989	Marstall	5,779,380 A	7/1998	Knapp
4,805,925 A	2/1989	Haury et al.	5,788,416 A	8/1998	Wolgamot
4,846,508 A	7/1989	Pallini, Jr. et al.	5,794,894 A	8/1998	Fremund
4,884,528 A	12/1989	Stuedler, Jr.	5,806,813 A *	9/1998	Binelli 248/73
D306,418 S	3/1990	McMurtrey	5,833,534 A	11/1998	Lai
D306,568 S	3/1990	McMurtrey	5,845,351 A	12/1998	Berta et al.
4,914,790 A	4/1990	Foubert	D403,948 S *	1/1999	Pawsat D8/355
4,916,970 A	4/1990	McMurtrey	5,857,615 A	1/1999	Rose
4,928,834 A	5/1990	Neiman	5,878,627 A	3/1999	McMurtrey
4,929,007 A	5/1990	Bartczak et al.	5,881,508 A	3/1999	Irvine et al.
			5,941,377 A	8/1999	Hart et al.
			5,948,308 A	9/1999	Wischusen, III
			5,971,684 A	10/1999	Wang
			6,067,875 A	5/2000	Ritchey et al.

(56)

References Cited

U.S. PATENT DOCUMENTS

6,076,424 A	6/2000	McMurtrey et al.	7,472,970 B2	1/2009	Bergesch et al.
6,126,354 A	10/2000	Ramich	7,517,380 B2	4/2009	Grimm et al.
6,145,212 A	11/2000	Geise et al.	7,594,741 B2	9/2009	Okajima et al.
6,178,848 B1	1/2001	Lowe	7,602,613 B2	10/2009	Goodwin et al.
6,196,401 B1	3/2001	Brady et al.	7,654,563 B2	2/2010	Soderquist
6,241,144 B1	6/2001	Mandon	7,666,109 B2	2/2010	White
6,311,852 B1	11/2001	Ireland	7,713,060 B1	5/2010	Ichino
6,357,708 B1	3/2002	Carson	7,753,423 B2	7/2010	Zellner, Jr.
6,382,431 B1	5/2002	Burke	7,798,686 B2	9/2010	Mesko et al.
6,382,433 B1	5/2002	Podergois	7,815,389 B2	10/2010	Wagner et al.
6,394,694 B1	5/2002	Klieber	7,819,367 B1	10/2010	Roberts et al.
6,467,734 B1	10/2002	Brown et al.	7,823,903 B2	11/2010	Swaggert
6,499,958 B2	12/2002	Haugen et al.	7,823,957 B2	11/2010	Williamson et al.
6,533,288 B1	3/2003	Brandner et al.	7,824,125 B2	11/2010	Dorney et al.
6,565,370 B1	5/2003	Kabat et al.	7,832,554 B2	11/2010	Sutton-Rainey et al.
6,584,872 B1	7/2003	Kojima	7,841,575 B1	11/2010	Sliger
6,640,975 B2	11/2003	Bennett et al.	7,845,671 B2	12/2010	Cone, II
6,641,149 B2	11/2003	Chiappetta et al.	7,857,020 B2	12/2010	McDaniel
6,648,417 B1	11/2003	Gilbert et al.	7,861,448 B2	1/2011	Povilaitis
6,655,642 B1	12/2003	Zearbaugh	7,866,070 B2	1/2011	Beyer, Jr.
6,667,442 B1	12/2003	Hilligoss	7,870,677 B2	1/2011	Gray et al.
D485,658 S	1/2004	McMurtrey	7,883,065 B2	2/2011	Nelson
6,679,460 B2	1/2004	Nicolia et al.	7,887,108 B1	2/2011	Cawley et al.
6,695,396 B1	2/2004	Schwab	7,891,479 B2	2/2011	Evangelista et al.
6,725,808 B2	4/2004	Campbell et al.	7,891,739 B2	2/2011	Cramer
6,783,101 B2	8/2004	Knotts	7,896,040 B2	3/2011	Gill
D496,321 S *	9/2004	McMurtrey et al. D12/223	7,900,882 B2	3/2011	Evans et al.
6,793,641 B2	9/2004	Freeman et al.	7,900,952 B2	3/2011	Cone, II
6,901,632 B2	6/2005	Boyce	7,922,136 B2	4/2011	Lien et al.
6,932,266 B2	8/2005	Jones et al.	7,930,989 B2	4/2011	Doty, III et al.
6,988,614 B2	1/2006	Hemingway et al.	7,931,244 B1	4/2011	Sipe
6,991,397 B2	1/2006	Welch	7,931,287 B2	4/2011	Dudding et al.
7,017,865 B2	3/2006	Zearbaugh	7,942,077 B2	5/2011	Lai
7,025,645 B1	4/2006	Hsieh	7,946,066 B2	5/2011	Wamsley
7,044,677 B2	5/2006	Moser et al.	7,954,776 B2	6/2011	Davis et al.
7,077,150 B2	7/2006	McNerney	7,961,460 B2	6/2011	Hood, III et al.
7,093,869 B2	8/2006	Jung	7,971,458 B2	7/2011	Gilbert
7,093,964 B2	8/2006	Bynum	7,972,401 B2	7/2011	Stock et al.
7,104,594 B2	9/2006	Granger et al.	7,976,052 B1	7/2011	Williams, Jr.
7,108,291 B2	9/2006	Baxi et al.	7,979,979 B2	7/2011	Burke et al.
7,114,833 B1	10/2006	Pickett et al.	7,997,860 B2	8/2011	Burdgick et al.
7,121,221 B2	10/2006	Lawrence	8,011,627 B2	9/2011	Andkjar
7,181,924 B2	2/2007	Duffy et al.	8,021,546 B2	9/2011	Hukki
7,185,770 B1	3/2007	Roten	8,025,195 B2	9/2011	Robichaux et al.
7,216,878 B2	5/2007	Damon	8,042,823 B2	10/2011	Cusack
7,225,471 B2	6/2007	Sutter et al.	8,045,672 B2	10/2011	Jensen et al.
7,249,875 B1	7/2007	Roach et al.	8,056,495 B2	11/2011	Lemons
7,263,790 B2	9/2007	Richards	8,061,889 B2	11/2011	Mattson et al.
7,293,786 B2	11/2007	Burton et al.	8,065,843 B2	11/2011	Timothy et al.
7,318,439 B2	1/2008	Raje et al.	8,070,119 B2	12/2011	Taylor
7,320,401 B1	1/2008	Chandler	8,074,852 B2 *	12/2011	Crum et al. 224/432
7,334,911 B2	2/2008	Sinegal et al.	8,074,945 B2	12/2011	Schoenau et al.
7,337,897 B2	3/2008	Sutton-Rainey et al.	8,087,699 B2	1/2012	Holt et al.
7,347,596 B2	3/2008	Ishikawa	8,104,185 B2	1/2012	Gray et al.
7,377,673 B1	5/2008	Hsiao	8,104,827 B2	1/2012	Crane et al.
7,392,967 B2	7/2008	Liaw et al.	8,104,962 B2	1/2012	Niedermeyer et al.
7,434,492 B1	10/2008	Morales	8,109,485 B2	2/2012	Vanlanen et al.
7,448,679 B2	11/2008	Chang	8,113,806 B2	2/2012	Currie et al.
D584,675 S	1/2009	Crum, Jr.	D663,190 S *	7/2012	Mota et al. D8/349
			D676,370 S *	2/2013	Pawsat et al. D12/223
			D680,052 S *	4/2013	Lee D12/223

* cited by examiner

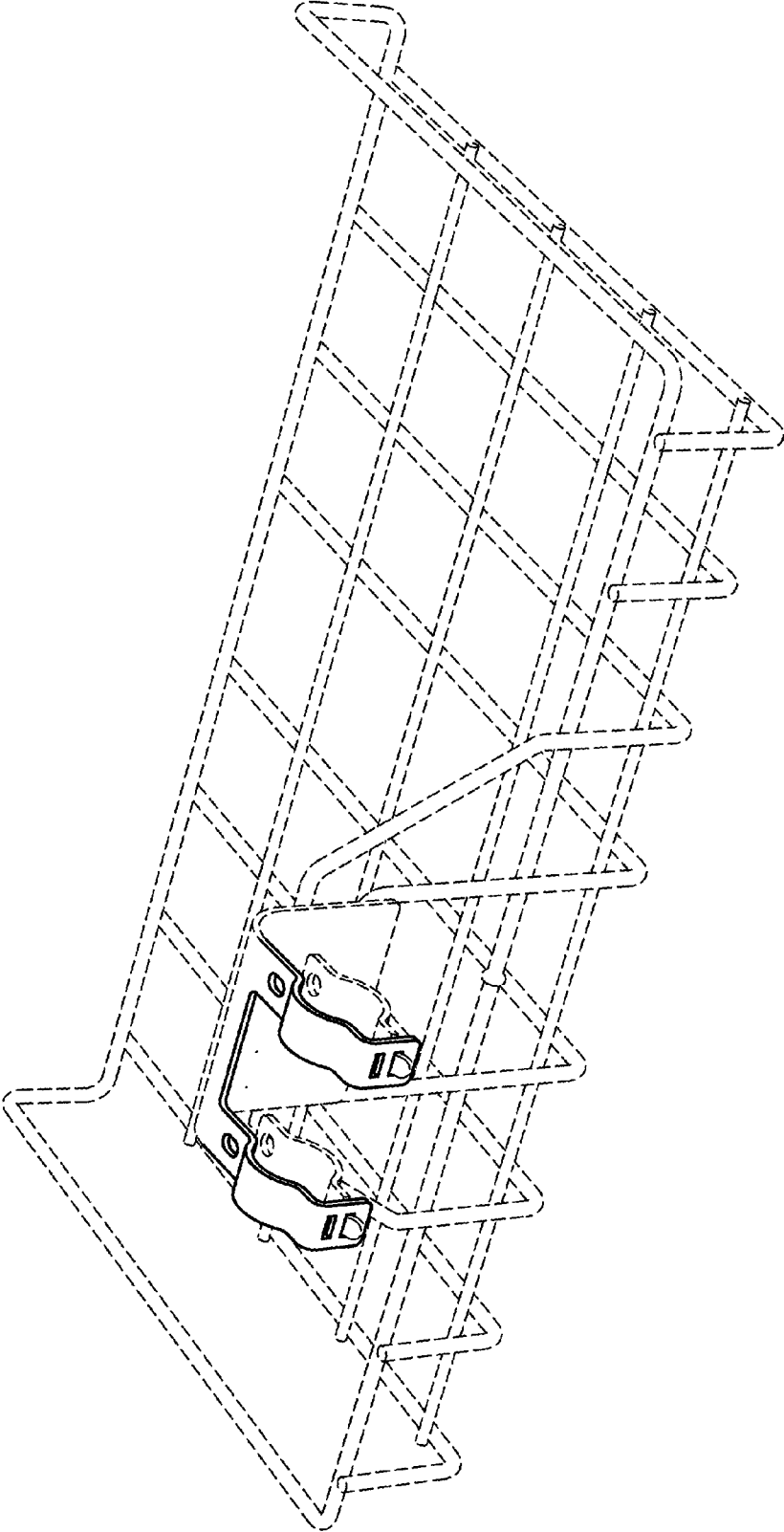


FIG.1

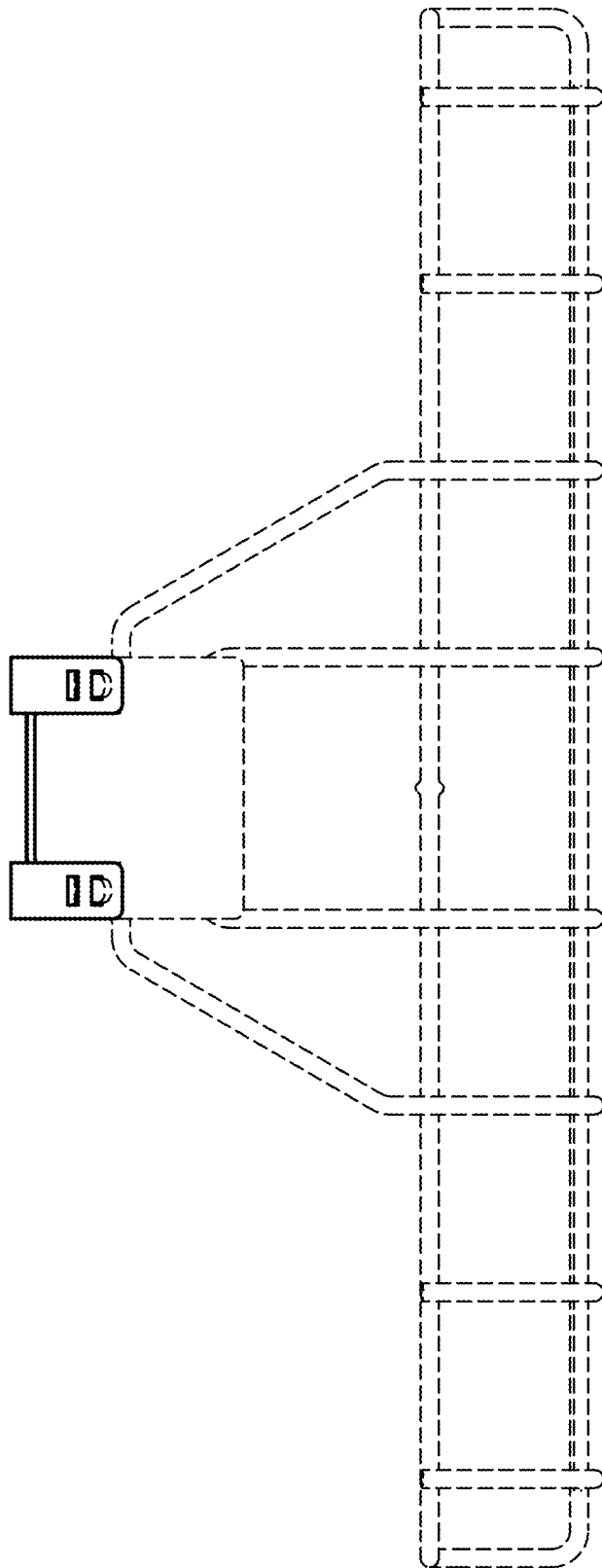


FIG.2

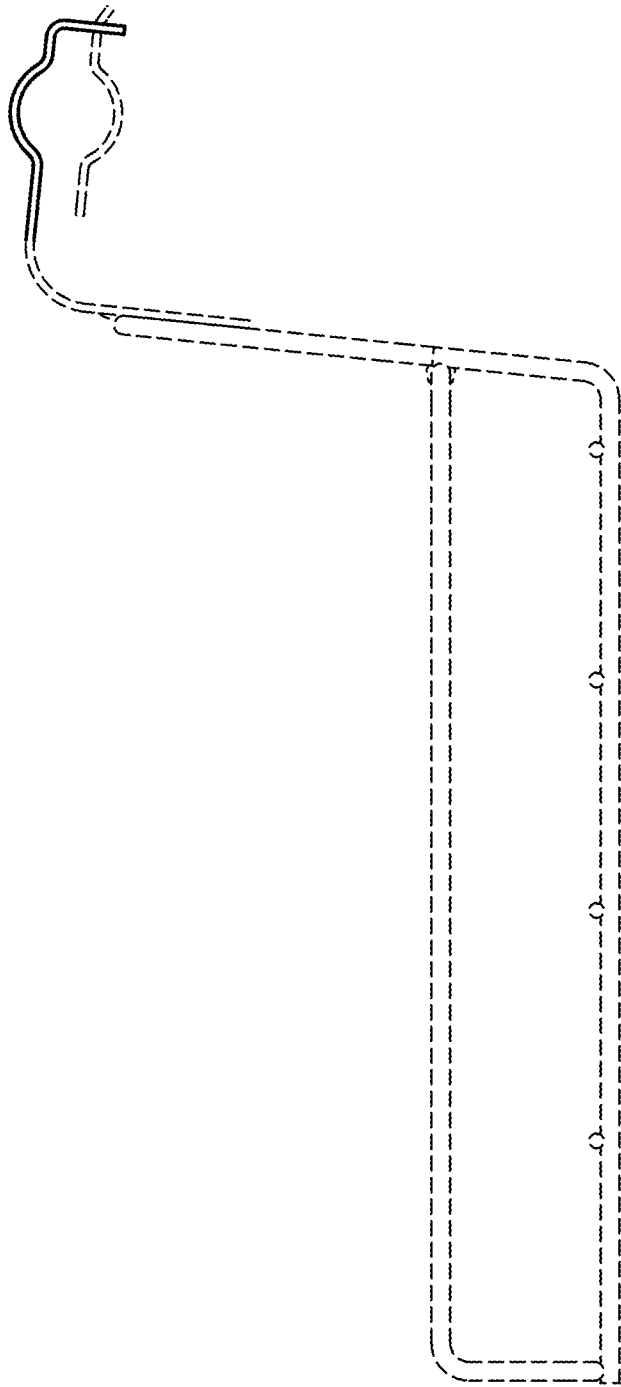


FIG.3

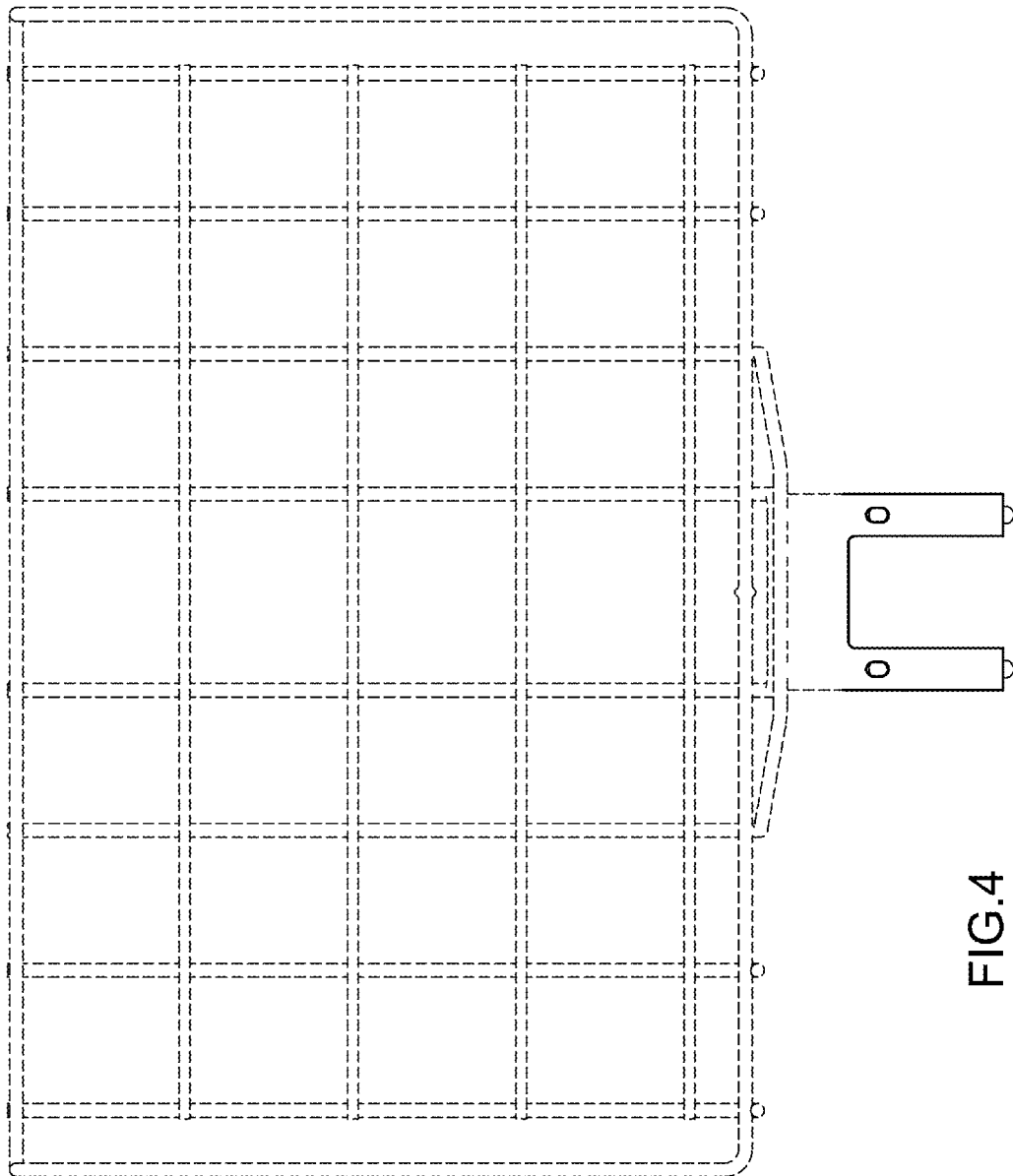


FIG.4