

[54] **REMOTE CONTROL**

[76] **Inventors: Henry C. Jenkins; Marilyn Jenkins,**  
 both of 2807 Player Ave.; **Myrtle Williams,**  
 2902 Coronada Pkwy., all  
 of Fayetteville, N.C. 28303

[\*\*] **Term: 14 Years**

[21] **Appl. No.: 857,813**

[22] **Filed: Apr. 28, 1986**

[52] **U.S. Cl. .... D14/218**

[58] **Field of Search ..... D14/1, 2, 10, 26, 68,**  
 D14/77, 84, 85, 95, 99; 358/194.1; 455/151,  
 352-355, 603; D13/32, 99, 12, 35, 38, 40, 41

[56] **References Cited**

**U.S. PATENT DOCUMENTS**

- D. 185,741 7/1959 De Jager ..... D14/85
- D. 211,352 6/1968 Bornschlegel ..... D14/85
- D. 217,620 5/1970 Dreyfuss ..... D14/85

- D. 263,466 3/1982 Hiraki ..... D14/85
- D. 266,416 10/1982 Hiraki ..... D14/85 X
- D. 275,753 10/1984 Mahan ..... D14/68 X
- D. 275,754 10/1984 Matsuda ..... D14/85
- 3,906,369 9/1975 Pitman ..... D14/85
- 4,712,105 12/1987 Köhler ..... 358/194.1 X
- 4,755,883 7/1988 Vehira ..... 358/194.1 X

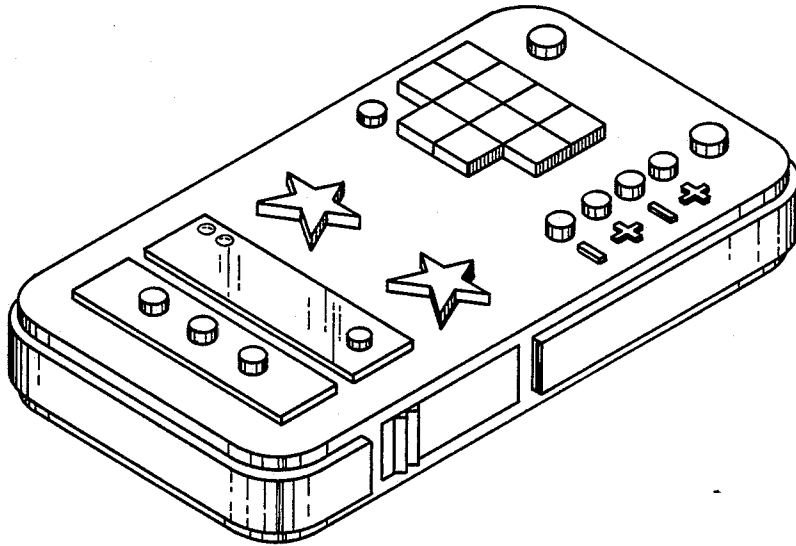
*Primary Examiner*—Bernard Ansher  
*Assistant Examiner*—Theodore M. Shooman  
*Attorney, Agent, or Firm*—Terry M. Gernstein

[57] **CLAIM**

The ornamental design for a remote control, as shown.

**DESCRIPTION**

FIG. 1 is a top, front and left side isometric view of a remote control showing our new design; FIG. 2 is a rear elevational view thereof; FIG. 3 is a bottom view thereof; FIG. 4 is a left side elevational view thereof; and FIG. 5 is a right side elevational view thereof.



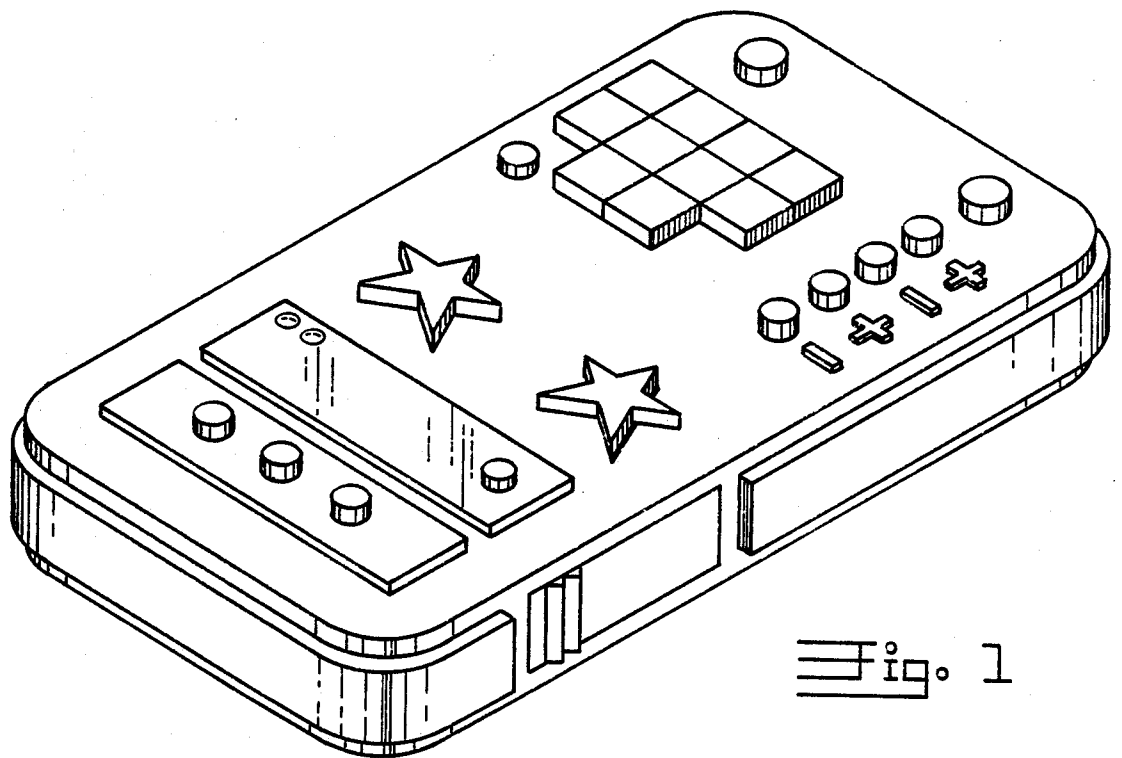


Fig. 1

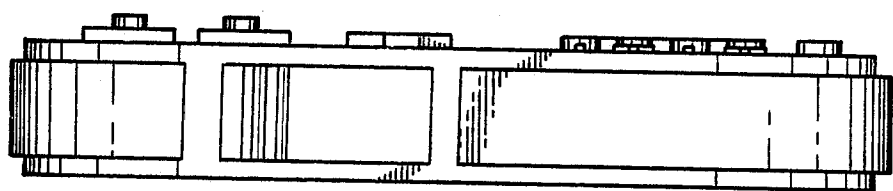


Fig. 2

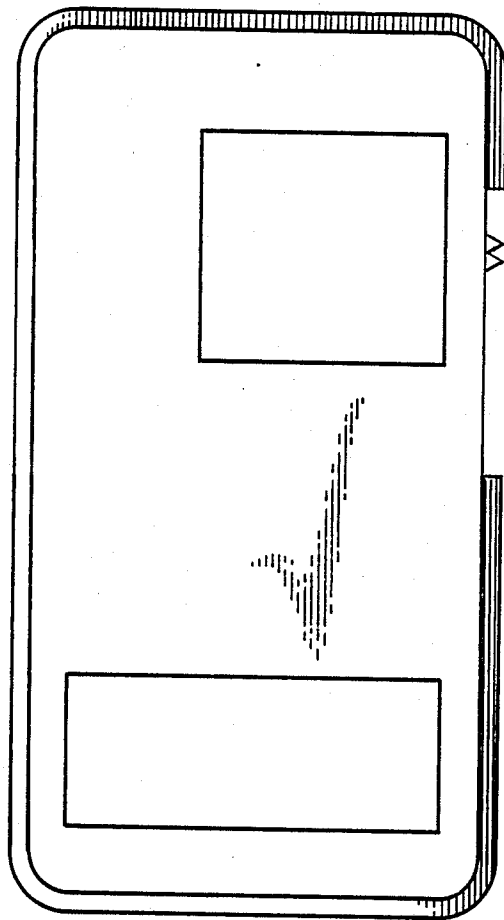


Fig. 3

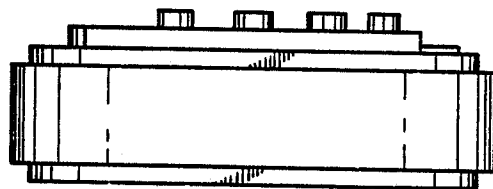


Fig. 4

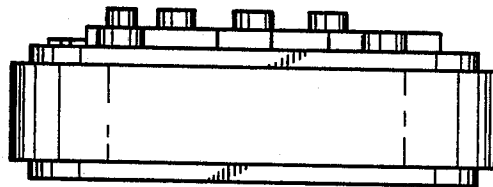


Fig. 5