



US00D880453S

(12) **United States Design Patent**  
**Walcott et al.**

(10) **Patent No.:** **US D880,453 S**  
(45) **Date of Patent:** **\*\* Apr. 7, 2020**

(54) **SPEAKER**  
(71) Applicant: **Dolby Laboratories Licensing Corporation**, San Francisco, CA (US)  
(72) Inventors: **Drew Walcott**, San Francisco, CA (US); **Grayson Byrd**, San Francisco, CA (US); **Peter Michaelian**, San Francisco, CA (US); **Brian Renz**, San Francisco, CA (US); **John Stewart**, San Francisco, CA (US); **Cody Proksa**, San Francisco, CA (US); **Vince Voron**, San Francisco, CA (US); **Sripal Mehta**, San Francisco, CA (US); **Alan Seefeldt**, San Francisco, CA (US)

2,918,568 A \* 12/1959 Steber ..... F21V 17/00  
362/410  
3,083,979 A \* 4/1963 Boyd ..... A63B 19/02  
280/78  
D203,003 S \* 11/1965 Spencer ..... D14/172  
3,240,456 A \* 3/1966 Hartman ..... H02G 3/266  
248/74.5  
D210,538 S \* 3/1968 Lahti ..... D14/213  
3,385,929 A \* 5/1968 Magyar ..... F16M 11/08  
381/300

(Continued)

**FOREIGN PATENT DOCUMENTS**

EM 006081873-0001 \* 1/2019  
EM 006081873-0002 \* 1/2019

(Continued)

*Primary Examiner* — Paula Allen Greene  
(74) *Attorney, Agent, or Firm* — McAndrews, Held & Malloy, Ltd.

(73) Assignee: **DOLBY LABORATORIES LICENSING CORPORATION**, San Francisco, CA (US)

(\*\*) Term: **15 Years**

(21) Appl. No.: **29/657,810**

(22) Filed: **Jul. 25, 2018**

(51) **LOC (12) Cl.** ..... **14-01**

(52) **U.S. Cl.**  
USPC ..... **D14/209.1; D14/228**

(58) **Field of Classification Search**  
USPC ..... D14/209.1, 204, 211, 215, 216, 224, D14/224.1, 225; 181/144, 148, 153, 157, 181/155, 198, 150, 199; 381/301, 302, 381/303, 306, 332, 334, 336, 345, 381/361–363, 386–388  
CPC ..... H04R 1/02; H04R 1/021; H04R 1/023; H04R 5/00; H04R 9/06; H04R 2420/07  
See application file for complete search history.

(56) **References Cited**

**U.S. PATENT DOCUMENTS**

2,646,240 A \* 7/1953 Anderson ..... B60R 13/00  
248/207  
D186,892 S \* 12/1959 Wilber ..... D14/211

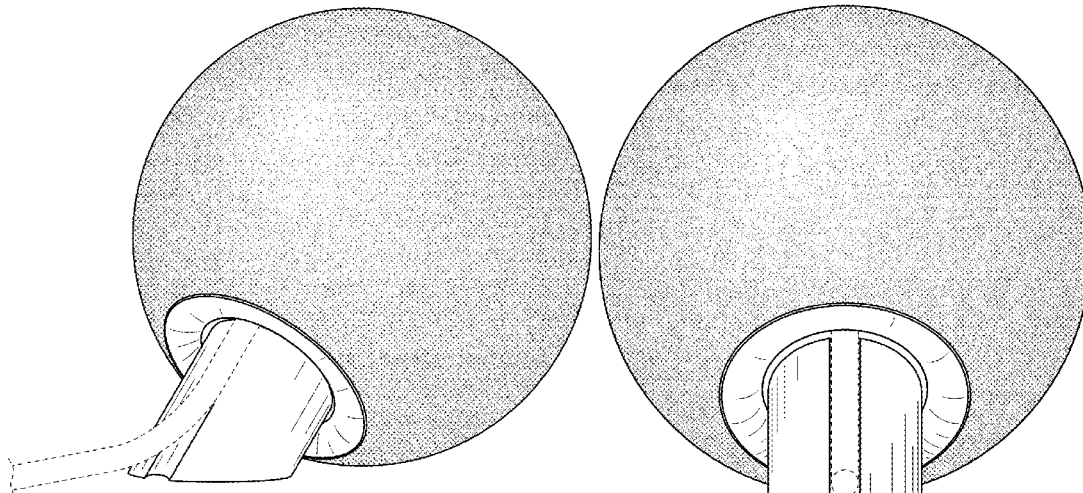
(57) **CLAIM**

The ornamental design for a speaker, as shown and described.

**DESCRIPTION**

FIG. 1 is a rear perspective view of a speaker showing our new design;  
FIG. 2 is a left side elevation view thereof;  
FIG. 3 is a right side elevation view thereof;  
FIG. 4 is a front elevation view thereof;  
FIG. 5 is a rear elevation view thereof;  
FIG. 6 is a top plan view thereof;  
FIG. 7 is a bottom plan view thereof; and,  
FIG. 8 is an exploded rear perspective view thereof.  
The dashed broken lines in the figures illustrate portions of the speaker that form no part of the claimed design.

**1 Claim, 5 Drawing Sheets**



(56)

References Cited

U.S. PATENT DOCUMENTS

3,435,910 A \* 4/1969 Lahti ..... H04R 1/021  
 181/152  
 D222,072 S \* 9/1971 Levitt ..... D14/211  
 3,720,787 A \* 3/1973 Ishii ..... H04R 1/02  
 381/336  
 3,812,301 A \* 5/1974 Lahti ..... G10K 11/28  
 381/341  
 4,052,564 A \* 10/1977 Propst ..... G10K 11/175  
 381/73.1  
 D281,066 S \* 10/1985 Humble ..... D14/215  
 4,563,542 A \* 1/1986 Pollack ..... H02G 3/266  
 174/68.3  
 4,953,223 A \* 8/1990 Householder ..... F16M 11/24  
 381/182  
 D349,704 S \* 8/1994 Tsing ..... D14/216  
 D395,715 S \* 6/1998 Queen ..... D26/24  
 D397,119 S \* 8/1998 Okon ..... D14/228  
 5,812,685 A \* 9/1998 Fujita ..... H04R 1/403  
 181/144  
 6,009,972 A \* 1/2000 Choi ..... H04R 1/345  
 181/153  
 D426,230 S \* 6/2000 De Iuliis ..... D14/216  
 D430,142 S \* 8/2000 Kuo ..... D14/211  
 D447,471 S \* 9/2001 Andre ..... D14/215  
 D466,887 S \* 12/2002 Lewis ..... D14/216  
 D487,737 S \* 3/2004 Lewis ..... D14/215  
 D499,666 S \* 12/2004 Ciaccia ..... D11/181  
 6,856,692 B2 \* 2/2005 Lin ..... H04R 1/026  
 181/199  
 D510,926 S \* 10/2005 Jerome ..... D14/168  
 D514,093 S \* 1/2006 Borsboom ..... D14/216  
 D519,112 S \* 4/2006 Yang ..... D14/228  
 7,068,801 B1 \* 6/2006 Stinson ..... H04R 1/406  
 381/160  
 D526,644 S \* 8/2006 Breit ..... D14/216  
 D552,054 S \* 10/2007 Pena Angarita ..... D14/496

D567,673 S \* 4/2008 Chu ..... D10/15  
 D573,135 S \* 7/2008 Laituri ..... D14/168  
 D597,532 S \* 8/2009 Wang ..... D14/211  
 7,840,013 B2 \* 11/2010 Dedieu ..... H04R 1/406  
 381/122  
 8,068,618 B2 \* 11/2011 Vollmer ..... H04R 1/42  
 181/153  
 D676,423 S \* 2/2013 Joseph ..... D14/216  
 D696,298 S \* 12/2013 Britt, Jr. .... D14/496  
 D703,193 S \* 4/2014 Trewartha ..... D14/225  
 8,989,420 B1 \* 3/2015 Hamer ..... H04R 1/02  
 381/122  
 D733,690 S \* 7/2015 Zukowski ..... D14/228  
 D744,977 S \* 12/2015 Wagner ..... D14/204  
 D765,617 S \* 9/2016 Mackiewicz ..... D14/216  
 D770,415 S \* 11/2016 Pellisari ..... D14/216  
 D789,906 S \* 6/2017 Zhang ..... D14/209.1  
 D793,363 S \* 8/2017 Zhang ..... D14/216  
 D808,936 S \* 1/2018 Cooper ..... D14/225  
 D813,191 S \* 3/2018 Pignotti ..... D14/204  
 D839,856 S \* 2/2019 Chen ..... D14/228  
 D851,073 S \* 6/2019 Tong ..... D14/227  
 D855,584 S \* 8/2019 Laine ..... D14/216  
 2006/0013411 A1 \* 1/2006 Lin ..... H04R 5/02  
 381/87  
 2007/0160246 A1 \* 7/2007 Vollmer ..... H04R 1/323  
 381/336  
 2008/0137880 A1 \* 6/2008 Mills ..... H04R 1/026  
 381/79  
 2010/0296686 A1 \* 11/2010 Machii ..... H04R 1/345  
 381/387  
 2014/0064543 A1 \* 3/2014 Zukowski ..... H04R 1/342  
 381/360

FOREIGN PATENT DOCUMENTS

EM 006081873-0003 \* 1/2019  
 EM 006081873-0004 \* 1/2019

\* cited by examiner

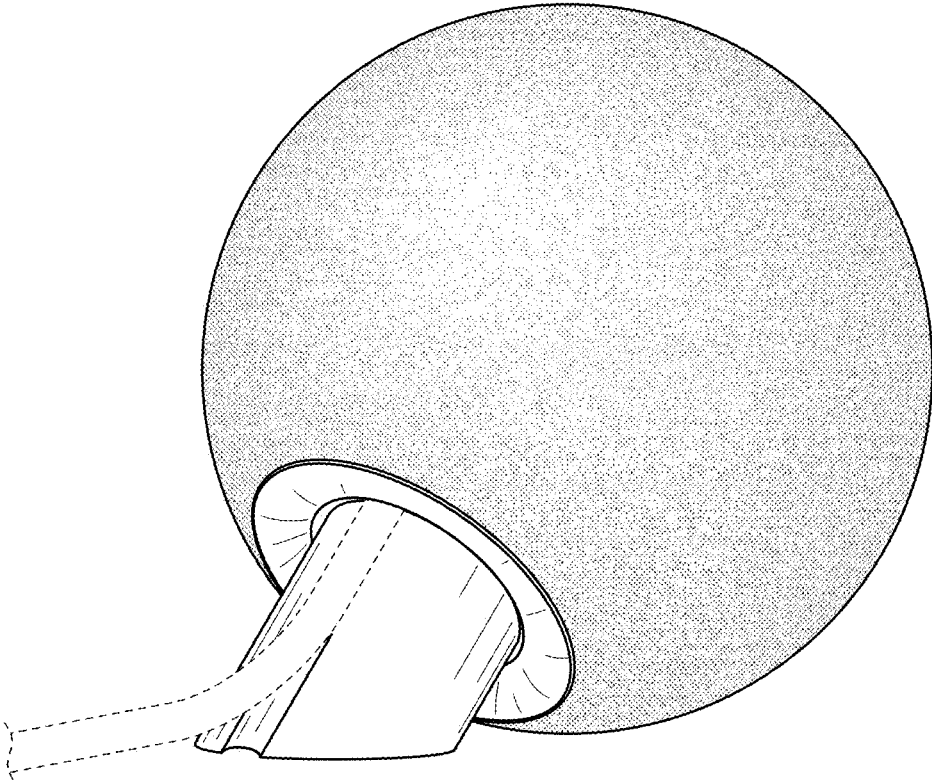


FIG. 1

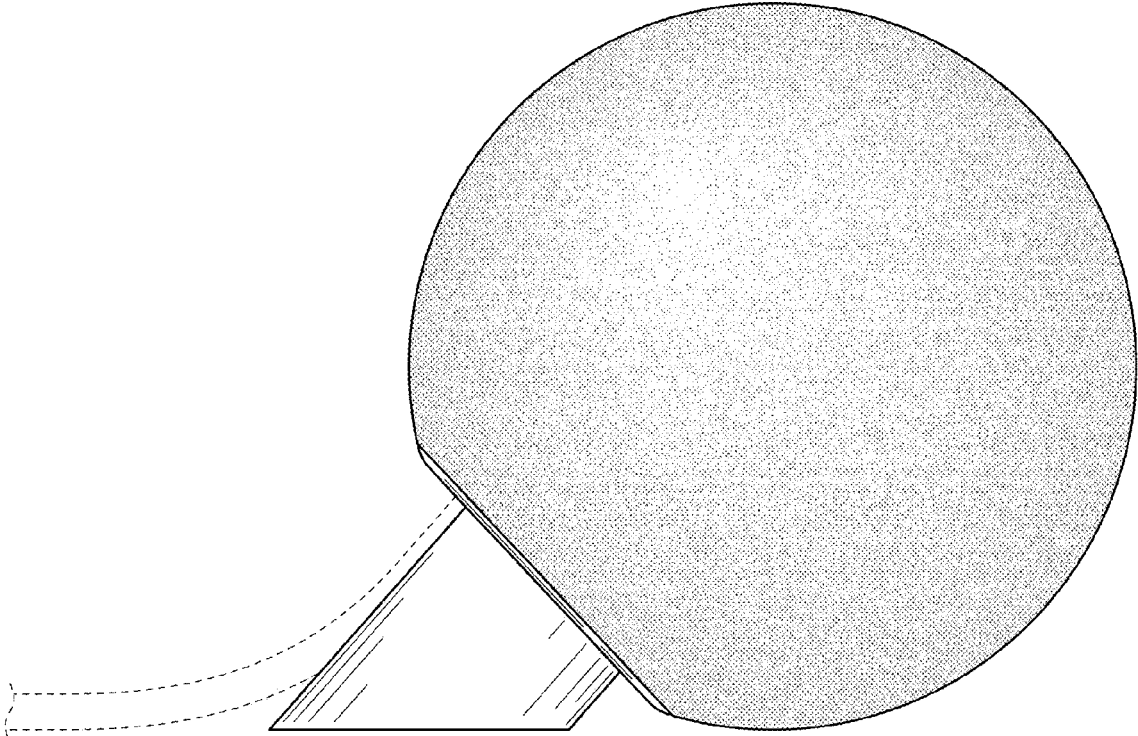


FIG. 2

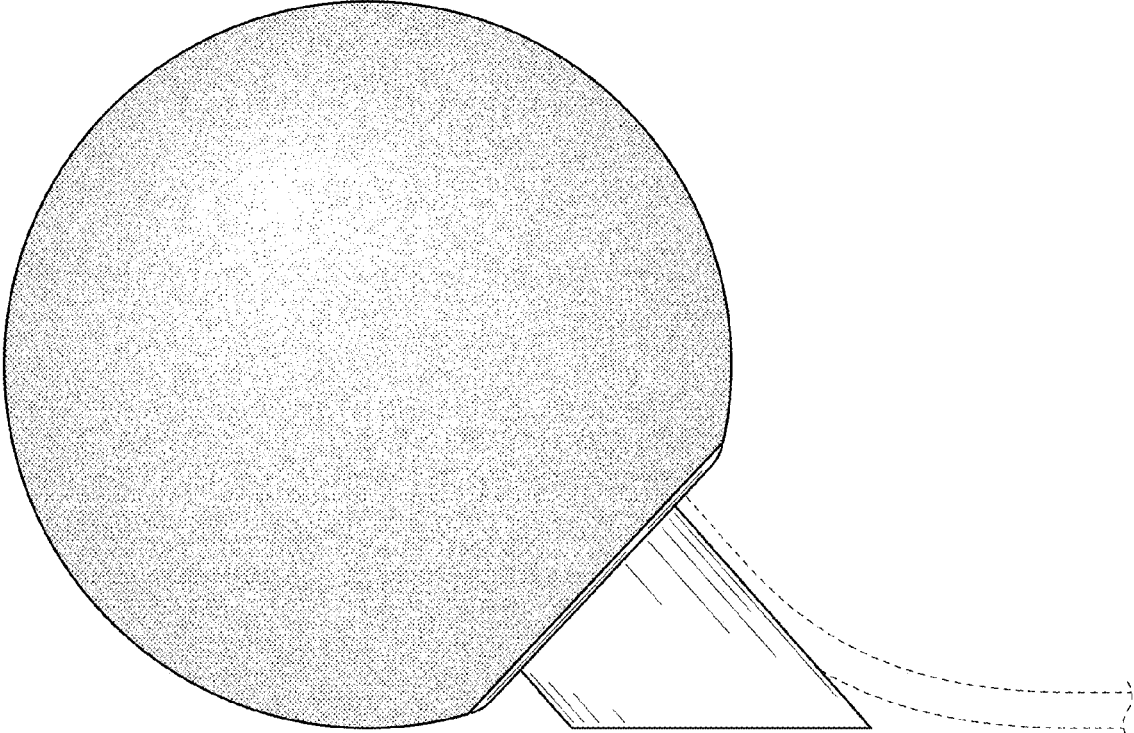


FIG. 3

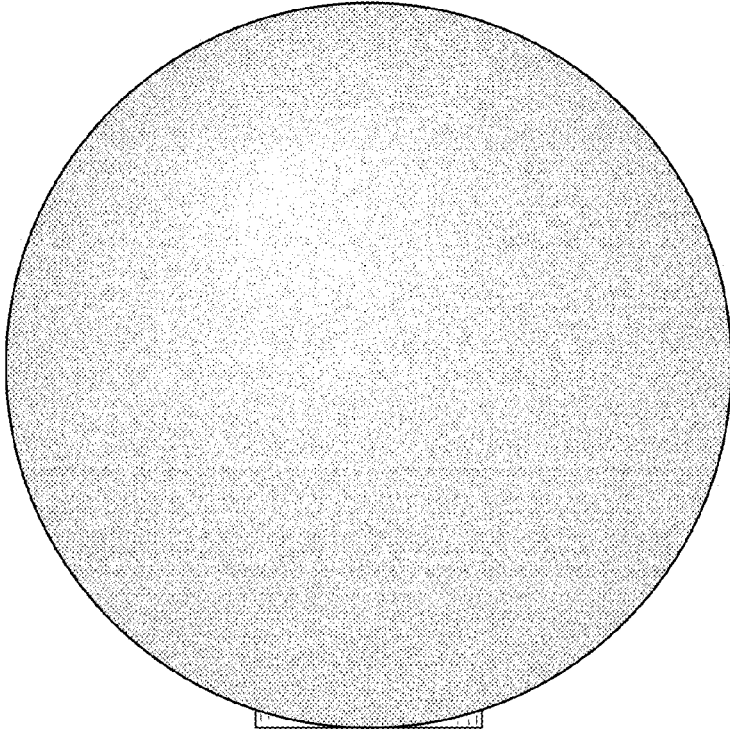


FIG. 4

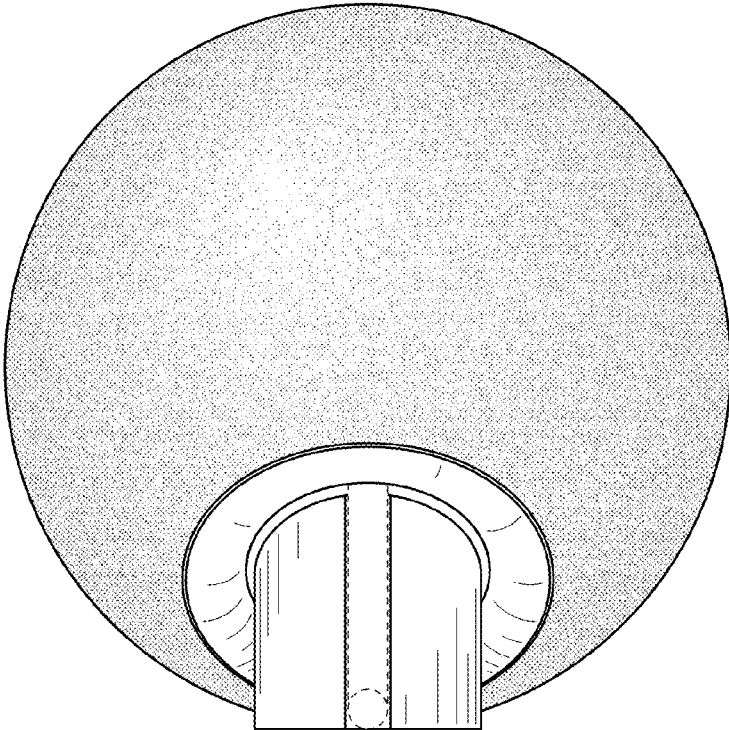


FIG. 5

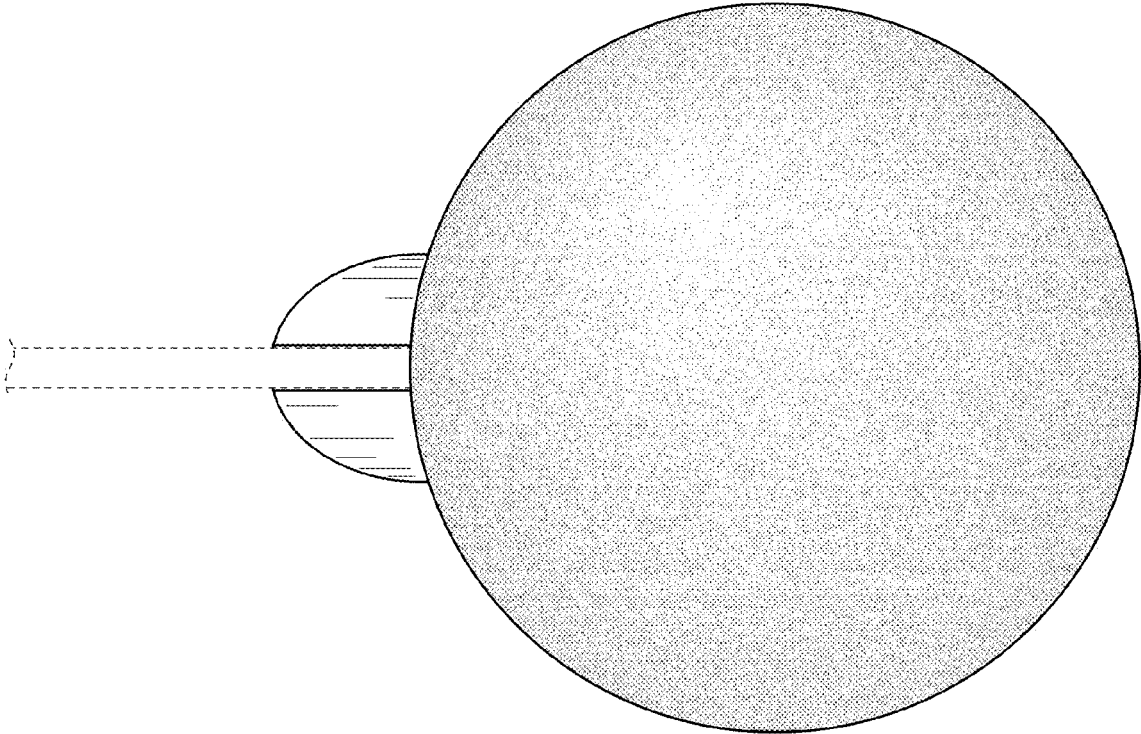


FIG. 6

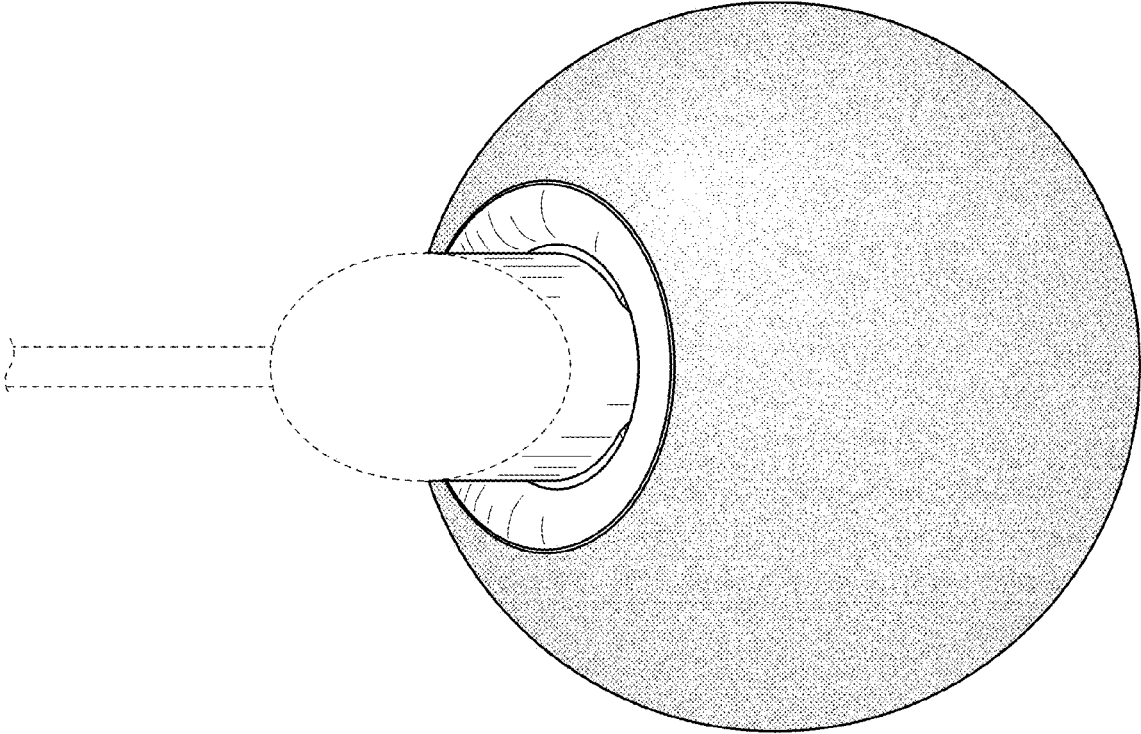


FIG. 7

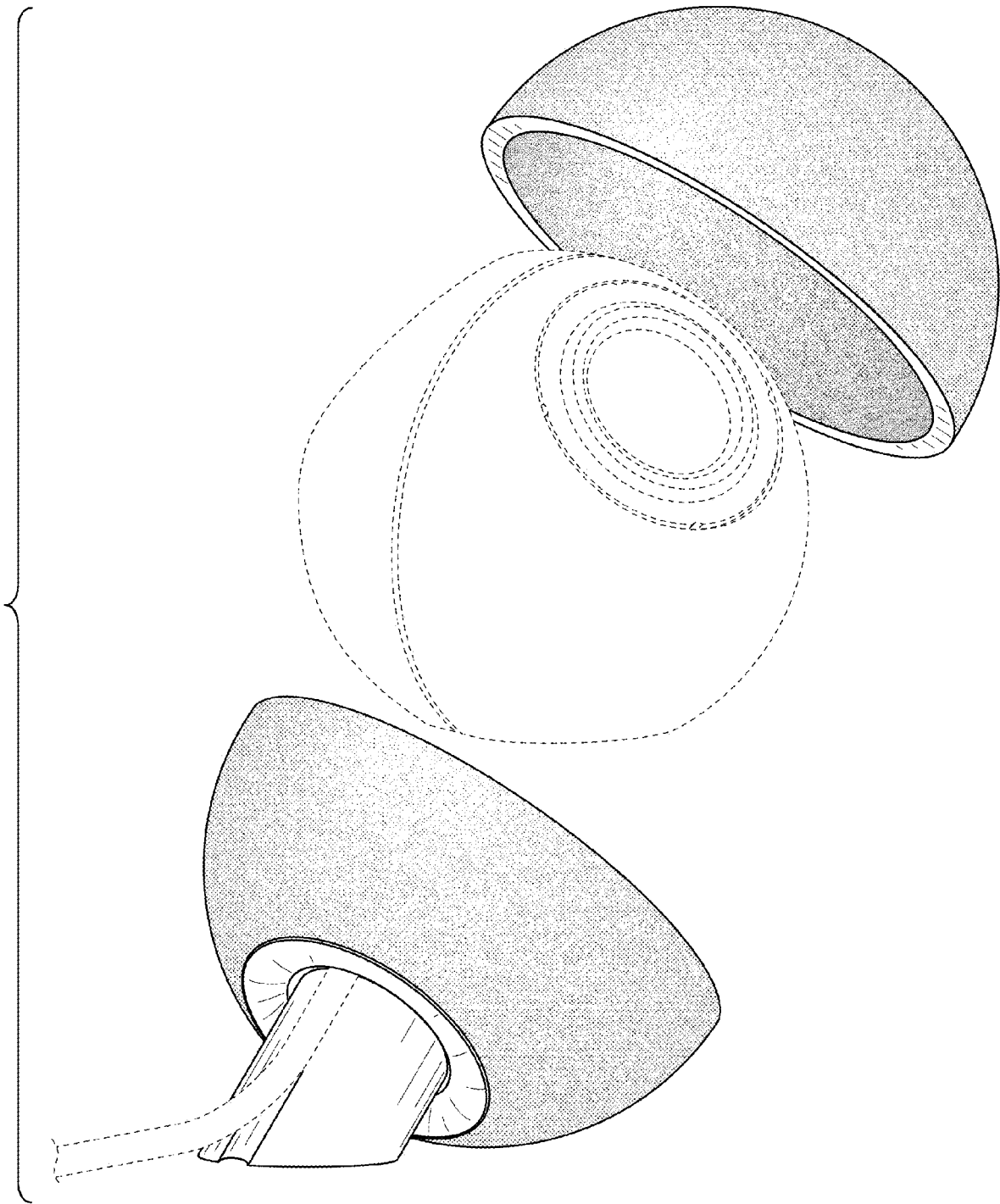


FIG. 8