



US00D904150S

(12) **United States Design Patent**
Seferi

(10) **Patent No.:** **US D904,150 S**

(45) **Date of Patent:** **** Dec. 8, 2020**

- (54) **HUB FOR CUTTING DEVICE**
- (71) Applicant: **Acme United Corporation**, Fairfield, CT (US)
- (72) Inventor: **Nicholas L. Seferi**, Southbury, CT (US)
- (73) Assignee: **Acme United Corporation**, Fairfield, CT (US)

8,555,754	B2 *	10/2013	Chen	B25B 7/18	81/416
D701,738	S *	4/2014	Forsell	D8/57	
D717,623	S	11/2014	Savolainen et al.	D8/57	
D721,935	S *	2/2015	Farnworth	D8/57	
D722,851	S *	2/2015	Constantine	D8/52	
D828,737	S *	9/2018	Constantine	D8/52	
D863,010	S *	10/2019	Racamier	D8/57	
D879,571	S *	3/2020	Thomas	D8/52	
2019/0270208	A1 *	9/2019	Seferi	B26B 13/28	
2019/0270209	A1 *	9/2019	Seferi	B26B 13/20	

(**) Term: **15 Years**

* cited by examiner

(21) Appl. No.: **29/638,846**

Primary Examiner — Deanna L Pratt

(22) Filed: **Mar. 1, 2018**

(74) *Attorney, Agent, or Firm* — Alix, Yale & Ristas, LLP

(51) **LOC (12) Cl.** **08-03**

(57) **CLAIM**

(52) **U.S. Cl.**
USPC **D8/57**

The ornamental design for a hub for cutting device, as shown and described.

(58) **Field of Classification Search**
USPC D8/4, 5, 51-58
CPC B26B 13/28
See application file for complete search history.

DESCRIPTION

(56) **References Cited**

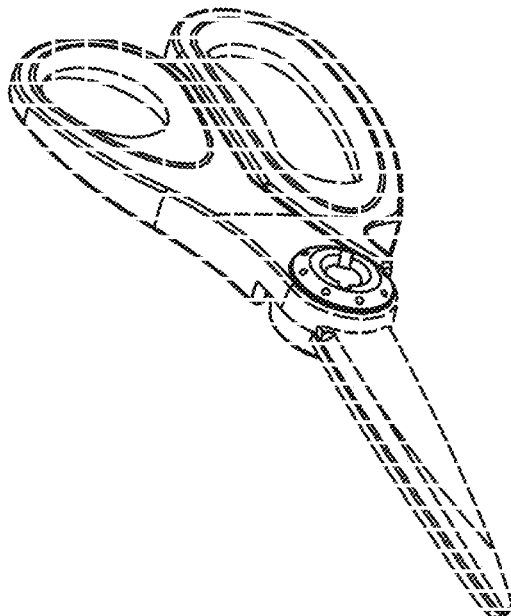
U.S. PATENT DOCUMENTS

2,640,262	A *	6/1953	Spon	A01G 3/02	30/270
D335,807	S *	5/1993	Birkholz	D8/57	
5,319,854	A *	6/1994	Pracht	B26B 13/28	
					30/194
D409,465	S *	5/1999	Olix	D8/57	
D442,046	S *	5/2001	Huang	D8/57	
D522,331	S *	6/2006	Peterson	D8/57	
D548,555	S *	8/2007	Brady	D8/52	
D571,169	S *	6/2008	Pollock	D8/5	
7,454,838	B2	11/2008	Gianola		
D591,123	S *	4/2009	Peterson	D8/57	
7,640,667	B2 *	1/2010	Pollock	A01G 3/02	30/267

FIG. 1 is a perspective of a hub for cutting device showing the new design;
 FIG. 2 is a front view thereof;
 FIG. 3 is a rear view thereof;
 FIG. 4 is a left side view thereof;
 FIG. 5 is a right side view thereof;
 FIG. 6 is an enlarged top plan view thereof;
 FIG. 7 is an enlarged bottom plan view thereof;
 FIG. 8 is a front view thereof showing various section lines;
 FIG. 9 is an enlarged sectional view taken along the line A-A of FIG. 8; and,
 FIG. 10 is an enlarged sectional view taken along the line B-B of FIG. 8.

The portions shown in broken lines show the preferred application in connection with a pair of scissors and the broken line portions form no part of the design thereof.

1 Claim, 7 Drawing Sheets



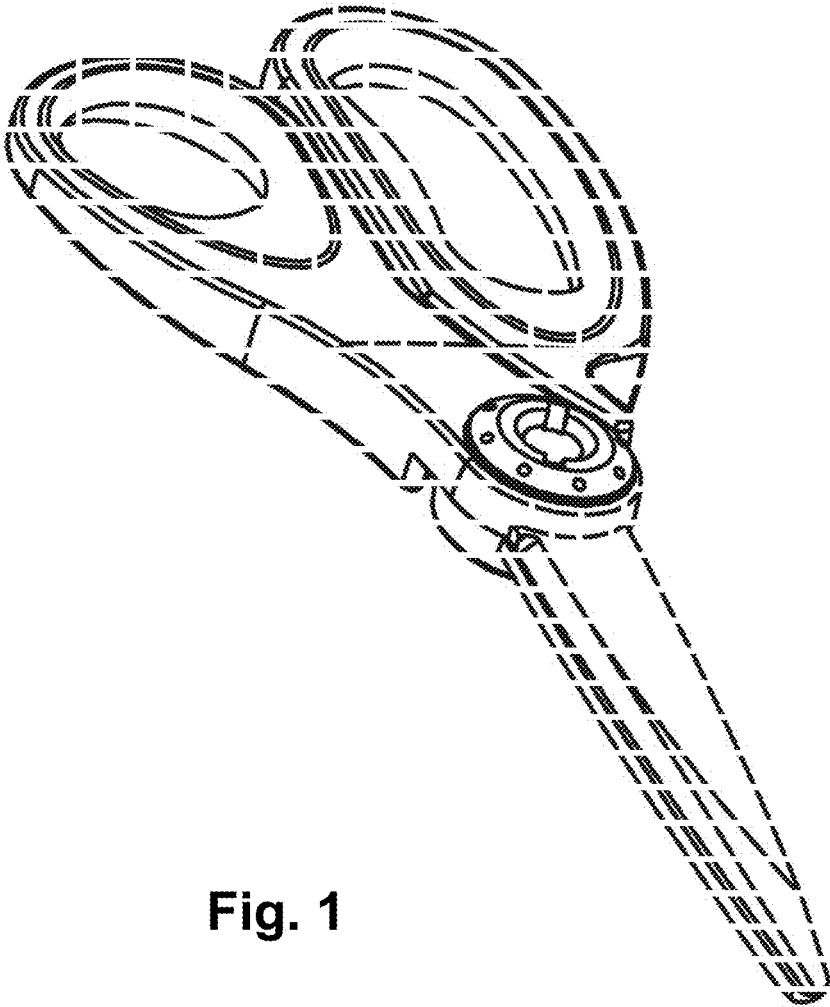


Fig. 1

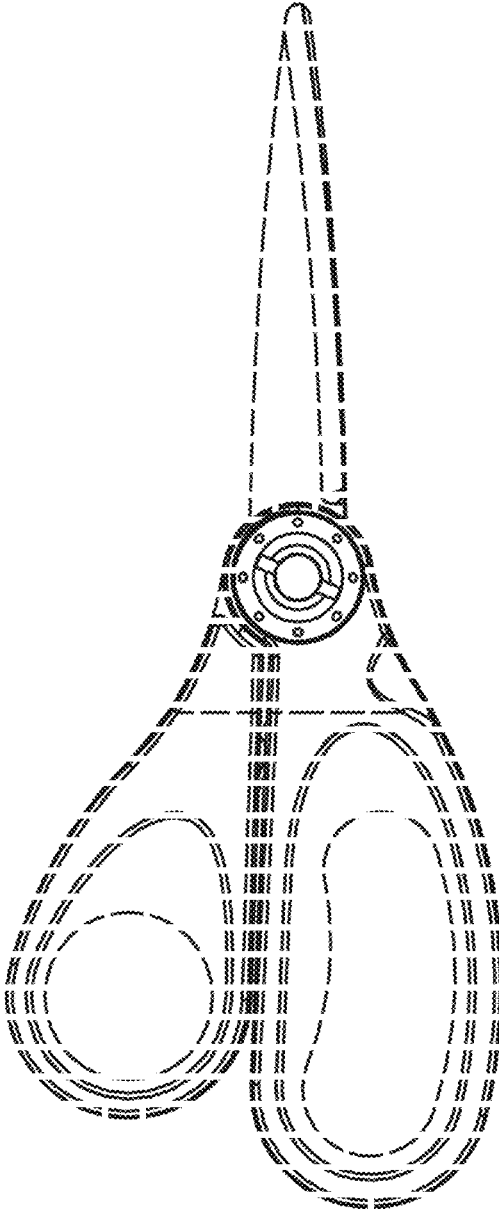


Fig. 2

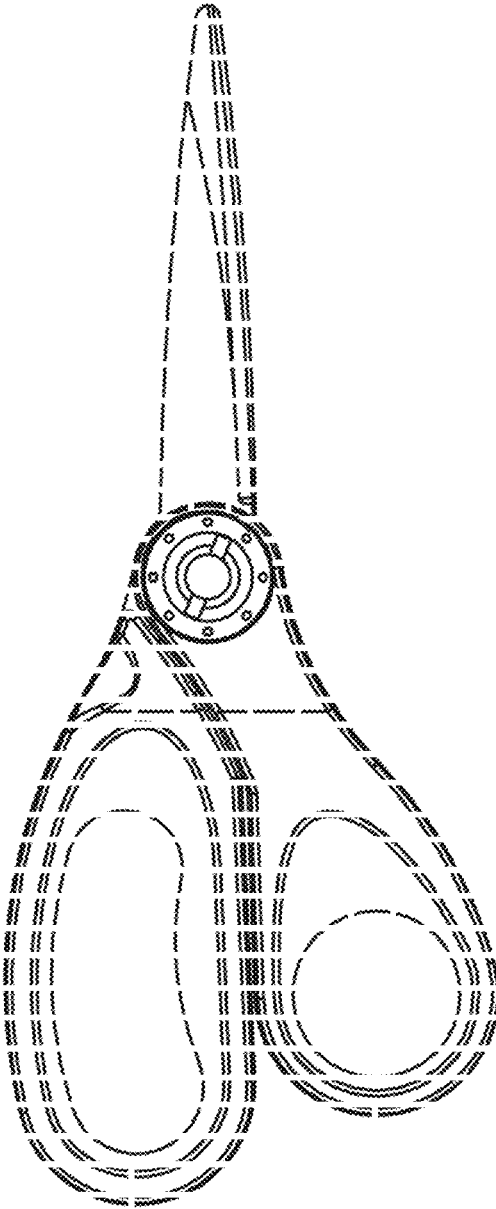


Fig. 3

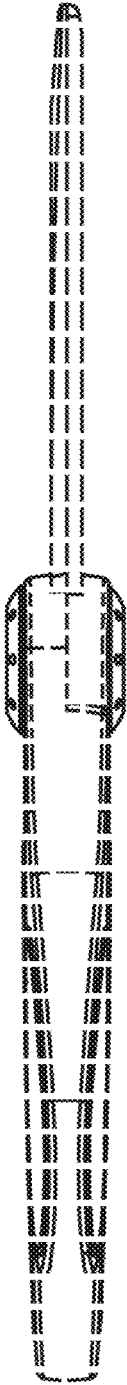


Fig. 4

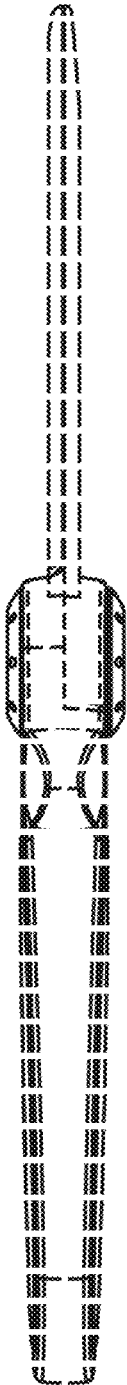


Fig. 5

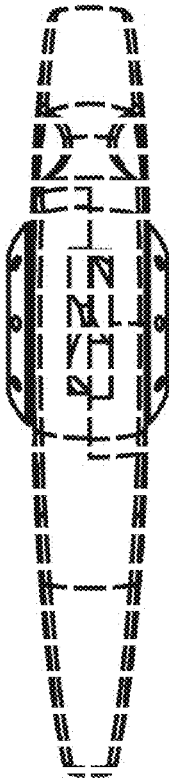


Fig. 6

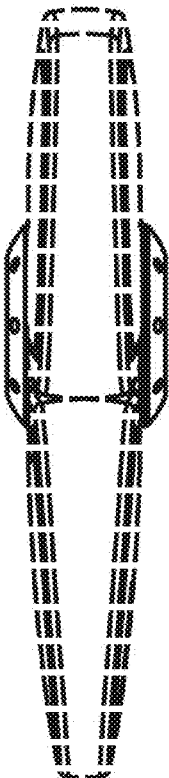


Fig. 7

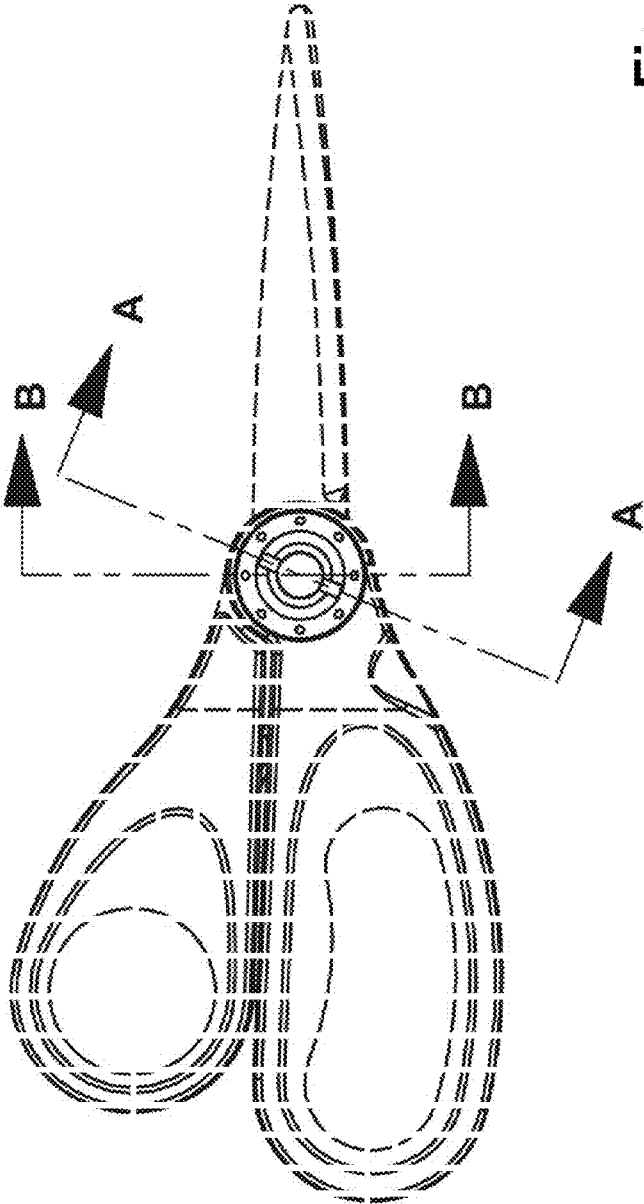


Fig. 8

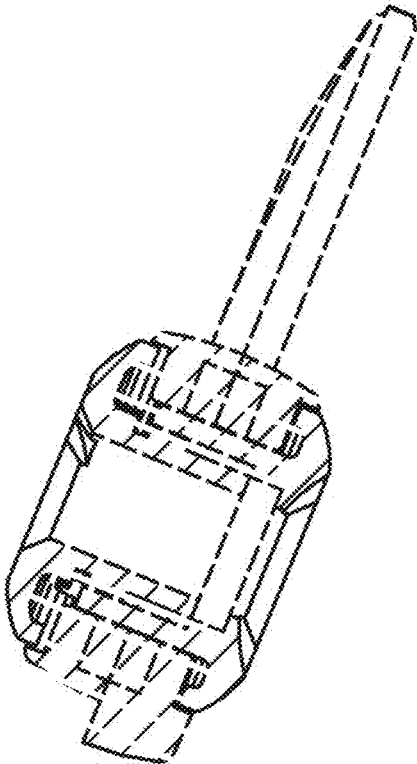


Fig. 9

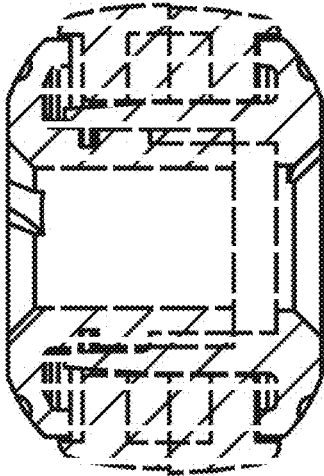


Fig. 10