



US0D1033092S

(12) **United States Design Patent**
Weldon et al.

(10) **Patent No.:** **US D1,033,092 S**

(45) **Date of Patent:** **** Jul. 2, 2024**

(54) **FOOTBALL DISPLAY CASE**

(71) Applicant: **INDUCOMP Corporation**, Pacific, MO (US)

(72) Inventors: **John T. Weldon**, Pacific, MO (US); **David Day**, Union, MO (US)

(73) Assignee: **INDUCOMP Corporation**, Pacific, MO (US)

(**) Term: **15 Years**

(21) Appl. No.: **29/761,244**

(22) Filed: **Dec. 8, 2020**

(51) **LOC (14) Cl.** **20-02**

(52) **U.S. Cl.**
USPC **D6/672**

(58) **Field of Classification Search**
USPC D6/300, 301, 314, 552, 661, 668, 672, D6/673, 675, 678, 680.2, 682, 682.1, 683; D9/418, 432, 436, 445, 454, 503, 668; D3/304, 315; D15/79, 81; D19/76; D26/51, 118; D30/101; D20/10; D99/5, D99/17; D21/686; D28/83
CPC A61G 17/00; A63B 22/0605; A47F 3/08; A47F 3/004; A47F 7/0057; A47F 2007/0092
See application file for complete search history.

D252,831 S * 9/1979 Sovaiko D26/51
D317,838 S * 7/1991 Millet D6/661.3
D325,483 S * 4/1992 Muhlack D6/661.3
5,487,600 A * 1/1996 Griffin A47F 7/02
211/85.2
D370,372 S * 6/1996 Kraft D6/680.2
D378,057 S * 2/1997 Dikowitz D9/418
D405,628 S * 2/1999 Terrana D6/661.3
5,918,393 A 7/1999 Martell
D525,127 S * 7/2006 Cogley D9/456
D620,797 S * 8/2010 Waaland D9/454
D641,258 S * 7/2011 Wilson D9/418
D666,908 S 9/2012 Dabah et al.
D670,935 S * 11/2012 Weldon B65D 43/0235
D6/661.3
D801,810 S * 11/2017 Engel D7/396.2
D803,051 S * 11/2017 Engel D9/452
D825,227 S * 8/2018 Goh D6/675
D830,174 S * 10/2018 Takezawa D9/450
D831,134 S * 10/2018 Hillson D21/686
D831,483 S * 10/2018 Tseng D7/396.2
D836,436 S * 12/2018 Engel D7/392.1

(Continued)

Primary Examiner — Nathan M Johnston
(74) Attorney, Agent, or Firm — Stinson LLP

(57) **CLAIM**

The ornamental design for a football display case, as shown and described.

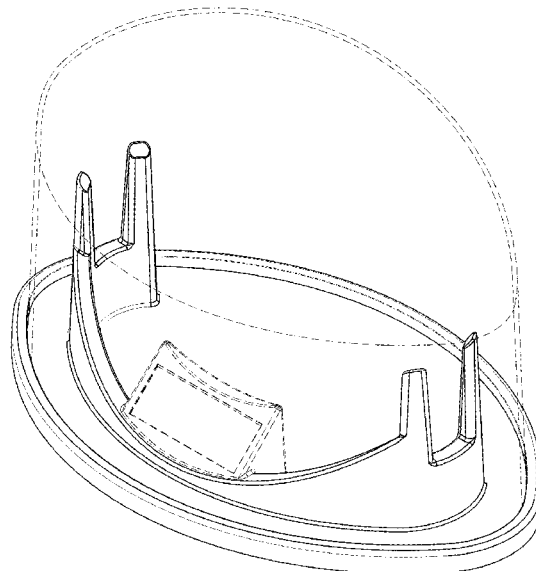
DESCRIPTION

FIG. 1 is a perspective of a football display case showing our new design;
FIG. 2 is a front view of the display case;
FIG. 3 is a right side view of the display case;
FIG. 4 is a top plan view of the display case;
FIG. 5 is a rear view of the display case;
FIG. 6 is a left side view of the display case; and,
FIG. 7 is a bottom plan view of the display case.
The elements shown in phantom form no part of the claimed design.

1 Claim, 7 Drawing Sheets

(56) **References Cited**
U.S. PATENT DOCUMENTS

D98,914 S 3/1936 Briscoe
D129,960 S * 10/1941 Derham D9/503
3,269,578 A * 8/1966 Lewis A01G 13/04
434/297
3,374,771 A 3/1968 Michie et al.
3,405,984 A 10/1968 Clark
D252,588 S * 8/1979 Spinner D25/19



(56)

References Cited

U.S. PATENT DOCUMENTS

D845,128	S *	4/2019	Eickhoff	D9/453
D850,260	S *	6/2019	Eickhoff	D9/454
D899,252	S *	10/2020	Wang	D9/454
11,672,360	B2 *	6/2023	Day	B65D 43/0208
					206/315.9
2018/0055249	A1 *	3/2018	Goh	A47F 3/145

* cited by examiner

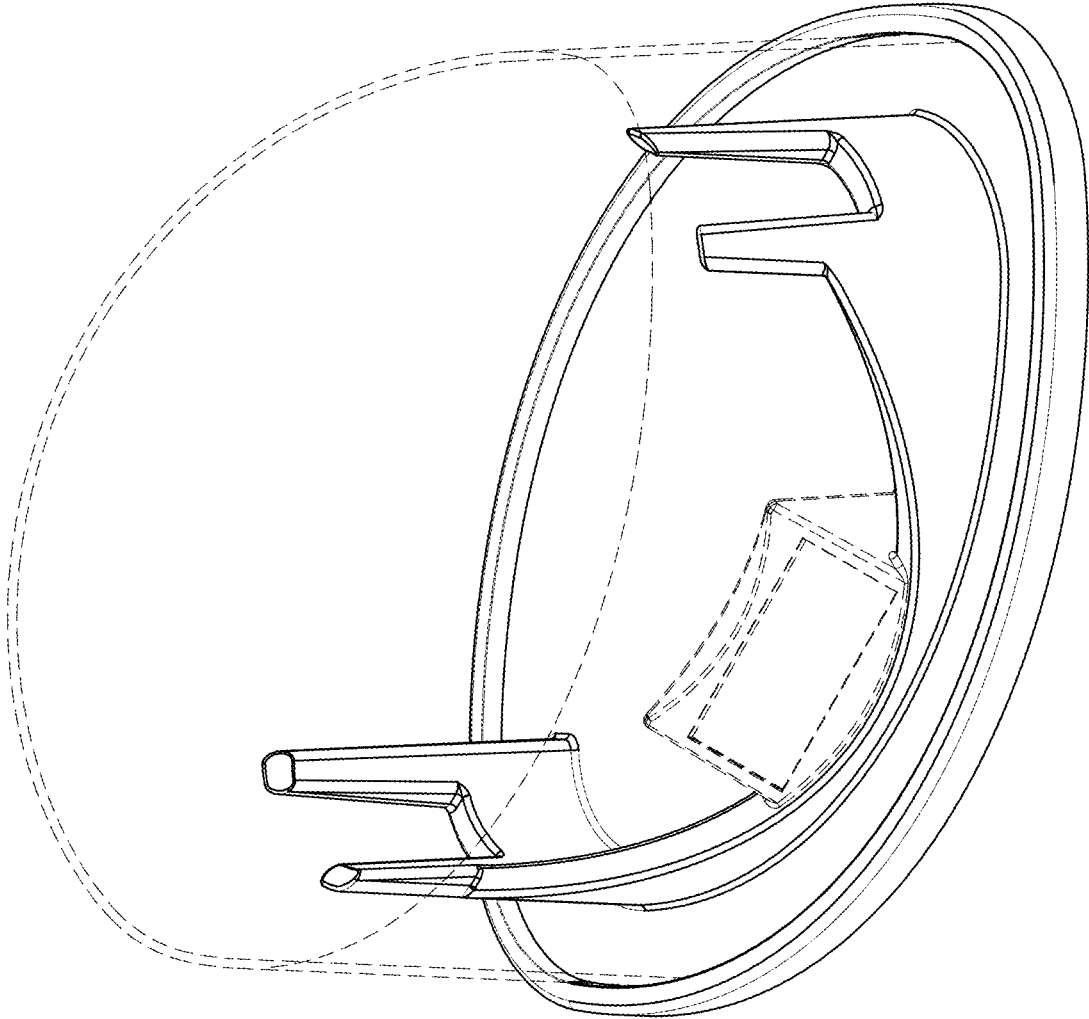


FIG. 1

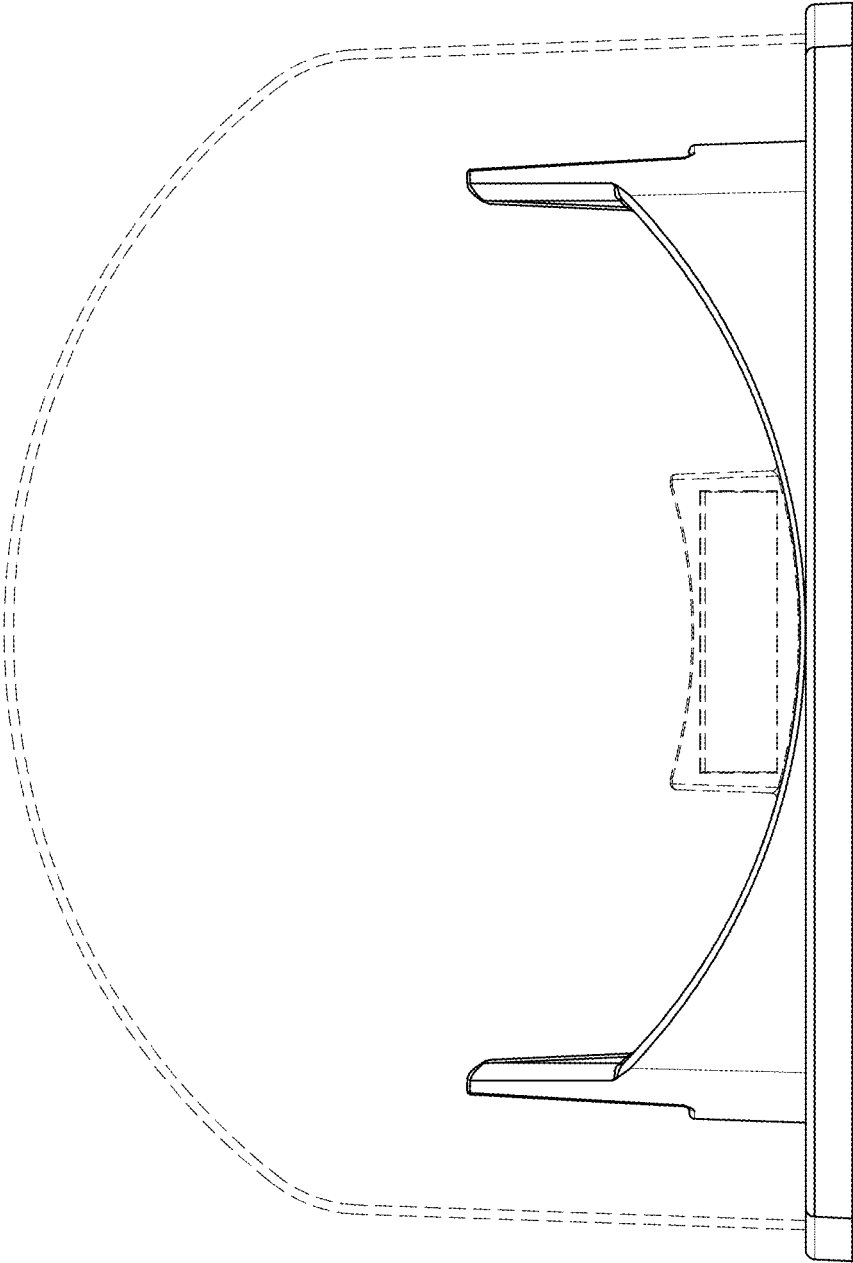
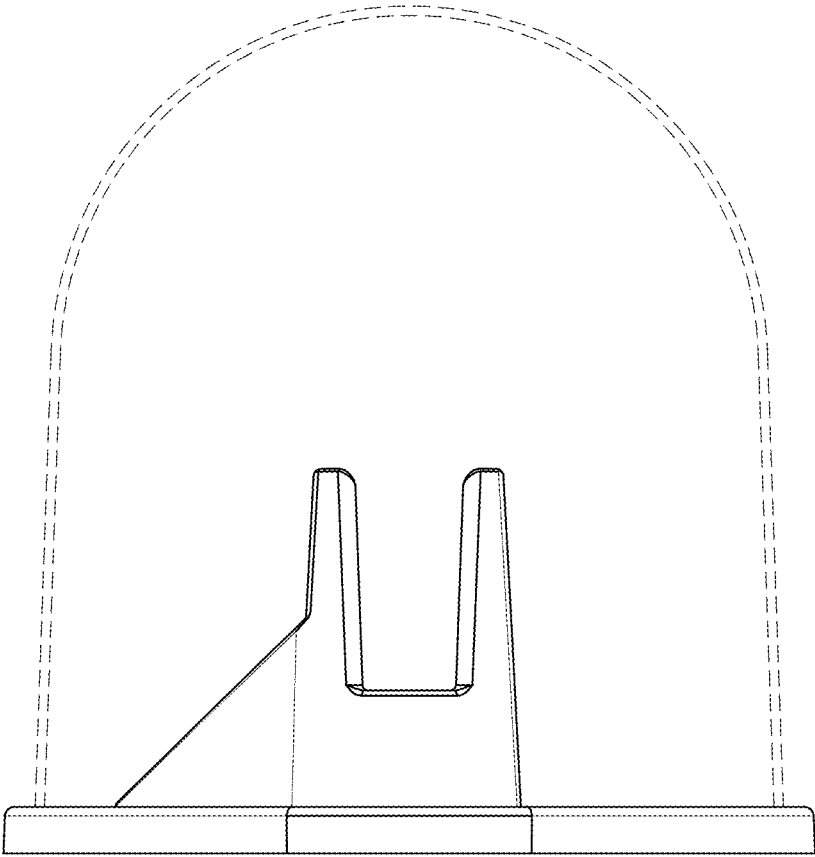


FIG. 2

FIG. 3



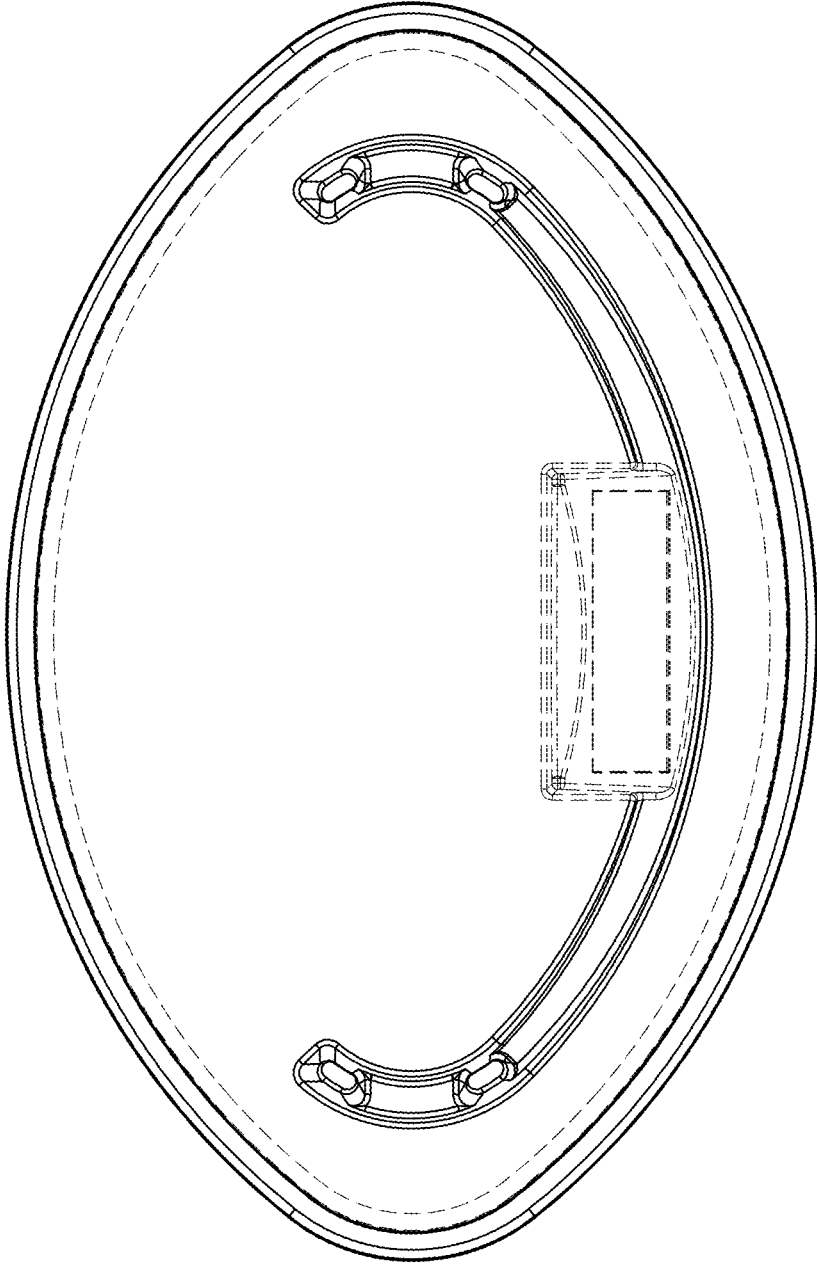


FIG. 4

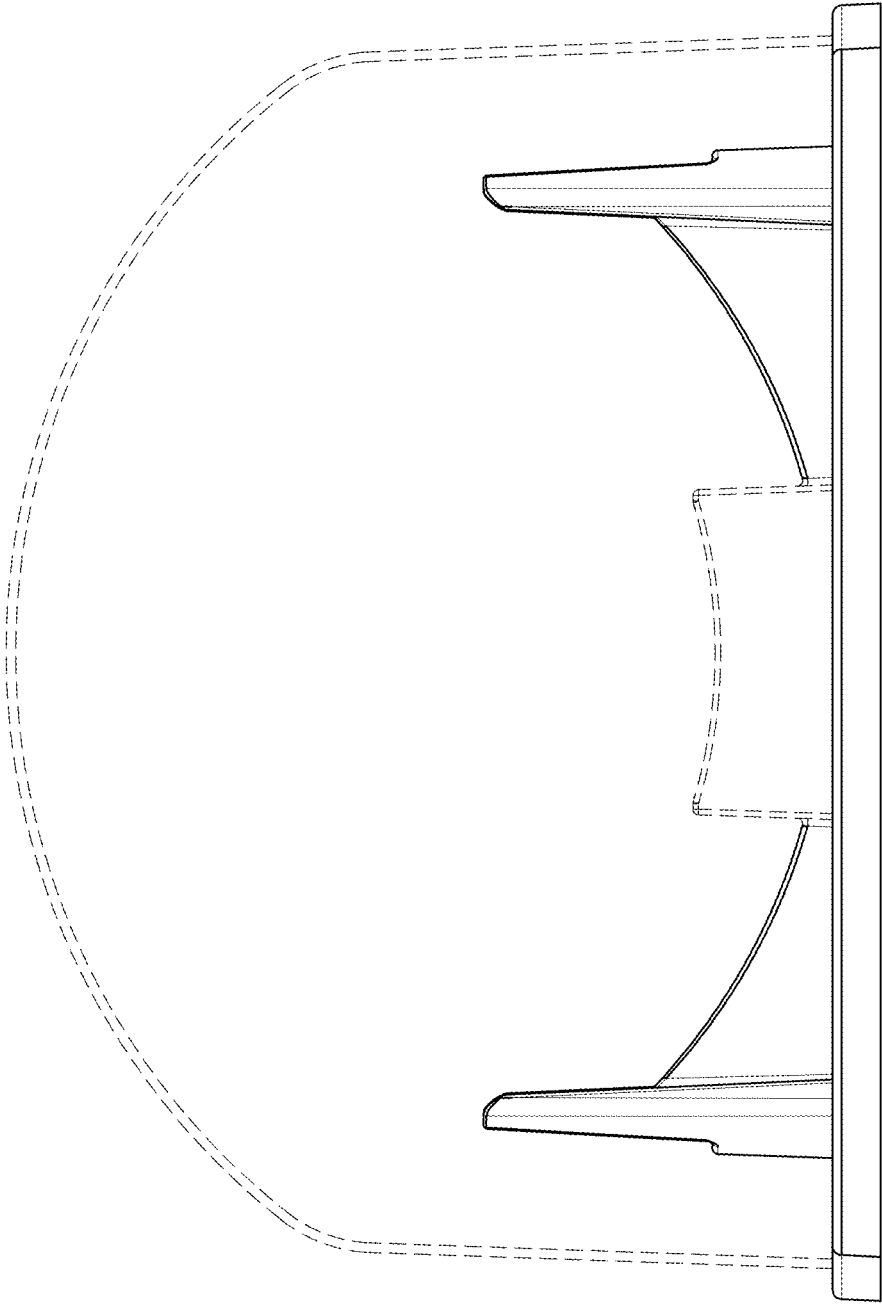
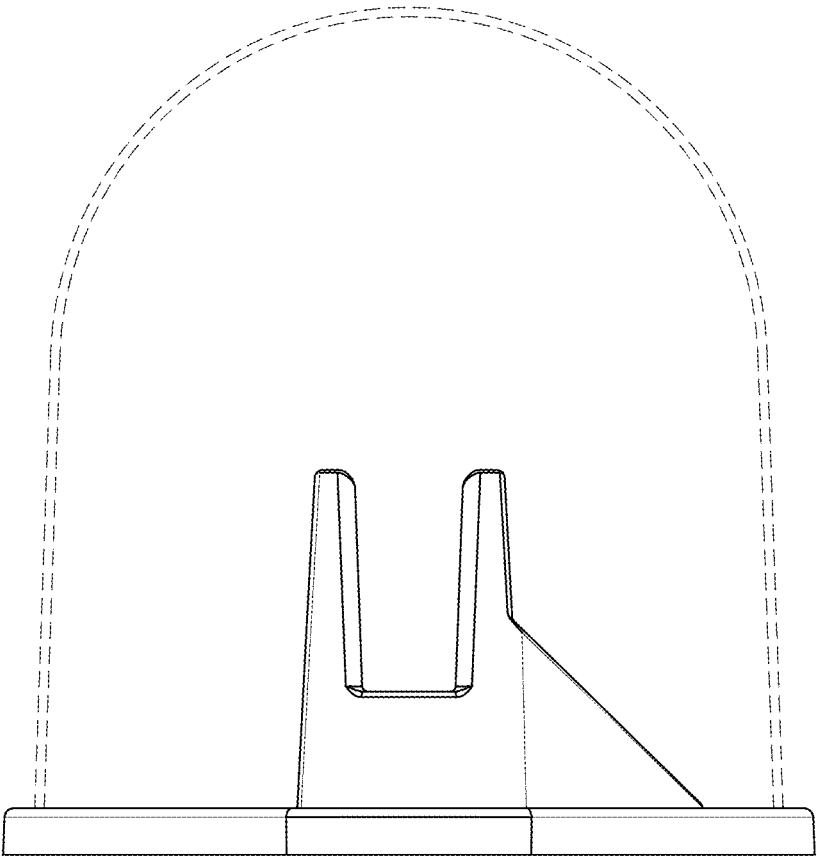


FIG. 5

FIG. 6



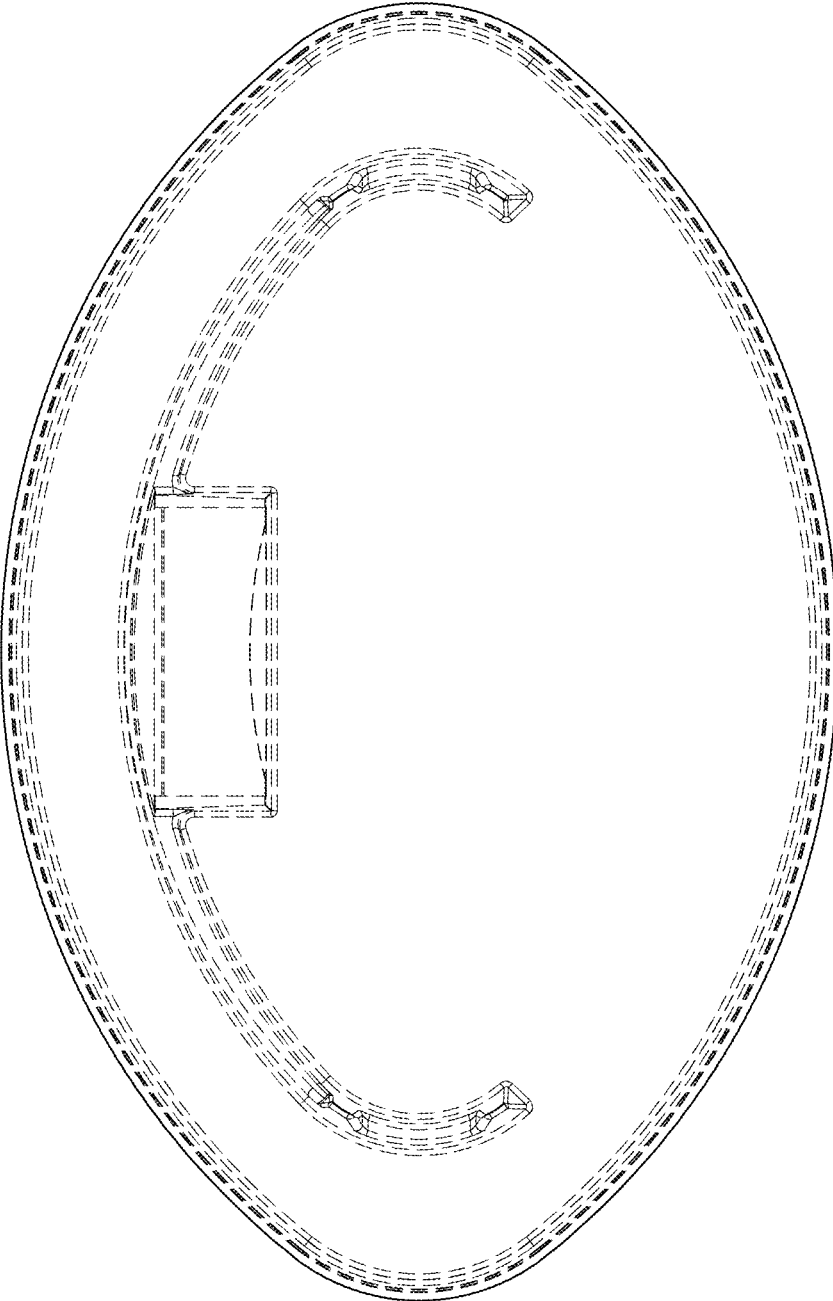


FIG. 7