



US00D465504S

(12) **United States Design Patent**
Van Klinken

(10) **Patent No.:** **US D465,504 S**

(45) **Date of Patent:** **** Nov. 12, 2002**

(54) **OBSERVATION/SECURITY CAMERA**

5,032,919 A * 7/1991 Randmae 348/374

D339,365 S * 9/1993 Urcuilio D16/203

D441,386 S * 5/2001 Yamazaki D16/203

D447,504 S * 9/2001 Horikiri D16/218

(75) Inventor: **Dido Van Klinken**, Eindhoven (NL)

(73) Assignee: **Koninklijke Philips Electronics N.V.**,
Eindhoven (NL)

* cited by examiner

(**) Term: **14 Years**

Primary Examiner—Adir Aronovich

(74) *Attorney, Agent, or Firm*—Ernestine C. Bartlett

(21) Appl. No.: **29/151,881**

(57) **CLAIM**

(22) Filed: **Dec. 11, 2001**

The ornamental design for an observation/security camera,
as shown.

(30) **Foreign Application Priority Data**

DESCRIPTION

Jun. 21, 2001 (XH) DMA/005 360

(51) **LOC (7) Cl.** **16-01**

FIG. 1 is a perspective view showing my design;

(52) **U.S. Cl.** **D16/203**

FIG. 2 is a front elevational view thereof;

(58) **Field of Search** D16/200–204,

FIG. 3 is a rear elevational view thereof;

D16/208, 218; 348/373–376, 143, 151;

FIG. 4 is a left side elevational view thereof;

396/427

FIG. 5 is a right side elevational view thereof;

(56) **References Cited**

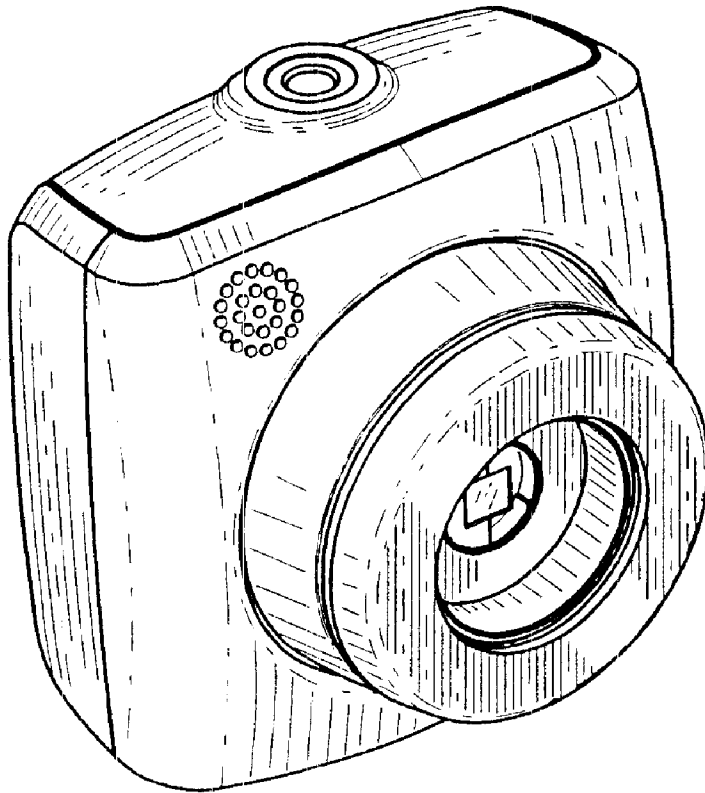
FIG. 6 is a top plan view thereof; and,

FIG. 7 is a bottom plan view thereof.

U.S. PATENT DOCUMENTS

D220,406 S * 4/1971 Hardy D16/203

1 Claim, 3 Drawing Sheets



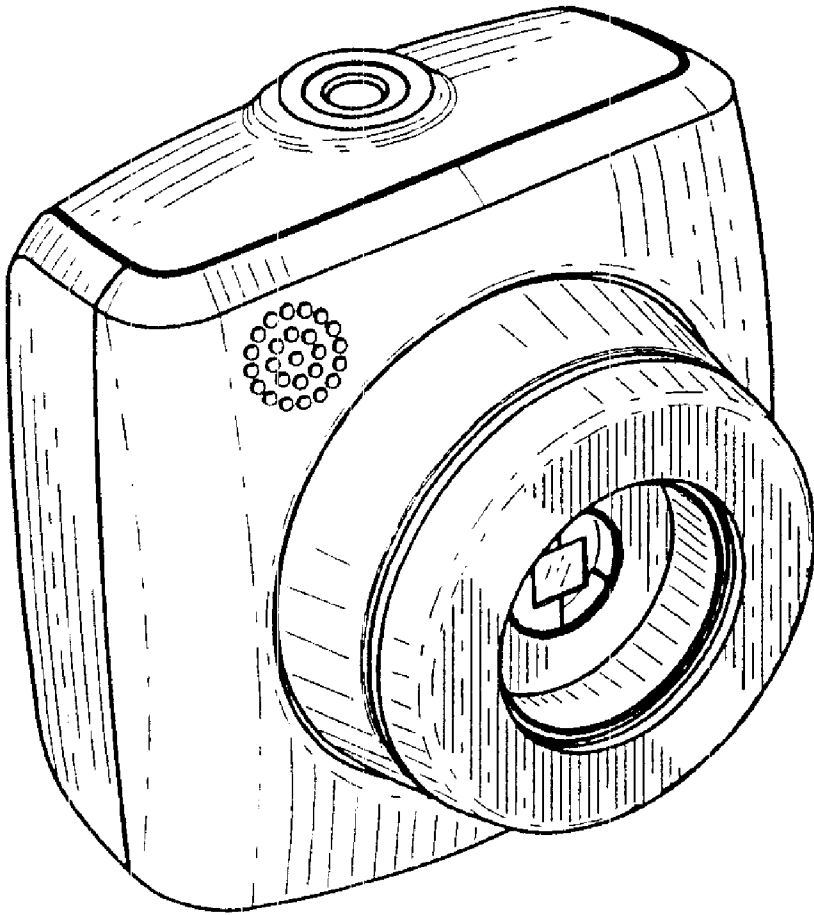


FIG. 1

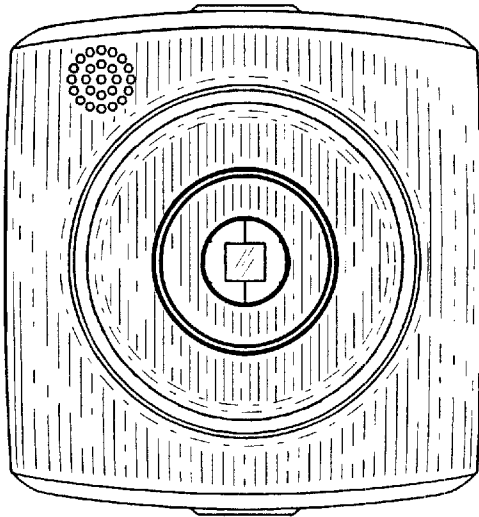


FIG. 2

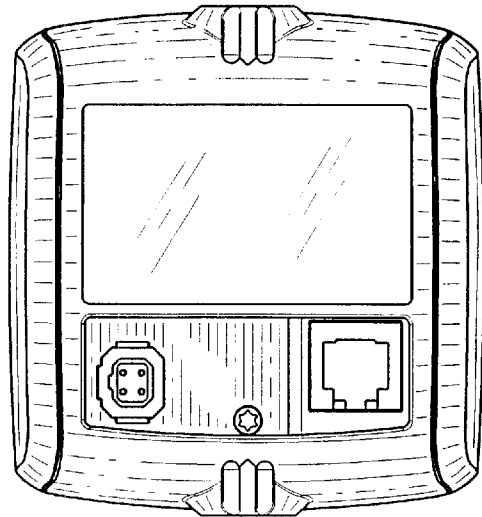


FIG. 3

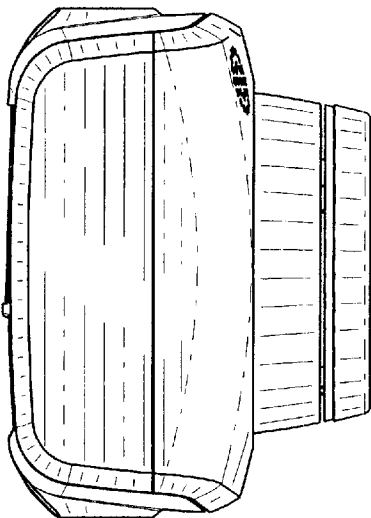


FIG. 4

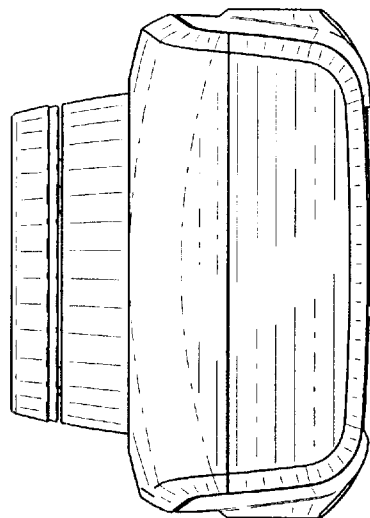


FIG. 5

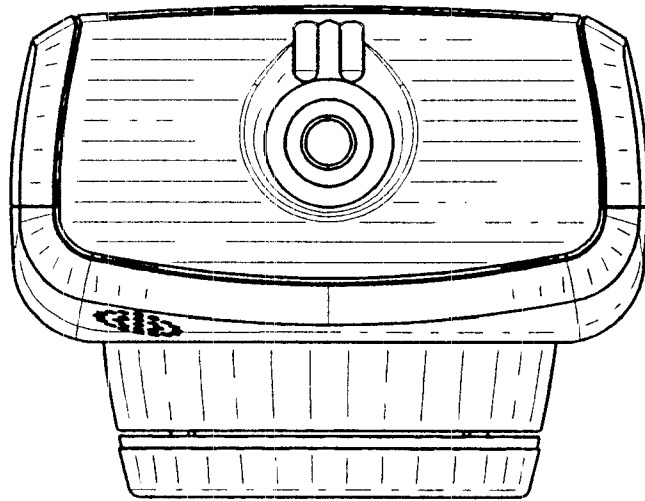


FIG. 6

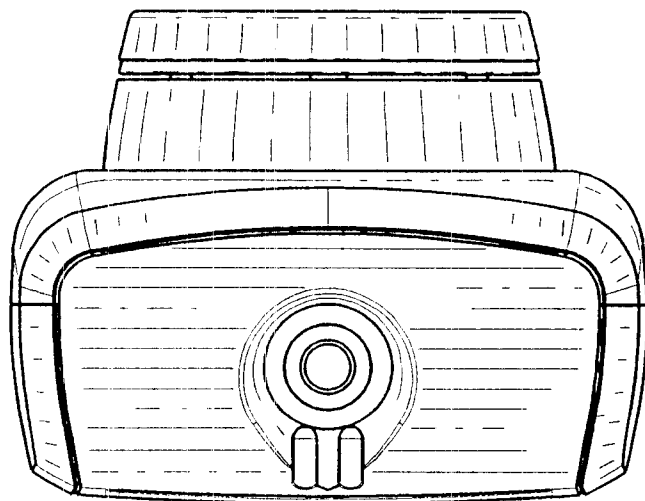


FIG. 7