



US00D949398S

(12) **United States Design Patent** (10) **Patent No.:** **US D949,398 S**
Gawrychowski (45) **Date of Patent:** **** Apr. 19, 2022**

(54) **PERSONAL MASSAGER WITH A SURFACE PATTERN**

(71) Applicant: **GOLDBERG IMPORTS INC.,**
Hallandale, FL (US)

(72) Inventor: **Michael Gawrychowski,** Hallandale,
FL (US)

(73) Assignee: **GOLDBERG IMPORTS INC.,**
Hallandale, FL (US)

(**) Term: **15 Years**

(21) Appl. No.: **29/738,862**

(22) Filed: **Jun. 19, 2020**

(51) **LOC (13) Cl.** **28-03**

(52) **U.S. Cl.**
USPC **D24/215**

(58) **Field of Classification Search**
USPC D24/119, 133, 141, 172, 200, 211, 212,
D24/213, 214, 215; D30/160; D14/228
CPC A61H 19/32; A61H 19/44; A61H 19/50
See application file for complete search history.

(56) **References Cited**

U.S. PATENT DOCUMENTS

D228,473	S	*	9/1973	Koshido et al.	D24/214
D272,649	S	*	2/1984	Bloch	D21/662
D304,974	S	*	12/1989	Heiligenstein	D24/215
D311,955	S	*	11/1990	Lie	D24/211
D315,408	S	*	3/1991	Duk	D24/211
D329,290	S	*	9/1992	Geneve	D24/211
D338,070	S	*	8/1993	Lam	D24/214
D374,084	S	*	9/1996	Chen	D24/211
D384,158	S	*	9/1997	Kain	D24/200
D398,402	S	*	9/1998	Kirk	D24/211
D465,852	S	*	11/2002	Bloch	D24/211
D509,301	S	*	9/2005	Talbot	D24/215
D510,628	S	*	10/2005	Talbot	D24/214
D558,887	S	*	1/2008	Nan	D24/105

D559,992	S	*	1/2008	Potter	D24/214
D585,560	S	*	1/2009	Wu	D24/215
D600,357	S	*	9/2009	Chaput	D24/214
D620,601	S	*	7/2010	TerMeer	D24/215
D637,729	S	*	5/2011	Tompkin	D24/215
D649,656	S	*	11/2011	Petersen	D24/215
D674,109	S	*	1/2013	Sedic	D24/215
D681,842	S	*	5/2013	Chang	D24/215
D704,345	S	*	5/2014	Tai	D24/215
D739,546	S	*	9/2015	Cheung	D24/215
D740,433	S	*	10/2015	Zhu	A61H 15/0085 D24/215
D759,261	S	*	6/2016	Son	D24/215

(Continued)

OTHER PUBLICATIONS

Amazon, "New Lulu 7 Upgraded Personal Wand Massager", Dec. 6, 2020. https://www.amazon.com/LuLu-Therapeutic-Wand-Massager-Hypoallergenic/dp/B01M7M8FE7/ref=pd_lpo_2?pd_rd_i=B01M7M8FE7&th=1. Shown on p. 1. (Year: 2020).*

Primary Examiner — Michael A Maharajh
(74) *Attorney, Agent, or Firm* — Pete Adams Law, PLLC

(57) **CLAIM**

The ornamental design for a personal massager with a surface pattern, as shown and described.

DESCRIPTION

FIG. 1 is a perspective view of the personal massager with a surface pattern, showing my new design; FIG. 2 is a front view thereof; FIG. 3 is a rear view thereof; FIG. 4 is a right side view thereof; FIG. 5 is a left side view thereof; FIG. 6 is a top enlarged view thereof; and, FIG. 7 is a bottom enlarged view thereof. The broken lines in the drawings illustrate environmental structure and form no part of the claimed design.

1 Claim, 4 Drawing Sheets



(56)

References Cited

U.S. PATENT DOCUMENTS

D760,914	S	*	7/2016	Hutchinson	D24/215
D802,783	S	*	11/2017	Marshall	D24/215
D802,784	S	*	11/2017	Lee	D24/215
D817,507	S	*	5/2018	Cheung	D24/215
D818,142	S	*	5/2018	Cheung	D24/215
D818,143	S	*	5/2018	Cheung	D24/215
D826,418	S	*	8/2018	Lad	D24/215
D826,422	S	*	8/2018	Cheung	D24/215
D827,849	S	*	9/2018	Marshall	D24/215
D842,492	S	*	3/2019	Iurchenko	D24/215
D844,801	S	*	4/2019	Cheung	D24/215
D865,989	S	*	11/2019	Colclough	D24/215
D868,989	S	*	12/2019	Marshall	D24/215
D874,673	S	*	2/2020	Cheung	D24/215
D874,676	S	*	2/2020	Song	D24/215
D882,816	S	*	4/2020	Dumler	D24/215
D886,319	S	*	6/2020	Sugimoto	D24/215
D890,944	S	*	7/2020	Tsang	D24/215
D893,042	S	*	8/2020	Lin	D24/215
10,744,061	B2	*	8/2020	Guang	A61H 19/34
D895,828	S	*	9/2020	Marshall	D24/215
D905,259	S	*	12/2020	Wang	D24/206
D905,265	S	*	12/2020	Tsang	D24/215
D905,861	S	*	12/2020	Yang	D24/215
D905,864	S	*	12/2020	Rhodes	D24/215
D912,266	S	*	3/2021	Chen	D24/215
D912,839	S	*	3/2021	Yang	D24/215
D914,228	S	*	3/2021	Lin	D24/215
D926,334	S	*	7/2021	Gawrychowski	D24/215
D926,337	S	*	7/2021	Wang	D24/215

* cited by examiner

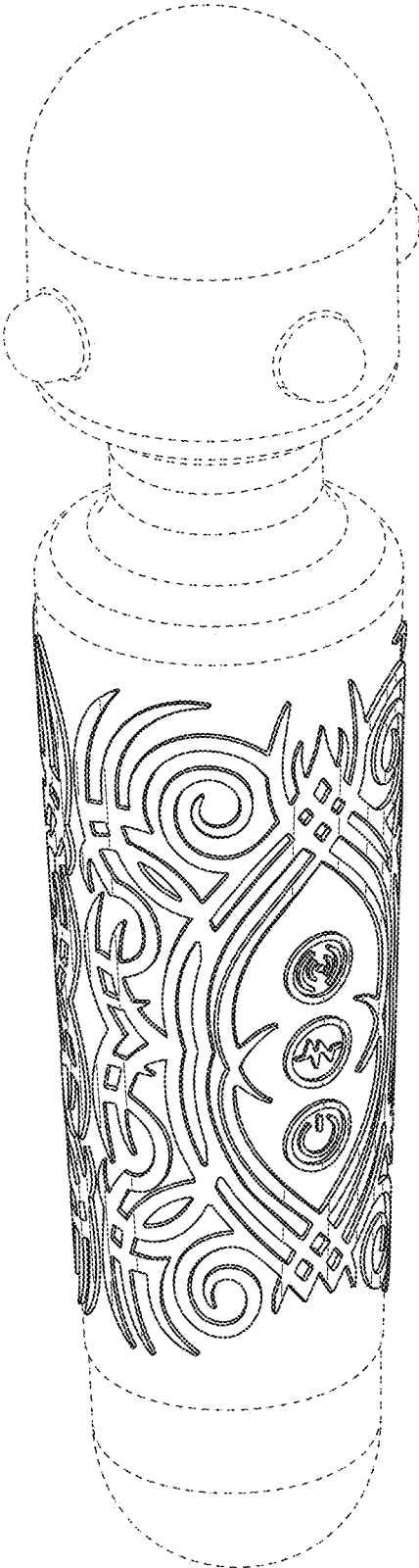


FIG. 1

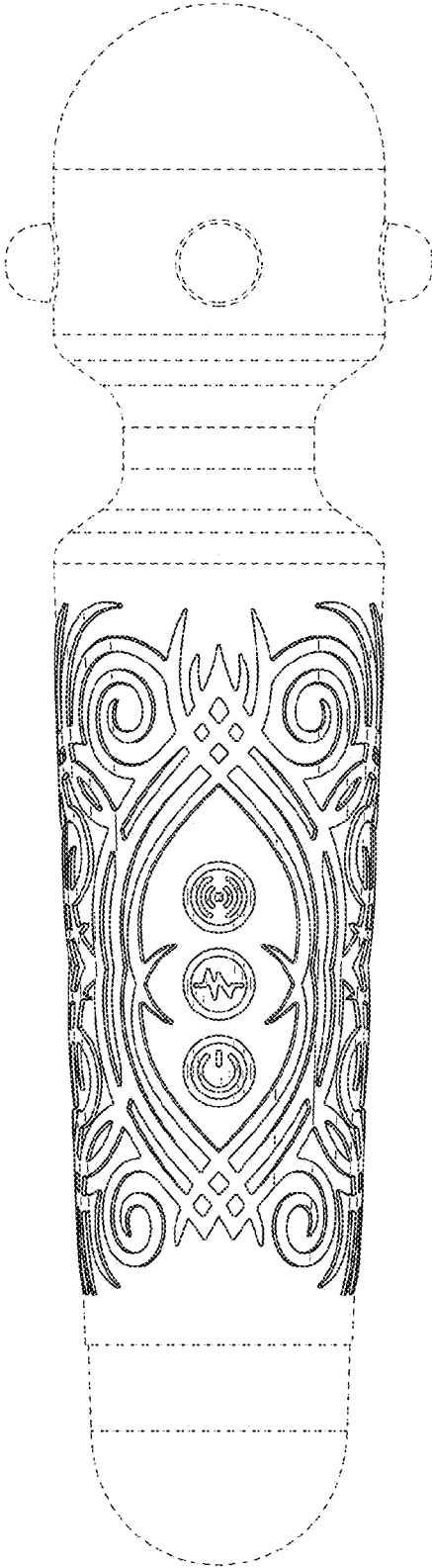


FIG. 2

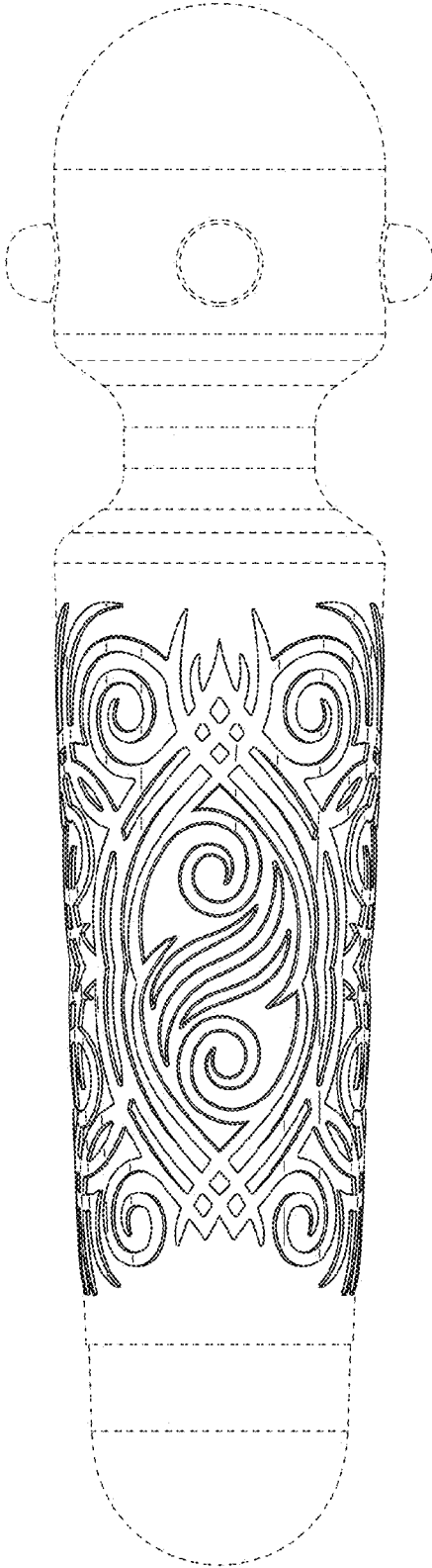


FIG. 3

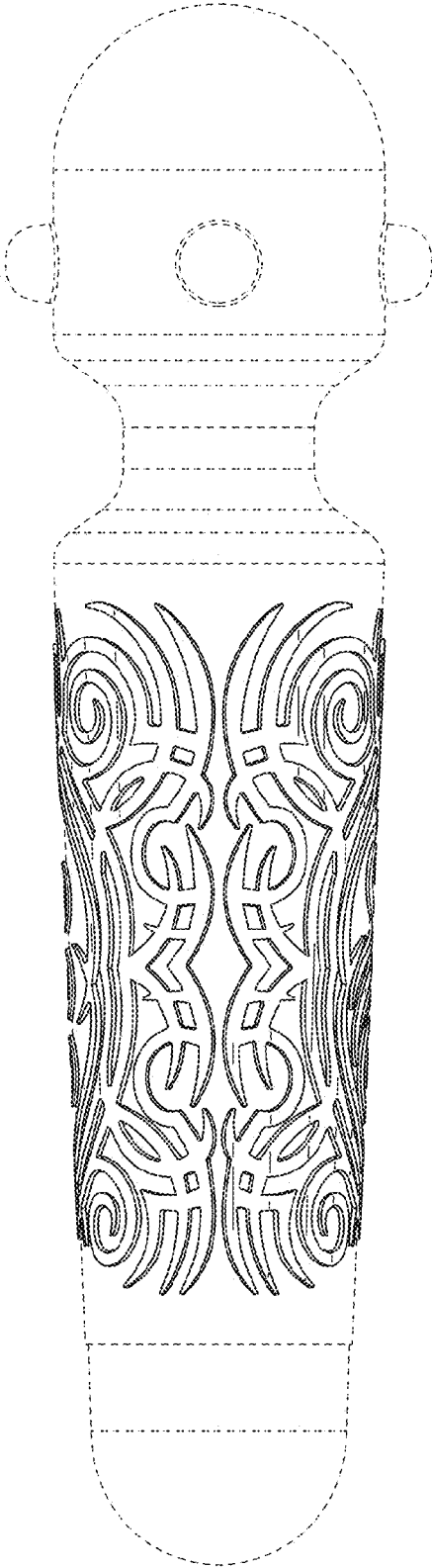


FIG. 4

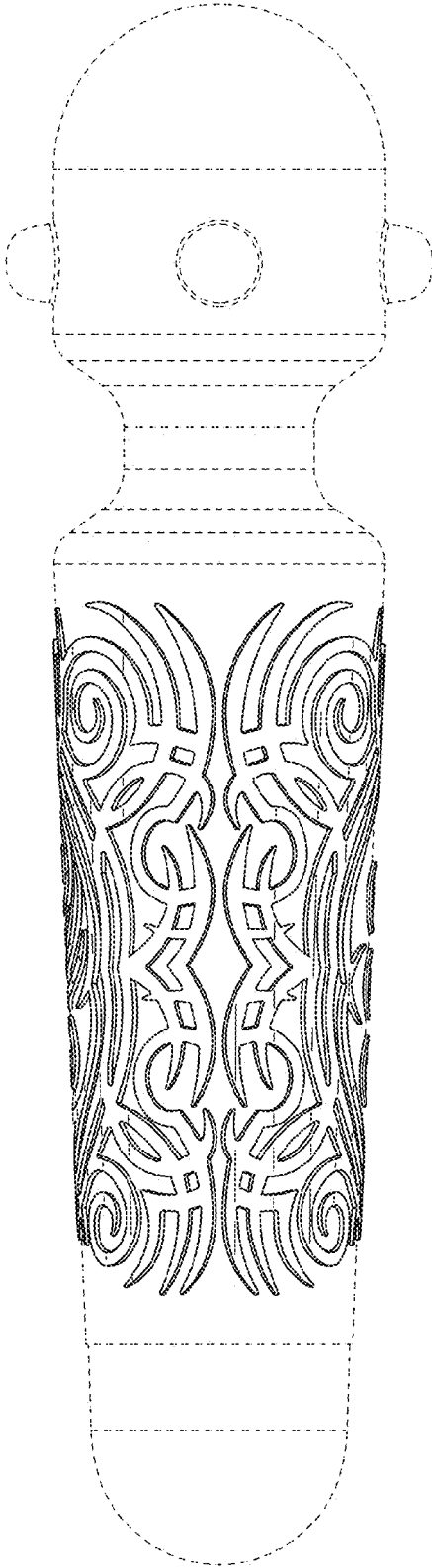


FIG. 5

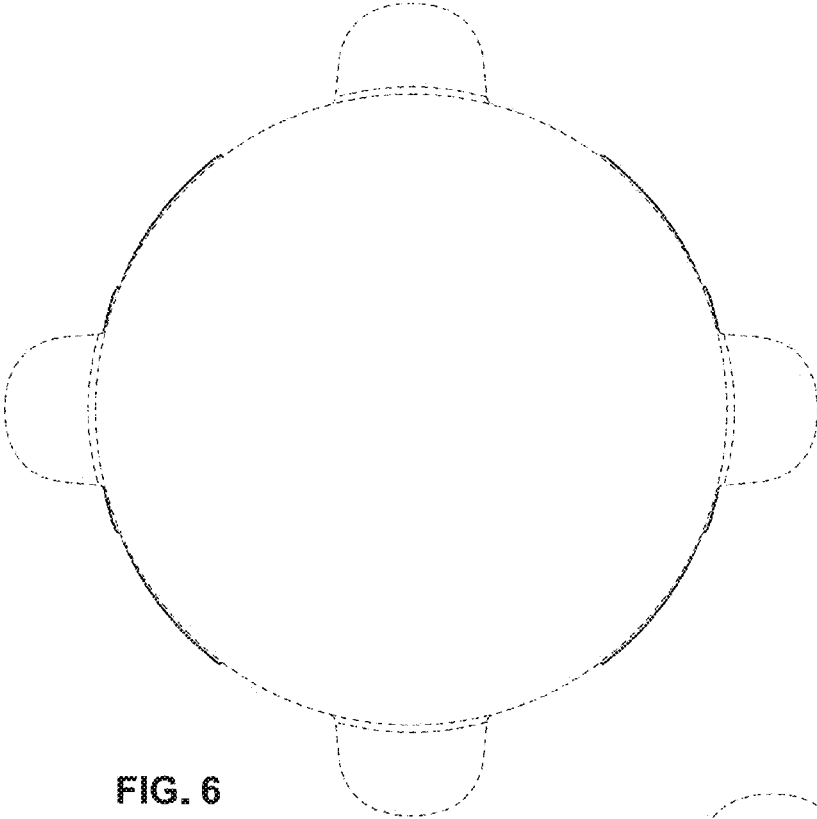


FIG. 6

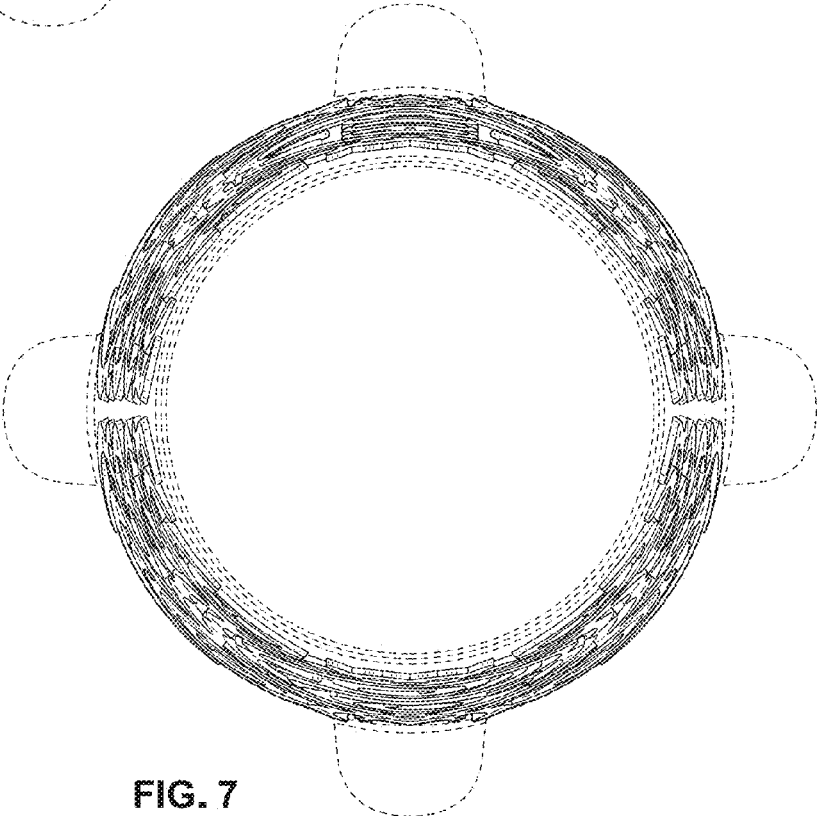


FIG. 7