

(19) World Intellectual Property Organization  
International Bureau



(43) International Publication Date  
11 April 2002 (11.04.2002)

PCT

(10) International Publication Number  
WO 02/28283 A1

(51) International Patent Classification<sup>7</sup>: A61B 5/16, 5/22

(21) International Application Number: PCT/US01/27751

(22) International Filing Date: 3 October 2001 (03.10.2001)

(25) Filing Language: English

(26) Publication Language: English

(30) Priority Data:  
09/678,104 4 October 2000 (04.10.2000) US

(71) Applicant and

(72) Inventor: KRASS, Alvin [US/US]; 162 Alderbrook Road,  
Little Silver, NJ 07759 (US).

(74) Agents: SECKEL, Nicolas, E. et al.; Armstrong, Westerman,  
Hattori, Mclelland & Naughton, LLP, 1725 K Street,  
NW Suite 1000, Washington, DC 20006 (US).

(81) Designated States (national): AE, AG, AL, AM, AT, AU,  
AZ, BA, BB, BG, BR, BY, BZ, CA, CH, CN, CO, CR, CU,

CZ, DE, DK, DM, DZ, EC, EE, ES, FI, GB, GD, GE, GH,  
GM, HR, HU, ID, IL, IN, IS, JP, KE, KG, KP, KR, KZ, LC,  
LK, LR, LS, LT, LU, LV, MA, MD, MG, MK, MN, MW,  
MX, MZ, NO, NZ, PH, PL, PT, RO, RU, SD, SE, SG, SI,  
SK, SL, TJ, TM, TR, TT, TZ, UA, UG, UZ, VN, YU, ZA,  
ZW.

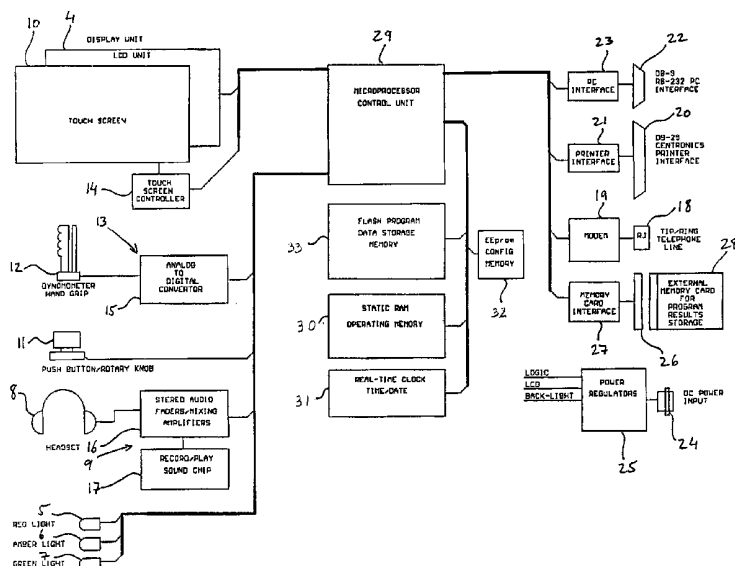
(84) Designated States (regional): ARIPO patent (GH, GM,  
KE, LS, MW, MZ, SD, SL, SZ, TZ, UG, ZW), Eurasian  
patent (AM, AZ, BY, KG, KZ, MD, RU, TJ, TM), European  
patent (AT, BE, CH, CY, DE, DK, ES, FI, FR, GB, GR, IE,  
IT, LU, MC, NL, PT, SE, TR), OAPI patent (BF, BJ, CF,  
CG, CI, CM, GA, GN, GQ, GW, ML, MR, NE, SN, TD,  
TG).

Published:

- with international search report
- before the expiration of the time limit for amending the claims and to be republished in the event of receipt of amendments

For two-letter codes and other abbreviations, refer to the "Guidance Notes on Codes and Abbreviations" appearing at the beginning of each regular issue of the PCT Gazette.

(54) Title: NEUROLOGICAL TESTING APPARATUS



(57) Abstract: An apparatus for performing neuropsychological tests on a patient includes a microprocessing unit (29) adapted for carrying out test procedures which is connected to an interface to a sensory signal generating device comprising at least one of a visual information display (4), an indication light (5, 6, 7) and a sound generator (8), an interface to a reaction detecting device comprising at least one of a dynamometer (12), a knob (11), and a touch screen (10), and an interface (27) to a memory (28) for reading test procedures stored in the memory. At least one test procedure comprising instructions for the generation of sensory signals and the detection of a patient reaction is stored in the memory and is performed by generating the sensory signals on the sensory generating device and by detecting a patient's reaction through the reaction detecting device.



WO 02/28283 A1

## TITLE

Neurological Testing Apparatus

## FIELD OF THE INVENTION

5 The present invention concerns an apparatus for measuring neuro-cognitive activity by carrying out neuropsychological tests, in particular for testing impairments and competencies relating to neuropsychological function:

## DESCRIPTION OF THE PRIOR ART

10 Neuropsychological tests are used by doctors to measure underlying perceptual, cognitive, and information processing abilities, and in particular, assess deficits or changes in attention, immediate and short term memory, visual-perceptual functions, sequencing functions, logical problem solving, calculation skills, reaction time, simultaneous information processing abilities, and executive functioning. Apparatuses are known which measure only a few patient functions such as reaction time. However, in the known apparatuses, other patient functions are not tested, so that only a very narrow and imprecise assessment of the patient's abilities is possible based on  
15 this type of tests.

## SUMMARY OF THE INVENTION

A purpose of the present invention is to provide an apparatus for carrying out neuropsychological tests which enables assessment of a wide variety of neurocognitive areas.

20 Accordingly, in a first aspect of the present invention, an apparatus for performing neuropsychological tests on a patient comprises:

means for generating a plurality of sensory signals comprising visual signals, auditory signals, or both visual and auditory signals; and

means for detecting physical movement of a patient in response to said generated plurality of sensory signals.

Advantageously, the plurality of sensory signals is determined prior to performing a test on a patient. Visual signals and auditory signals may be simultaneously generated. The apparatus  
5 may further comprise one or several additional means such as means for storing, processing, or both storing and processing information obtained from the means for detecting physical movement, means for reporting on the information obtained from the means for detecting physical movement, and means for selecting the plurality of sensory signals prior to performing a test on a patient.

10 In another aspect of the present invention, an apparatus for performing neuropsychological tests on a patient comprises a microprocessing unit adapted for carrying out test procedures, said microprocessing unit being connected to:

an interface to a sensory signal generating device comprising at least one of a visual information display, an indication light, and a sound generator;

15 an interface to a reaction detecting device comprising at least one of a dynamometer, a knob, and a touch screen; and

an interface to a memory for reading test procedures stored in the memory,

wherein at least one test procedure comprising instructions for the generation of sensory signals and the detection of a patient reaction is stored in the memory and is performed by  
20 generating the sensory signals on the sensory generating device and by detecting a patient's reaction through the reaction detecting device.

Advantageously, the memory is an internal memory of the apparatus. In the alternative, the memory may be a card or a set of cards, in which case the apparatus may comprise a card reading device for insertion and reading of the card or cards. In another embodiment, the

interface to a memory is an interface to a computer or a network of computers which comprise the memory.

Advantageously, the microprocessor is connected to an interface to a reporting device for reporting information on reactions detected through the reaction detecting device. This interface to a reporting device may be to a printer, or to a computer or a network of computers, or both.

The sensory signal generating device may comprise one or several among a sound generator which may be a headset, one or a plurality of indication lights which may be of different colors. The reaction detecting device may comprise one or several among a dynamometer which may be a hand grip, a knob which may be a push button, a rotary switch, or a combination push button and rotary switch. Specifically, the sensory signal generating device advantageously comprises an information display device, an indication light, and a sound generator, and the reaction detecting device advantageously comprises a touch screen, a dynamometer and a knob.

In an embodiment of the apparatus of the present invention, a plurality of sensory signals are generated simultaneously, and in particular, visual and audio signals may be generated simultaneously. Also, a plurality of physical reactions of the patient are advantageously detected during the performance of the test procedure.

An advantage of the apparatus of the present invention is that a much more extensive evaluation of neurocognitive areas of patients can be obtained than with currently known apparatuses. For example, it may be possible to evaluate impairments in neurocognitive areas using one or several of the following measures:

- Response to multi-sensory stimuli
- Ability to perform a repetitive motor task with and without outside auditory or visual distraction
- Grip strength, persistence and side variability

- Cognitive perceptual competence and memory
- Performance in tracking through a series of increasingly complex patterns

These assessments may be used to identify who may be suffering from such disorders as senile dementia, Alzheimer's disease, attention deficit disorder, post-traumatic cognitive and neurological disabilities, impairment in perceptual-motor function reflecting an inability to perform motor tasks such as driving, and/or other activities requiring effective motor performance.

Another advantage of the apparatus of the present invention is that it may be possible to carry out a wide variety of neuropsychological tests using a single unitary, compact, and portable instrument which is very easy to use.

#### BRIEF DESCRIPTION OF DRAWINGS

Figure 1 is a top view of an embodiment of an apparatus according to the present invention;

Figure 2 is a lateral view of the apparatus of Fig. 1;

Figure 3 is a back view of the apparatus of Fig. 1; and

Figure 4 is a block diagram of the apparatus of Fig. 1.

#### DETAILED DESCRIPTION OF THE INVENTION

The example of apparatus according to the present invention which is shown in Fig. 1 comprises a casing 1 having a generally rectangular block shape except that a front face 2 comprises a slanted portion 3. Visual signal generating means in the form of a LCD screen 4 and lights 5, 6 and 7 are located on the front face. Audio signal generating means in the form of a headset 8 is connected to an audio interface 9 on the front face of the apparatus. Reaction detecting means is present in the form of a touch screen 10 and a knob 11 located on the front face and a dynamometer 12 connected to a dynamometer interface 13.

In this embodiment, as shown in Fig. 4, the LCD screen 4 is associated to the touch screen 10 to form a display unit which functions both as display means to display information on the display unit and as reaction detecting means to detect actions by a user on the touch screen. The touch screen 10 is connected to a touch screen controller 14.

5           The knob 11 is adapted to detect tapping by a finger. For example, the knob may be a simple switch which is movable between off and on positions by pushing. In that case, only the on or off position of the knob is detected. In this embodiment, the knob is rotatable around a central axis. In that case, both the on or off position and the angular position of the knob are detected.

10           The dynamometer 12 is a hand grip which is connected to the interface 13 comprising an analog/digital converter 15. The hand grip comprises a handle portion and is adapted to detect the grip strength of a patient. Specifically, the grip handle comprises two mutually connected handle portions which are movable between a first position away from each other and a second position close to each other, and resilient means (not shown) such as a spring which tends to force  
15           the handle portions away from each other. The relative position of the two handle portions is detected electronically so as to provide an information on the grip strength. Optionally, the grip may also comprise a switch button. Examples of such grips are known and used in particular in electronic games. In an alternative embodiment, the hand grip could be mounted on the casing. In that case, the hand grip could be a foldable grip.

20           Advantageously, various grips adapted for measuring different gripping strengths can be successively mounted on the machine, such as a grip for children and a grip for adults. Also, the apparatus may comprises several different or similar grips.

As shown on Fig. 4, the headset 8 is connected to the interface 9 which comprises stereo audio faders and mixing amplifiers 16 and a record/play sound chip 17. The sound generator thus

constituted can generate true, sampled sounds which may be prerecorded and preloaded into the apparatus, or may be modified as part of the modification of a test procedure.

As shown on Figs. 3 and 4, the apparatus also comprises an interface port 18 associated with a modem 19 for connection to a network of computers for communication and modifications of test procedures, test results, or both, an interface port 20 associated with a printer interface 21 for connection to a printer for printing test procedures, test results, or both, an interface port 22 associated with a PC interface 23 for connection to a personal computer for communication and modifications of test procedures, test results, or both, and an interface port 24 associated with a power regulator 25 for connection to a source of electrical current. In addition, a separate interface port for connection to a network could be provided.

Further, the apparatus comprises a memory card interface port 26 associated with a memory card interface 27, which are adapted to receive and connect to external memory cards such as memory card 28 for storing test procedures, test results, or both.

As shown on Fig. 4, inside the casing is disposed a central processing unit (CPU) 29 which is adapted to sequentially perform the test functions, including executing memorized or detected instructions and processing corresponding information. The CPU is connected electronically to each of the visual and audio display means so as to provide appropriate display signals to these display means, to the reaction detecting means so as to detect, collect and process information on the patient's reactions, and to the interface ports. The CPU is also connected to static RAM operating memory 30 and real-time clock 31 for providing time and date, as well as an EEPROM 32 for storing user configuration and modifications, and a flash program data storage memory 33 for storing test procedure files received from an external source, such as a computer or a network of computers, as well as test results.

The CPU thus controls means for generating sensory signals adapted to be displayed on the sensory signal generating means, and means for detecting, analyzing and processing detection signals adapted for detecting, analyzing and processing signals generated by the reaction detecting means.

5           During a test, the CPU executes instructions by controlling the generation of sensory information directed to the patient, such as visual information or auditory information on the sensory display means, and detecting, analyzing and processing information on the patient's reaction from the reaction detecting means.

10           Specifically, the apparatus shown in Figs. 1-4 functions as follows. The apparatus is adapted to administer to a patient a series of neurological tests designed to measure neuro-cognitive functions. More particularly, tests are designed to identify whether or not an individual is impaired in one of a series of activities which are characteristically identified as reflecting impairment or adequacy of performance in areas of neuro-cognitive activity. Tests may be administered alone or in sequence of several tests. In a sequence, tests may be administered in  
15 any order. The test instructions and the test sequence is preferably prerecorded in the memory of the apparatus or in a card. However, a choice between several test sequences, or a choice between individual tests in a test sequence, may be available, for example by displaying visual prompts on the screen and detecting a user's response on the touch screen. Also, the test sequences may be selected or modified from a remote location, such as from a computer.

20           When the apparatus is connected to a power source, the screen lights up and a visual indication is displayed on the screen requesting a user to enter personal data such as name, address, age, and then, press a start icon on the touch screen to start testing. When the patient touches the touch screen, a corresponding signal is received by the CPU and the test or the sequence of tests is started. The patient is then directed to follow directions on display on the



screen or audio instructions communicated through the headset. Each test performed, either alone or in a sequence, may be selected from the following tests, or from other tests also made available in the apparatus. In the following, examples of tests which can be performed on the apparatus are described.

5           A first test is adapted to measure abstract reasoning ability and visual memory. A number of shapes forming a first pattern are shown on the screen for a fixed period of time. The screen is then cleared and a comparative pattern comprising the same number of shapes is flashed on the screen. The patient is asked to identify whether the comparative pattern is the same or different as the pattern shown previously. For example, the shapes are triangles, each having a pointer indicated by a blocked point of each triangle in a specific series of directions. The patient is thus  
10           called upon to recognize whether the pattern of directional pointers is the same or different. A portion of the screen is reserved for gathering the patient's reaction. Thus, a question is displayed on the screen, with a "yes" portion and a "no" portion, and the patient's response is detected by detecting whether the patient presses the corresponding portion of the touch screen.

15           Next, an increased number of shapes forming a second pattern is displayed on the screen for a second fixed period of time which may be the same as the length of the previous pattern or different. For example, the new pattern can comprise four triangles instead of three, each triangle also with pointers in specific directions. The pattern is then cleared, a second comparative pattern is shown on the screen, and the patient's reaction is detected.

20           A succession of such procedures is performed and the patient's reactions are detected. The number of such procedures, the length of time of display, the presentation of the patterns and the comparative patterns are pre-programmed in the apparatus, or the apparatus is adapted for programming these features prior to carrying out the test, for example through prompts on the touch screen.

A second test is adapted to measure a patient's ability to change directions with a visual symbol acted out in a motor activity, i.e., to measure visual motor perceptual accuracy of performance and response time for performing a basic motor task. A first maze design is displayed on the screen and the patient is asked to trace with the finger through the maze on the touch screen. The time for performing this task and the number of errors are detected. This sequence is repeated with a second maze, a third maze, etc., which become more and more complex.

A third test is adapted to measure the ability to track a moving target. A visual target which moves randomly in the transverse direction of the screen is displayed on the screen, and the patient is asked to align a pointer with the target by rotating the knob to the right or to the left. The shape, trajectory and speed of the target may be fixed or may vary during the test.

A fourth test is adapted to measure consistency of effort level and hand grip strength on the right and left side. A visual or audio squeeze signal is displayed, and the patient is asked to squeeze the grip when the squeeze signal is displayed. The grip strength is detected. The number and the type of squeeze signals may vary during the test. For example, the patient may be asked to squeeze with the left or right hand, a given number of time, for a given length of time, with a given strength, etc.

A fifth test is adapted to measure finger tapping. This test is used to measure neuro-cognitive and neuropsychological deficiencies. A visual or audio tapping signal is displayed, and the patient is asked to tap the knob for a given length of time. For example, a visual instruction is displayed on the screen, a start and stop sounds are displayed through the headset, and the timing and number of taps are detected. The detected information can be processed by the CPU, for example by comparing the test results with pre-recorded standard normal performances.

A sixth test is adapted to measure the ability to follow directions of a simple visually directed motor skill task. A first pattern of shapes is displayed on the screen, and the patient is asked to press the knob successively to have the shapes disappear one after the other. Then, a second pattern, a third pattern, etc., are displayed, and the patient's action on the knob is detected.

A seventh test is adapted to measure physical response to a visual or auditory stimulus. A visual signal such as a simple drawing is displayed on the screen, and the patient is asked to press the knob as soon as the drawing is seen. In the alternative, an audio signal such as a beeping sound is given through the headset, and the patient is asked to press the knob as soon as the signal is heard. The patient's action on the knob and the time delay between the signal and the action on the knob are detected. For example, the drawing is a simple line, or consists of a series of words or letters. The audio signal is given to the left ear, the right ear, or both ears. The number of trials and the type of signals can vary during the test.

In each of the tests, an additional factor can be incorporated in that visual and/or auditory distraction can be presented to the patient. For example, distracting patterns can be displayed on the screen, or distracting sounds can be performed in the headset, or both.

For each of the tests, the test procedures are pre-programmed in the apparatus, or the test procedures can be modified by a user either directly from the touch screen or by changing cards, or through an external computer or network of computers. The tests can be adapted to particular objectives or uses. For examples, individual features of each test, such as the type of visual or audio signals and the type of patient's action which is detected, can be modified. Also, individual features of the above tests can be combined to form new tests. The test procedures described above are given only as examples, and other test procedures may be used in addition or in place of these examples.

In alternative embodiments of the present invention, the apparatus associates other combinations among the components of the sensory signal generating means and reaction detecting means which have been described in connection with Figs. 1-4, or comprise additional components. Any of such components is mounted on the apparatus or may be connected to the  
5 apparatus through a wire connection or other communication device.

## CLAIMS

1. Apparatus for performing neuropsychological tests on a patient, comprising:  
means for generating a plurality of sensory signals comprising visual signals, auditory  
signals, or both visual and auditory signals; and

5 means for detecting physical movement of a patient in response to said generated plurality  
of sensory signals.

2. Apparatus according to claim 1, wherein the plurality of sensory signals is determined  
prior to performing a test on a patient.

3. Apparatus according to claim 1, wherein visual signals and auditory signals are  
10 simultaneously generated.

4. Apparatus according to claim 1, further comprising means for storing, processing, or  
both storing and processing information obtained from the means for detecting physical  
movement.

5. Apparatus according to claim 4, further comprising means for reporting on the  
15 information obtained from the means for detecting physical movement.

6. Apparatus according to claim 1, further comprising means for selecting the plurality  
of sensory signals prior to performing a test on a patient.

7. Apparatus for performing neuropsychological tests on a patient, comprising a  
microprocessing unit adapted for carrying out test procedures, said microprocessing unit being  
20 connected to

an interface to a sensory signal generating device comprising at least one of a visual  
information display, an indication light, and a sound generator;

an interface to a reaction detecting device comprising at least one of a dynamometer, a  
knob, and a touch screen; and

an interface to a memory for reading test procedures stored in the memory,

wherein at least one test procedure comprising instructions for the generation of sensory signals and the detection of a patient reaction is stored in the memory and is performed by generating the sensory signals on the sensory generating device and by detecting a patient's reaction through the reaction detecting device.

8. Apparatus according to claim 7, wherein the memory is an internal memory of the apparatus.

9. Apparatus according to claim 7, wherein the memory is a card or a set of cards, and the apparatus comprises a card reading device for insertion and reading of the card or cards.

10. Apparatus according to claim 7, wherein the interface to a memory is an interface to a computer or a network of computers which comprise the memory.

11. The apparatus of claim 7, wherein the microprocessor is connected to an interface to a reporting device for reporting information on reactions detected through the reaction detecting device.

12. The apparatus of claim 11, wherein the interface to a reporting device is to a printer.

13. The apparatus of claim 11, wherein the interface to a reporting device is to a computer or a network of computers.

14. The apparatus of claim 7, wherein the sensory signal generating device comprises a sound generator which is a headset.

15. The apparatus of claim 7, wherein the sensory signal generating device comprises a plurality of indication lights.

16. The apparatus of claim 15, wherein the indication lights are of different colors.

17. The apparatus of claim 7, wherein the reaction detecting device comprises a dynamometer which is a hand grip.

18. The apparatus of claim 7, wherein the reaction detecting device comprises a knob which is a push button, a rotary switch, or a combination push button and rotary switch.

19. The apparatus of claim 7, wherein the sensory signal generating device comprises an information display device, an indication light, and a sound generator.

5           20. The apparatus of claim 7, wherein the reaction detecting device comprises a touch screen, a dynamometer and a knob.

21. The apparatus of claim 7, wherein a plurality of sensory signals are generated simultaneously.

10           22. The apparatus of claim 21, wherein visual and audio signals are generated simultaneously.

23. The apparatus of claim 7, wherein a plurality of physical reactions of the patient are detected during the performance of the test procedure.

FIG. 1

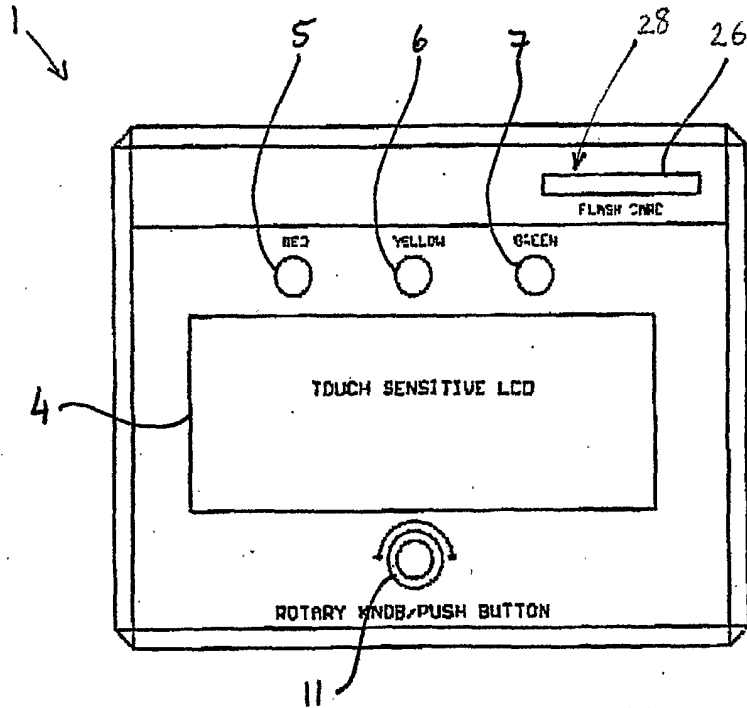


FIG. 2

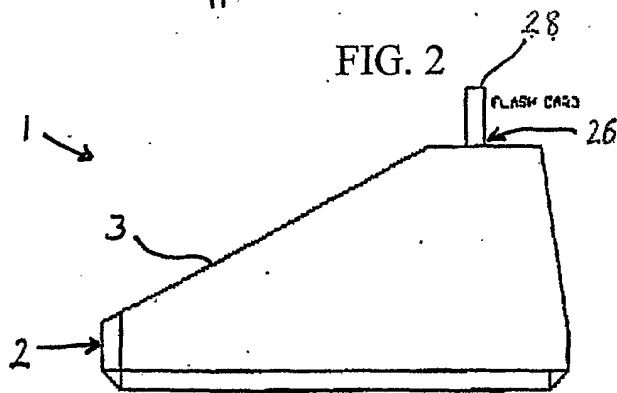
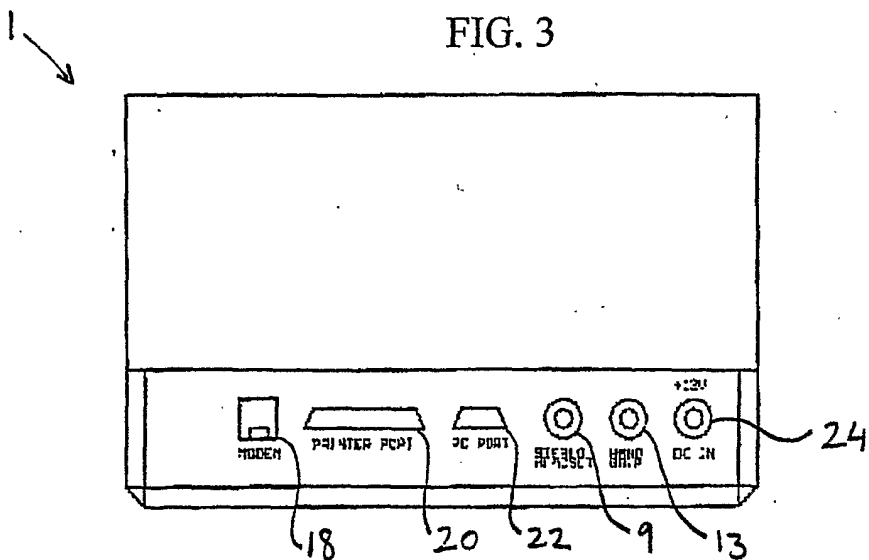


FIG. 3





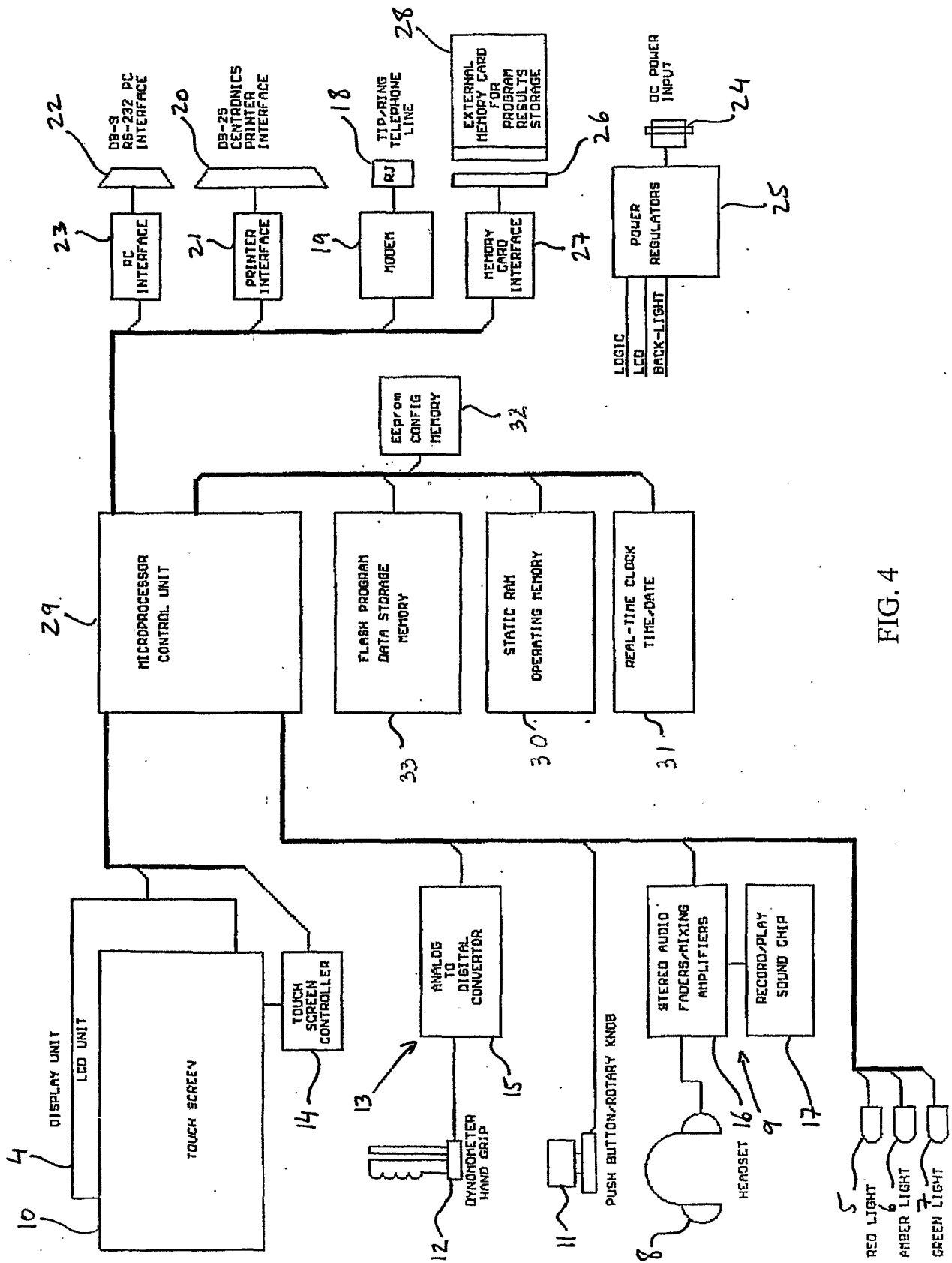


FIG. 4

INTERNATIONAL SEARCH REPORT

International Application No  
PCT/US 01/27751

| <b>A. CLASSIFICATION OF SUBJECT MATTER</b><br>IPC 7 A61B5/16 A61B5/22   |  |   |
|---|--|---|
| According to International Patent Classification (IPC) or to both national classification and IPC   |  |   |
| <b>B. FIELDS SEARCHED</b>   |  |   |
| Minimum documentation searched (classification system followed by classification symbols)<br>IPC 7 A61B   |  |   |
| Documentation searched other than minimum documentation to the extent that such documents are included in the fields searched   |  |   |
| Electronic data base consulted during the international search (name of data base and, where practical, search terms used)<br>EPO-Internal, WPI Data  |  |   |
| <b>C. DOCUMENTS CONSIDERED TO BE RELEVANT</b>   |  |   |
| Category °  | Citation of document, with indication, where appropriate, of the relevant passages                             | Relevant to claim No.   |
| X   | US 4 166 452 A ( C. D. J. GENERALES )<br>4 September 1979 (1979-09-04)<br>column 1, line 25 -column 2, line 22 | 1-6   |
| Y   | column 2, line 61 -column 4, line 26<br>---  | 7-23  |
| X   | US 5 807 114 A ( L. F. HODGES ET AL )<br>15 September 1998 (1998-09-15)  | 1-6   |
| Y   | column 2, line 49 -column 3, line 50<br>---  | 7-23  |
| X   | EP 0 251 541 A ( D. J. REDINGTON ET AL )<br>7 January 1988 (1988-01-07)  | 1-6   |
| Y   | column 2, line 40 -column 6, line 34<br>---  | 7   |
| X   | US 5 595 488 A ( E. GOZLAN ET AL )<br>21 January 1997 (1997-01-21)   | 1-6   |
| Y   | column 5, line 57 -column 6, line 42<br>---  | 7   |
|   | -/--   |   |
| <input checked="" type="checkbox"/> Further documents are listed in the continuation of box C. <input checked="" type="checkbox"/> Patent family members are listed in annex.   |  |   |
| ° Special categories of cited documents :   |  |   |
| *A* document defining the general state of the art which is not considered to be of particular relevance<br>*E* earlier document but published on or after the international filing date<br>*L* document which may throw doubts on priority claim(s) or which is cited to establish the publication date of another citation or other special reason (as specified)<br>*O* document referring to an oral disclosure, use, exhibition or other means<br>*P* document published prior to the international filing date but later than the priority date claimed |  | *T* later document published after the international filing date or priority date and not in conflict with the application but cited to understand the principle or theory underlying the invention<br>*X* document of particular relevance; the claimed invention cannot be considered novel or cannot be considered to involve an inventive step when the document is taken alone<br>*Y* document of particular relevance; the claimed invention cannot be considered to involve an inventive step when the document is combined with one or more other such documents, such combination being obvious to a person skilled in the art.<br>*&* document member of the same patent family |
| Date of the actual completion of the international search<br><br>27 February 2002   |  | Date of mailing of the international search report<br><br>06/03/2002  |
| Name and mailing address of the ISA<br>European Patent Office, P.B. 5818 Patentlaan 2<br>NL - 2280 HV Rijswijk<br>Tel. (+31-70) 340-2040, Tx. 31 651 epo nl,<br>Fax: (+31-70) 340-3016  |  | Authorized officer<br><br>Geffen, N   |

## INTERNATIONAL SEARCH REPORT

 International Application No  
 PCT/US 01/27751

| C.(Continuation) DOCUMENTS CONSIDERED TO BE RELEVANT |   |                            |
|--|---|----------------------------|
| Category °   | Citation of document, with indication, where appropriate, of the relevant passages  | Relevant to claim No.      |
| X  | US 5 911 581 A ( J. REYNOLDS ET AL )<br>15 June 1999 (1999-06-15)<br>column 4, line 6 - line 37<br>column 10, line 58 -column 13, line 20<br>---- | 1-6                        |
| X  | US 5 904 639 A ( M. A. SMYSER ET AL )<br>18 May 1999 (1999-05-18)<br>column 3, line 30 -column 4, line 6<br>----                                  | 7,8,10,<br>11,13,17        |
| Y  | US 4 854 329 A ( J. C. WALRUFF )<br>8 August 1989 (1989-08-08)<br>column 2, line 46 -column 3, line 56<br>-----                                   | 1,9,12,<br>14-16,<br>18-23 |
| Y  | US 4 854 329 A ( J. C. WALRUFF )<br>8 August 1989 (1989-08-08)<br>column 2, line 46 -column 3, line 56<br>-----                                   | 1,7-23                     |

**INTERNATIONAL SEARCH REPORT**  
 information on patent family members

International Application No  
**PCT/US 01/27751**

| Patent document cited in search report |   | Publication date | Patent family member(s)   | Publication date   |
|--|---|------------------|---|--|
| US 4166452                             | A | 04-09-1979       | NONE  |  |
| US 5807114                             | A | 15-09-1998       | AU 2423697 A<br>WO 9737738 A1<br>US 6012926 A                                   | 29-10-1997<br>16-10-1997<br>11-01-2000                             |
| EP 0251541                             | A | 07-01-1988       | US 4818234 A<br>AU 7469887 A<br>EP 0251541 A2<br>GR 3007298 T3<br>JP 63009463 A | 04-04-1989<br>07-01-1988<br>07-01-1988<br>30-07-1993<br>16-01-1988 |
| US 5595488                             | A | 21-01-1997       | NONE  |  |
| US 5911581                             | A | 15-06-1999       | NONE  |  |
| US 5904639                             | A | 18-05-1999       | NONE  |  |
| US 4854329                             | A | 08-08-1989       | NONE  |  |