



US00D563843S

(12) **United States Design Patent**
Kido et al.

(10) **Patent No.:** **US D563,843 S**

(45) **Date of Patent:** **** Mar. 11, 2008**

(54) **FRONT BUMPER FOR AN AUTOMOBILE**

Brochure for Toyota RAV-4, issued by Toyota Jidosha Kabushiki Kaisha, Aug. 2005.

(75) Inventors: **Kenji Kido**, Toyota (JP); **Yukio Kushima**, Anjo (JP); **Kazuhiro Sato**, Toyota (JP)

* cited by examiner

(73) Assignee: **Toyota Jidosha Kabushiki Kaisha** (JP)

Primary Examiner—Melody N. Brown

(**) Term: **14 Years**

(74) *Attorney, Agent, or Firm*—SAIDMAN DesignLaw Group

(21) Appl. No.: **29/272,011**

(22) Filed: **Jan. 30, 2007**

(57) **CLAIM**

(51) **LOC (8) Cl.** **12-16**

The ornamental design for a front bumper for an automobile, as shown and described.

(52) **U.S. Cl.** **D12/169**

(58) **Field of Classification Search** D12/90-92,
D12/86, 169, 196, 163; 296/193.1, 181.1;
293/102, 113, 115, 117, 120

See application file for complete search history.

DESCRIPTION

(56) **References Cited**

FIG. 1 is a front perspective view of a front bumper for an automobile showing our new design;

U.S. PATENT DOCUMENTS

FIG. 2 is a front elevational view thereof;

D535,231 S * 1/2007 Otsubo et al. D12/169

FIG. 3 is a bottom plan view thereof;

D535,233 S * 1/2007 Kitazumi et al. D12/169

FIG. 4 is a right-side elevational view thereof; and,

OTHER PUBLICATIONS

FIG. 5 is a left-side elevational view thereof.

Brochure for FORESTER, issued by Fuji Heavy Industries Ltd., Mar. 2005.

1 Claim, 1 Drawing Sheet

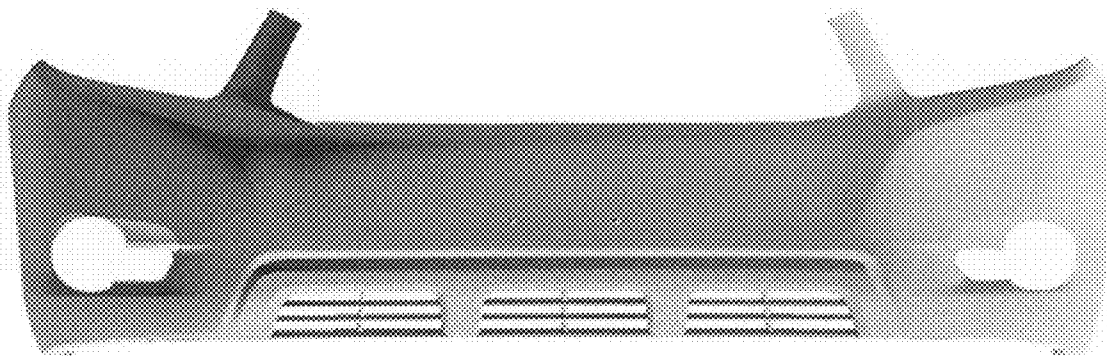


FIG 1

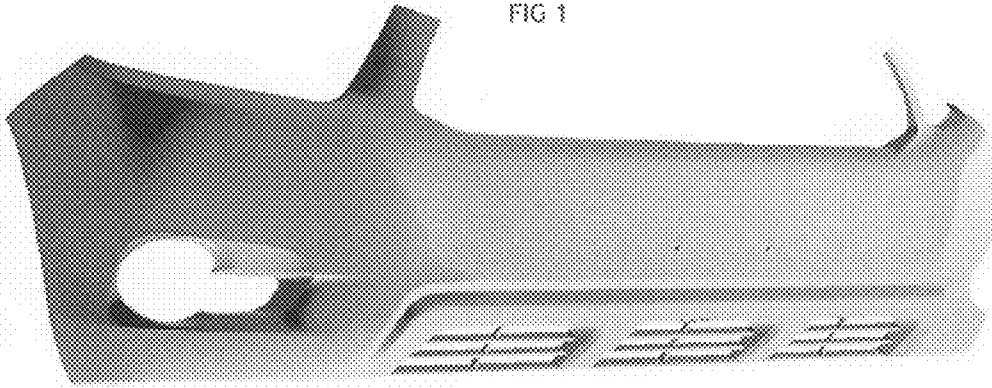


FIG 2

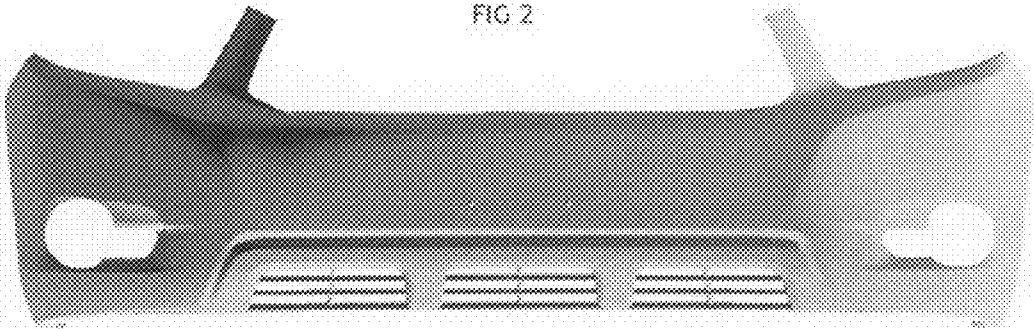


FIG 3

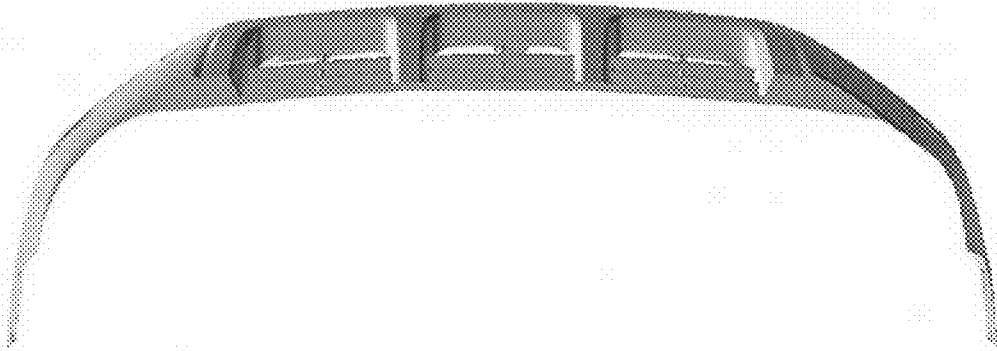


FIG 4

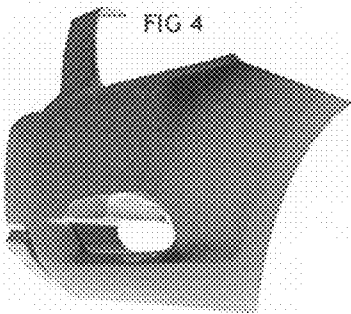


FIG 5

