



US00D891448S

(12) **United States Design Patent**
Graham et al.

(10) **Patent No.:** **US D891,448 S**

(45) **Date of Patent:** **** *Jul. 28, 2020**

(54) **DISPLAY SCREEN PORTION WITH ANIMATED GRAPHICAL USER INTERFACE**

Primary Examiner — Darlington Ly

Assistant Examiner — Katherine A Holbrow

(74) *Attorney, Agent, or Firm* — Blank Rome LLP

(71) Applicants: **Jamey Graham**, San Jose, CA (US);
Daniel Van Olst, San Francisco, CA (US)

(72) Inventors: **Jamey Graham**, San Jose, CA (US);
Daniel Van Olst, San Francisco, CA (US)

(57) **CLAIM**

The ornamental design for display screen portion with animated graphical user interface, as shown and described.

(73) Assignee: **RICOH COMPANY, LTD.**, Tokyo (JP)

(*) Notice: This patent is subject to a terminal disclaimer.

DESCRIPTION

(**) Term: **15 Years**

FIG. 1 is a front view of a first image in a sequence for a display screen portion with animated graphical user interface according to a first embodiment of the new design; FIG. 2 is a second image thereof; FIG. 3 is a third image thereof; FIG. 4 is a fourth image thereof; FIG. 5 is a front view of a first image in a sequence for a display screen portion with animated graphical user interface according to a second embodiment of the new design; FIG. 6 is a second image thereof; FIG. 7 is a third image thereof; and, FIG. 8 is a fourth image thereof. Hatching depicts a contrast in appearance.

(21) Appl. No.: **29/578,269**

(22) Filed: **Sep. 20, 2016**

Related U.S. Application Data

(62) Division of application No. 29/542,734, filed on Oct. 16, 2015, now Pat. No. Des. 804,492.

(51) **LOC (12) Cl.** **14-04**

(52) **U.S. Cl.**
USPC **D14/486; D14/488**

(58) **Field of Classification Search**
USPC D14/485-495
CPC G10H 1/0008; G06F 17/30053; G06F 16/583; G06F 17/241; G06F 16/434; H04N 1/0044; H04N 21/478; H04N 1/00196

See application file for complete search history.

In the first embodiment, the appearance of the transitional image sequentially transitions between the images shown in FIGS. 1-4. In the second embodiment, the appearance of the transitional image sequentially transitions between the images shown in FIGS. 5-8. The process or period in which one image transitions to another image forms no part of the claimed design.

In the figures, the outermost broken line showing the display screen, and all other broken lines showing portions of the graphical user interface, illustrates portions of the article and forms no part of the claimed design. The outermost broken line defines the bounds of the claimed design and form no part thereof.

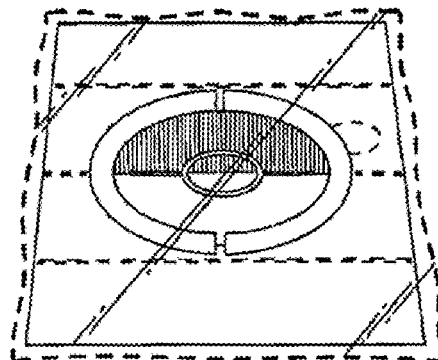
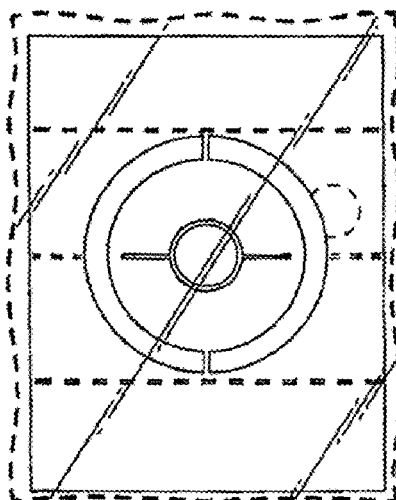
(56) **References Cited**

U.S. PATENT DOCUMENTS

D500,766 S *	1/2005	Hanisch	D14/489
D524,321 S	7/2006	Hally		
D591,305 S *	4/2009	Shimoda	D14/485
D593,107 S *	5/2009	Shimoda	D14/485

(Continued)

1 Claim, 2 Drawing Sheets



(56)

References Cited

U.S. PATENT DOCUMENTS

D623,658 S	9/2010	Fitzmaurice		D752,618 S *	3/2016	Lee	D14/486
D624,933 S *	10/2010	Fitzmaurice	D753,708 S *	4/2016	Yang	G06F 3/04817
D625,327 S	10/2010	Fitzmaurice						D14/488
D644,242 S *	8/2011	Matas	D754,677 S *	4/2016	Takizawa	D14/485
D644,656 S *	9/2011	Maitlen	D756,377 S	5/2016	Connolly		
D651,611 S *	1/2012	Ouilhet	D757,074 S	5/2016	Iwamoto		
D665,421 S *	8/2012	Morrow	D757,753 S	5/2016	Jung		
D689,874 S *	9/2013	Brinda	D757,774 S	5/2016	Iwamoto		
D697,523 S	1/2014	Oda		D757,775 S	5/2016	Iwamoto		
D699,750 S *	2/2014	Pearson	9,354,776 B1	5/2016	Subramanian		
D710,867 S *	8/2014	Nies	D759,078 S	6/2016	Iwamoto		
D721,088 S *	1/2015	Barling	D779,516 S *	2/2017	Pierson	D14/486
D722,606 S *	2/2015	Stroupe	D784,361 S *	4/2017	Graham	D14/485
D724,618 S *	3/2015	Shin	D788,166 S *	5/2017	Hsu	D14/489
D736,792 S	8/2015	Brinda		D799,498 S *	10/2017	Graham	D14/485
D740,302 S	10/2015	Son		D800,773 S *	10/2017	Kim	D14/492
D742,910 S *	11/2015	Drozdz	D804,492 S *	12/2017	Graham	D14/485
D745,895 S	12/2015	Clare		D806,750 S *	1/2018	Van Lancker	G06F 3/04815
D750,104 S	2/2016	Bates						D14/491
D750,125 S *	2/2016	Yang	D819,667 S *	6/2018	Hasaballah	D14/486
9,254,035 B2	2/2016	Epstein		D819,668 S *	6/2018	Hasaballah	D14/486
D751,101 S *	3/2016	Ito	D824,925 S *	8/2018	Guy	D14/485
D751,584 S	3/2016	Nuovo		D833,456 S *	11/2018	Graham	D14/485
D752,065 S	3/2016	Moon		D839,897 S *	2/2019	Graham	D14/486
D752,066 S	3/2016	Moon		D847,836 S *	5/2019	Thoreson	D14/486
D752,067 S	3/2016	Moon		D852,821 S *	7/2019	Anderson	D14/485
D752,152 S	3/2016	Kissoon		D870,738 S *	12/2019	Robinson	D14/485
				2005/0010955 A1	1/2005	Elia		
				2010/0118037 A1	5/2010	Sheikh		
				2012/0185773 A1	7/2012	Wang		

* cited by examiner

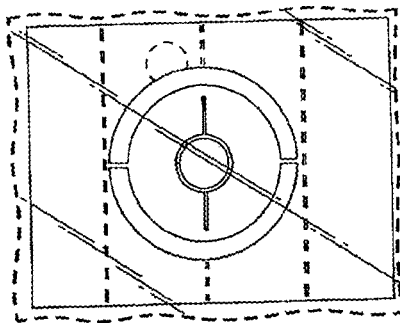


FIG. 1

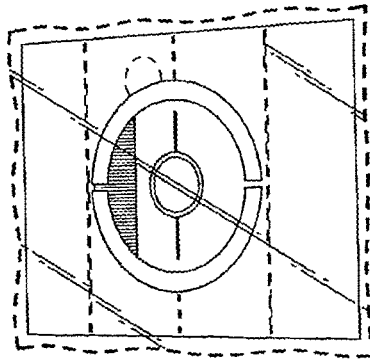


FIG. 2

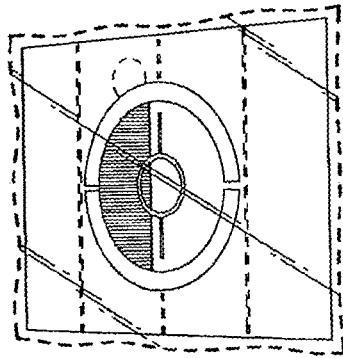


FIG. 3

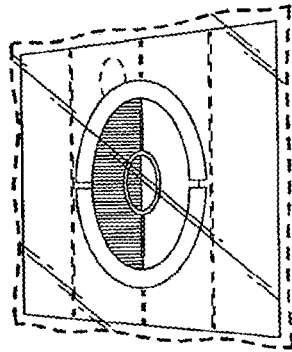


FIG. 4

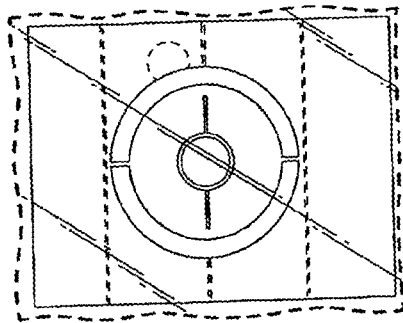


FIG. 5

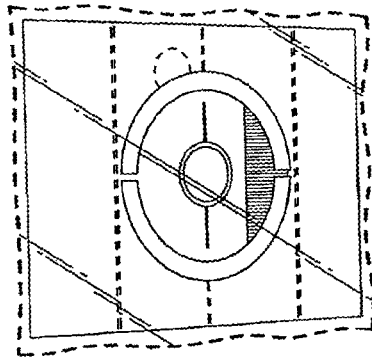


FIG. 6

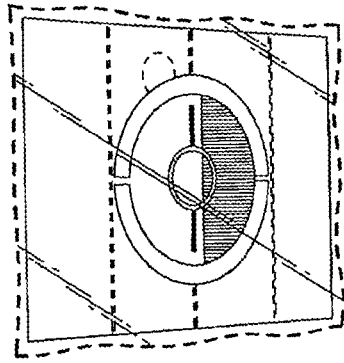


FIG. 7

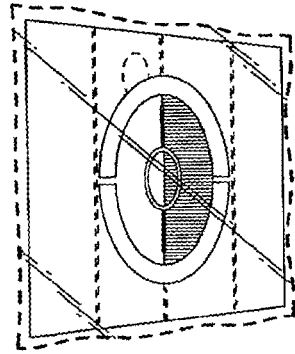


FIG. 8