



US00D489144S

(12) **United States Design Patent** (10) **Patent No.:** **US D489,144 S**
Dalton, Jr. (45) **Date of Patent:** **** Apr. 27, 2004**

(54) **LIGHT BAR** D472,986 S * 4/2003 Kim D26/28
D483,505 S * 12/2003 Schwerdtmann D26/28

(75) Inventor: **William H. Dalton, Jr.**, Tulsa, OK
(US) * cited by examiner

(73) Assignee: **Star Headlight and Lantern Co., Inc.**,
Avon, NY (US) *Primary Examiner*—Marcus A. Jackson
(74) *Attorney, Agent, or Firm*—Kenneth J. Lukacher;
Martin Lukacher

(**) Term: **14 Years**

(57) **CLAIM**

(21) Appl. No.: **29/179,918**

The ornamental design for a light bar, as shown and described.

(22) Filed: **Apr. 16, 2003**

DESCRIPTION

(51) **LOC (7) Cl.** **26-04**

(52) **U.S. Cl.** **D26/28**

(58) **Field of Search** D26/28–36; 362/61,
362/74, 80, 80.1, 83, 83.3, 267, 269, 275,
330–340; 340/463, 464, 468–475

FIG. 1 is a front elevational view of a light bar in accordance with my design;
FIG. 2 is an end elevational view thereof;
FIG. 3 is a rear elevational view thereof;
FIG. 4 is a top perspective view thereof;
FIG. 5 is a bottom perspective view thereof;
FIG. 6 is a top plan view thereof;
FIG. 7 is a bottom plan view thereof; and
FIG. 8 is a front elevational view of a second embodiment similar to FIG. 1, the other views thereof being like FIGS. 2–7; and,
FIG. 9 is a front elevational view of a third embodiment similar to FIG. 1, the other views thereof being like FIGS. 2–7.

(56) **References Cited**

U.S. PATENT DOCUMENTS

4,788,630	A	11/1988	Gavagan	
4,981,363	A	1/1991	Lipman	
5,660,457	A	8/1997	Lyons	
5,826,965	A	10/1998	Lyons	
5,988,839	A	11/1999	Pokorney et al.	
D443,939	S	* 6/2001	Thomas	
D447,825	S	* 9/2001	Lee	D26/28
D451,218	S	* 11/2001	Bernier	D26/28
D461,574	S	* 8/2002	Helmke, III	D26/28

1 Claim, 4 Drawing Sheets





FIG. 1



FIG. 8



FIG. 9



FIG. 2



FIG. 3

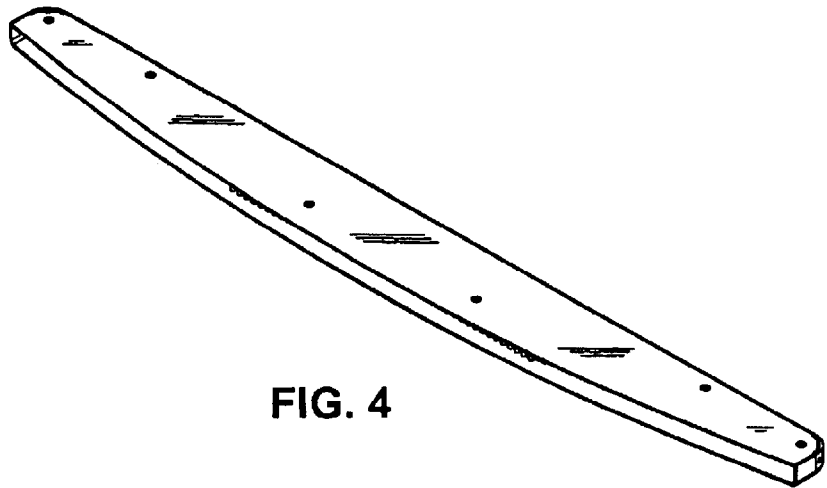


FIG. 4

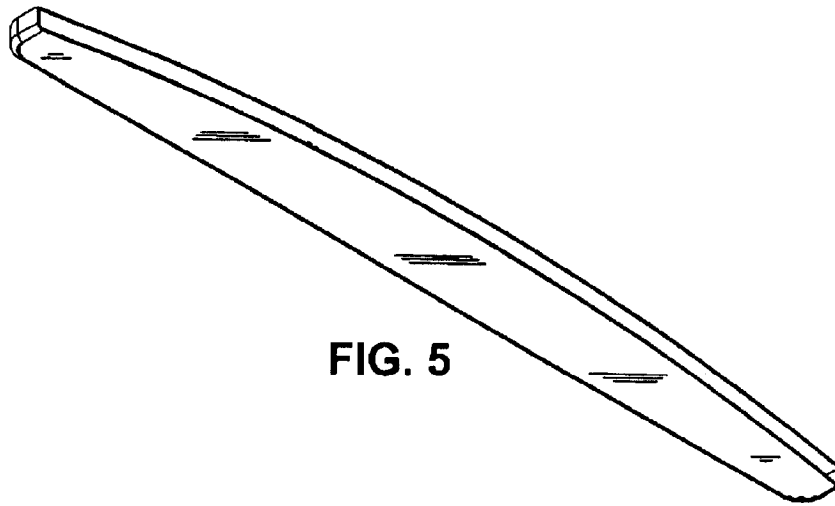


FIG. 5



FIG. 6



FIG. 7