



US00D790530S

(12) **United States Design Patent**
Mangeot

(10) **Patent No.:** **US D790,530 S**

(45) **Date of Patent:** **** Jun. 27, 2017**

(54) **INTERACTIVE CONTROL TERMINAL**

D615,319 S * 5/2010 Tuskiewicz D6/657
7,845,102 B2 * 12/2010 Choi G09F 13/00

(71) Applicant: **AKSOR**, Saint-Thibault-des-Vignes
(FR)

D695,285 S * 12/2013 Smith D14/307

D696,658 S * 12/2013 Winston D14/307

(72) Inventor: **Jacques Mangeot**, Bussy-Saint-Georges
(FR)

D702,415 S * 4/2014 Kimoto D99/43

D727,308 S * 4/2015 Kraft D14/307

D735,964 S * 8/2015 Randall D99/28

D737,808 S * 9/2015 Naumann D14/307

(73) Assignee: **AKSOR** (FR)

D742,870 S * 11/2015 Berini D14/307

D751,061 S * 3/2016 Berini D14/307

(**) Term: **15 Years**

D755,173 S * 5/2016 Sheldon D14/307

D760,711 S * 7/2016 Berini D14/307

(21) Appl. No.: **35/500,291**

D761,783 S * 7/2016 Kulkarni D14/300

(22) Filed: **Nov. 2, 2015**

D762,040 S * 7/2016 King D99/28

D762,635 S * 8/2016 Szeredi D14/307

D763,844 S * 8/2016 Gonzalez Solis D14/307

D765,340 S * 8/2016 Lee D99/28

(80) **Hague Agreement Data**

* cited by examiner

Int. Filing Date: **Aug. 5, 2015**

Int. Reg. No.: **DM/088154**

Int. Reg. Date: **Nov. 2, 2015**

Int. Reg. Pub. Date: **Nov. 27, 2015**

Primary Examiner — Rhea Shields

(74) *Attorney, Agent, or Firm* — Katten Muchin

Rosenman LLP

(51) **LOC (10) Cl.** **14-02**

(57) **CLAIM**

(52) **U.S. Cl.**

The ornamental design for an interactive control terminal, as shown and described.

USPC **D14/307**

(58) **Field of Classification Search**

DESCRIPTION

USPC D14/307, 309; D99/28, 43; D6/657;
353/94

CPC G09F 13/00

See application file for complete search history.

1.1 is a front perspective view;

1.2 is a front view;

1.3 is a back view;

1.4 is a side view;

1.5 is a side view;

1.6 is a top view; and

1.7 is a bottom view.

(56) **References Cited**

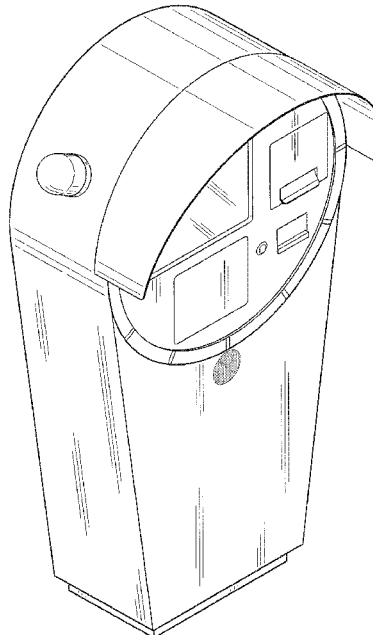
U.S. PATENT DOCUMENTS

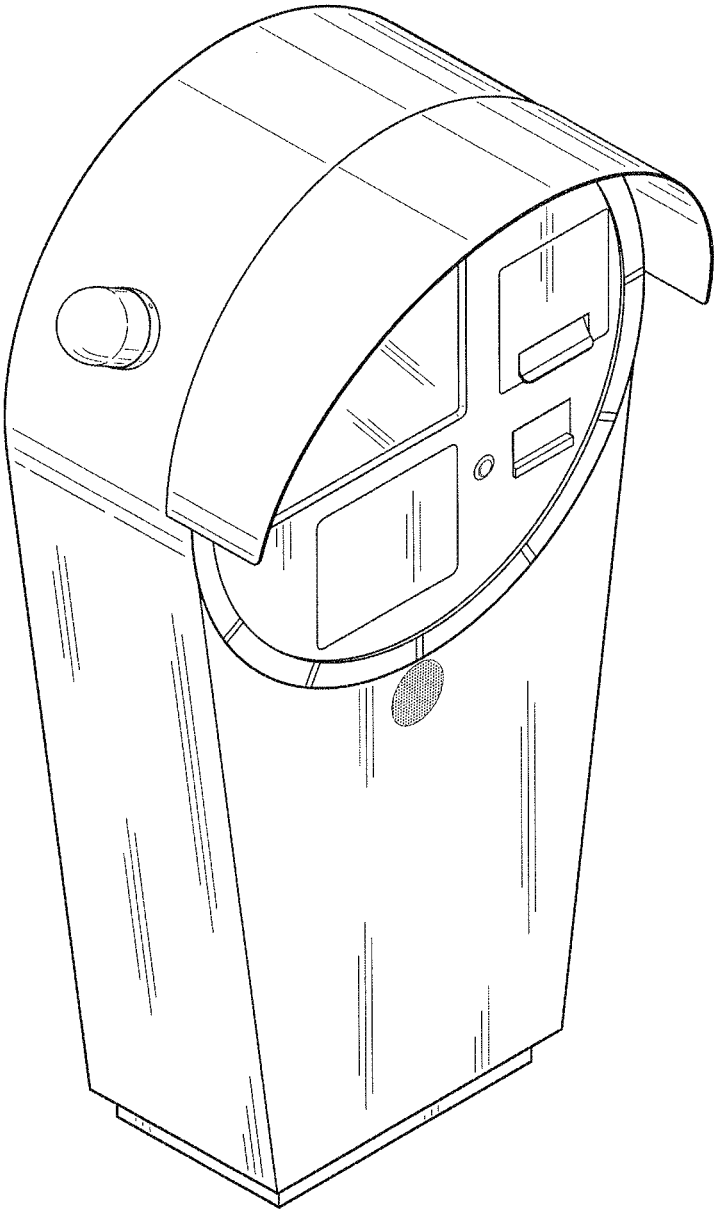
1 Claim, 7 Drawing Sheets

D515,080 S * 2/2006 Esplo D14/307

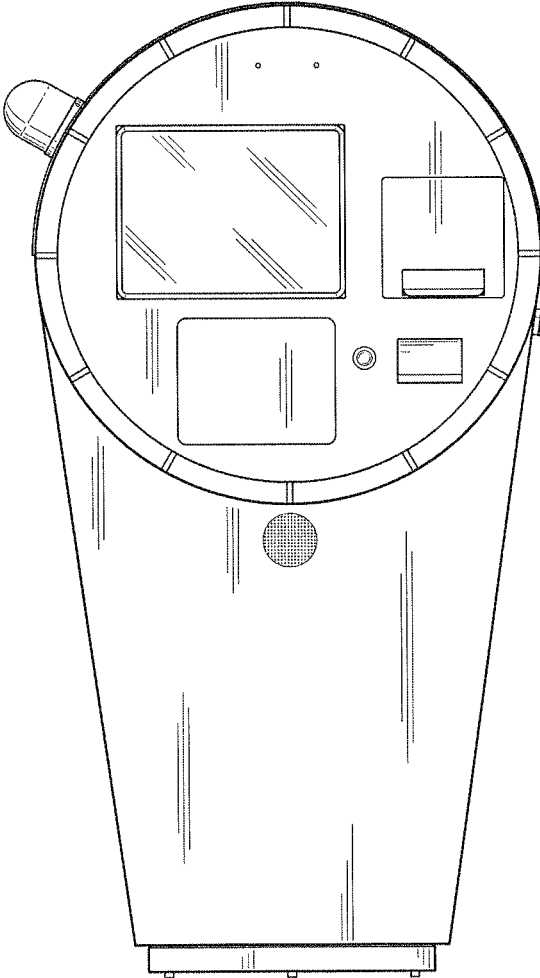
D532,782 S * 11/2006 Russo D14/307

D602,225 S * 10/2009 Lute D99/28

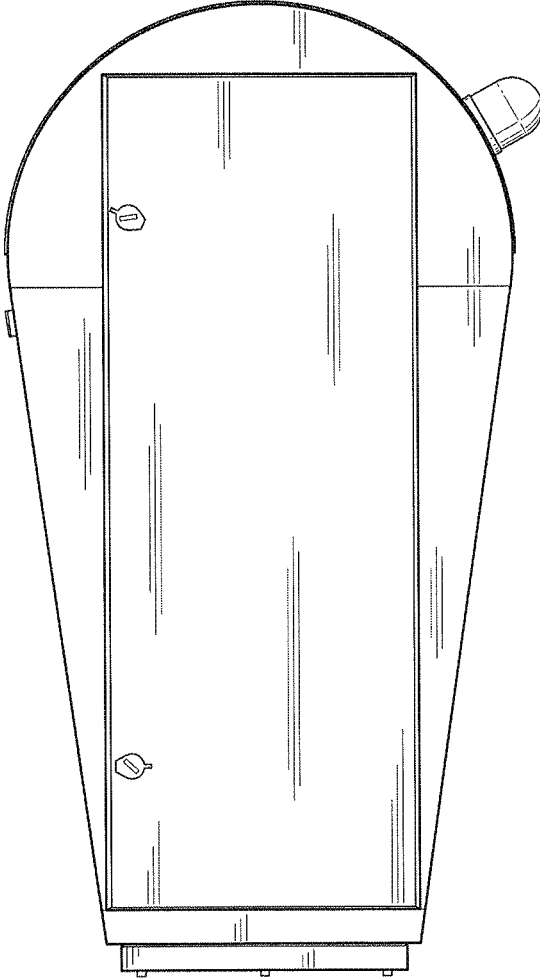




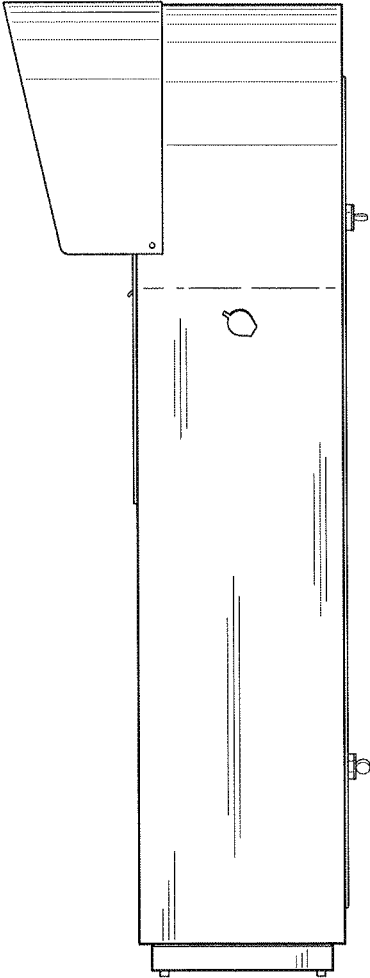
1.1



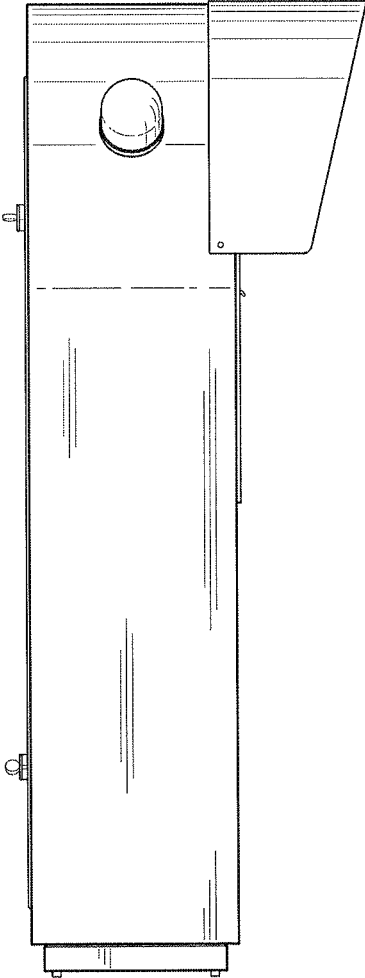
1.2



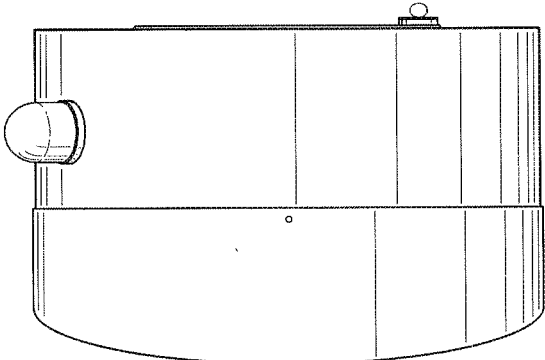
1.3



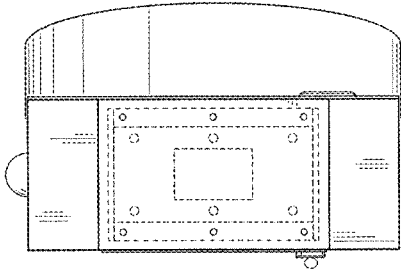
1.4



1.5



1.6



1.7