



US00D949780S

(12) **United States Design Patent** (10) **Patent No.:** **US D949,780 S**
Diebel et al. (45) **Date of Patent:** **** Apr. 26, 2022**

(54) **BATTERY FOR AN ELECTRONIC DEVICE**

D327,868 S 7/1992 Oka
5,180,644 A 1/1993 Bresin et al.
D337,984 S 8/1993 Lindahl
D348,247 S 6/1994 Cooper

(71) Applicant: **Apple Inc.**, Cupertino, CA (US)

(72) Inventors: **Markus Diebel**, San Francisco, CA (US); **Melody L. Kuna**, Palo Alto, CA (US); **Carli E. Oster**, San Francisco, CA (US); **Florence Wong Ow**, Burlingame, CA (US); **Mikael Silvanto**, San Francisco, CA (US); **Alex Chun Lap Yeung**, South San Francisco, CA (US)

(Continued)

FOREIGN PATENT DOCUMENTS

JP D1470109 5/2013
TW 171302 10/1991

OTHER PUBLICATIONS

iPhone 5C Teardown, ifixit.com, [Retrieved on Oct. 26, 2015], Retrieved from the Internet: (URL: <https://www.ifixit.com/Teardown/iPhone+5c+Teardown/17382>).

(Continued)

Primary Examiner — Nathaniel D. Buckner
(74) *Attorney, Agent, or Firm* — Sterne, Kessler, Goldstein & Fox P.L.L.C.

(73) Assignee: **Apple Inc.**, Cupertino, CA (US)

(**) Term: **15 Years**

(21) Appl. No.: **29/687,166**

(22) Filed: **Apr. 11, 2019**

Related U.S. Application Data

(63) Continuation of application No. 29/662,277, filed on Sep. 4, 2018, now abandoned.

(51) **LOC (13) Cl.** **13-02**

(52) **U.S. Cl.**
USPC **D13/103**

(58) **Field of Classification Search**

USPC D13/102–106, 110, 118–119, 184
CPC . Y02E 60/10; H01M 2220/30; H01M 50/209;
H01M 50/213; H01M 50/183; H01M
50/10; H01M 50/529; H01M 50/531;
H01M 10/0525; H01M 10/0436; H01M
10/052; H01M 10/0565; H01M 10/30;
H01M 10/345; H01M 10/425; H01M
2010/0495; B25F 5/02; B25F 5/00; A61B
2017/00734

See application file for complete search history.

(56) **References Cited**

U.S. PATENT DOCUMENTS

D310,367 S 9/1990 Dockery
D320,649 S 10/1991 Fleming

(57) **CLAIM**

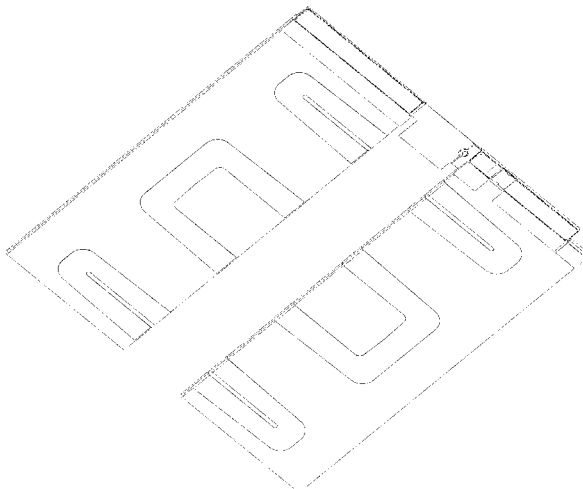
The ornamental design for a battery for an electronic device, as shown and described.

DESCRIPTION

FIG. 1 is a bottom front perspective view of a battery for an electronic device showing the claimed design; FIG. 2 is a bottom rear perspective view thereof; FIG. 3 is a front view thereof; FIG. 4 is a rear view thereof; FIG. 5 is a left side view thereof; FIG. 6 is a right side view thereof; FIG. 7 is a top view thereof; and, FIG. 8 is a bottom view thereof.

The broken lines in the figures show portions of the battery for an electronic device that form no part of the claimed design.

1 Claim, 6 Drawing Sheets



(56)

References Cited

U.S. PATENT DOCUMENTS

- | | | | | | | | |
|-----------|------|---------|---------------------|--------------|------|---------|------------------------------|
| 5,326,651 | A | 7/1994 | Mehta et al. | D709,822 | S | 7/2014 | Kwon et al. |
| D356,992 | S | 4/1995 | Dilgard | D709,823 | S | 7/2014 | Corley et al. |
| 5,436,089 | A | 7/1995 | Fedele | D711,310 | S | 8/2014 | Sanders |
| D374,424 | S | 10/1996 | Nagele | D711,311 | S | 8/2014 | Corbin et al. |
| 5,601,942 | A | 2/1997 | Fedele | D712,345 | S | 9/2014 | Kwon et al. |
| D407,063 | S | 3/1999 | Reis | D712,346 | S | 9/2014 | Kwon et al. |
| D409,973 | S | 5/1999 | Iwamoto | D712,835 | S | 9/2014 | Yasuda et al. |
| D422,263 | S | 4/2000 | Waldner | D713,785 | S | 9/2014 | Tehrani |
| D435,827 | S | 1/2001 | Rausch | D714,718 | S | 10/2014 | Loeckenhoff et al. |
| D440,201 | S | 4/2001 | Huynh et al. | D716,721 | S | 11/2014 | Kwon et al. |
| D442,915 | S | 5/2001 | Sasaoka | D716,722 | S | 11/2014 | Kwon et al. |
| D454,544 | S | 3/2002 | Takach, Jr. et al. | D716,723 | S | 11/2014 | Kwon et al. |
| D460,411 | S | 7/2002 | Wang | D717,800 | S | 11/2014 | Akana et al. |
| D477,275 | S | 7/2003 | Wada | D718,753 | S | 12/2014 | Akana et al. |
| D479,193 | S | 9/2003 | Fujihara et al. | D719,085 | S | 12/2014 | Aoyagi et al. |
| D485,530 | S | 1/2004 | Ogasawara | D719,087 | S | 12/2014 | Bataillou et al. |
| D489,325 | S | 5/2004 | Nakamura | D724,014 | S | 3/2015 | Kwon et al. |
| D494,924 | S | 8/2004 | Maruyama | D724,015 | S | 3/2015 | Kwon et al. |
| 6,773,848 | B1 * | 8/2004 | Nortoft | D724,016 | S | 3/2015 | Kwon et al. |
| | | | H01M 50/581 | D724,017 | S | 3/2015 | Kwon et al. |
| | | | 429/158 | D724,019 | S | 3/2015 | Kwon et al. |
| D495,992 | S | 9/2004 | Lim | D724,020 | S | 3/2015 | Kwon et al. |
| 6,884,540 | B2 | 4/2005 | Chikada | D724,021 | S | 3/2015 | Kwon et al. |
| D516,026 | S | 2/2006 | Barrett et al. | D724,022 | S | 3/2015 | Kwon et al. |
| D517,478 | S | 3/2006 | Bayat et al. | D724,528 | S | 3/2015 | Kwon et al. |
| D519,919 | S | 5/2006 | Yokota | D724,529 | S | 3/2015 | Kwon et al. |
| D532,363 | S | 11/2006 | Morisawa | D724,530 | S | 3/2015 | Kwon et al. |
| D535,249 | S | 1/2007 | Ogasawara | D724,532 | S | 3/2015 | Kwon et al. |
| D538,225 | S | 3/2007 | Lyman et al. | D724,533 | S | 3/2015 | Kwon et al. |
| D546,277 | S | 7/2007 | Andre et al. | D729,805 | S | 5/2015 | Bataillou et al. |
| D548,176 | S | 8/2007 | Eto et al. | D738,821 | S | 9/2015 | Banko et al. |
| D548,686 | S | 8/2007 | Eto et al. | D743,399 | S | 11/2015 | Frank |
| 7,595,129 | B2 | 9/2009 | Kato | D758,961 | S | 6/2016 | Aoyagi et al. |
| D614,124 | S | 4/2010 | Mistyurik | D765,625 | S | 9/2016 | Akana et al. |
| D625,263 | S | 10/2010 | Takuma | 9,570,775 | B2 | 2/2017 | Huang et al. |
| D635,506 | S | 4/2011 | Morisawa | 9,711,770 | B2 | 7/2017 | Anastas et al. |
| D637,157 | S | 5/2011 | Andre et al. | 9,735,595 | B2 | 8/2017 | Colahan et al. |
| D637,193 | S | 5/2011 | Andre et al. | D805,027 | S * | 12/2017 | Andre D13/103 |
| D642,515 | S | 8/2011 | Crawford et al. | D807,824 | S | 1/2018 | Krivosnak et al. |
| D653,611 | S | 2/2012 | Lee et al. | D808,897 | S | 1/2018 | Mascolo et al. |
| D655,673 | S | 3/2012 | Masui | D810,011 | S * | 2/2018 | Nelson H01M 10/058 |
| D658,583 | S | 5/2012 | Andre et al. | | | | D13/103 |
| 8,168,319 | B2 | 5/2012 | Spare et al. | 9,887,403 | B2 | 2/2018 | Huang et al. |
| D666,148 | S * | 8/2012 | Inaba D13/119 | D830,964 | S * | 10/2018 | Aoyagi D13/103 |
| D669,427 | S | 10/2012 | Ignor et al. | D843,934 | S * | 3/2019 | Tan D13/103 |
| D669,849 | S | 10/2012 | Morisawa | D906,234 | S * | 12/2020 | Bigdeli D13/103 |
| 8,309,245 | B2 | 11/2012 | Coish et al. | D910,545 | S * | 2/2021 | Dinh D13/103 |
| D672,713 | S | 12/2012 | Masui | 2002/0094475 | A1 | 7/2002 | Aoyama |
| D674,749 | S * | 1/2013 | Moore D13/119 | 2009/0274953 | A1 | 11/2009 | Myers et al. |
| D677,620 | S | 3/2013 | Corbin et al. | 2012/0208046 | A1 | 8/2012 | Koh |
| D678,184 | S | 3/2013 | Banko et al. | 2014/0065474 | A1 | 3/2014 | Werner et al. |
| D678,188 | S | 3/2013 | Sasada | 2014/0265915 | A1 | 9/2014 | Huang et al. |
| D684,529 | S | 6/2013 | Moon et al. | 2014/0272541 | A1 | 9/2014 | Huang et al. |
| D684,530 | S | 6/2013 | Moon et al. | 2014/0273890 | A1 | 9/2014 | Huang et al. |
| D684,531 | S | 6/2013 | Moon et al. | 2015/0044511 | A1 * | 2/2015 | Kim H01M 50/502 |
| D684,532 | S | 6/2013 | Ignor et al. | | | | 429/7 |
| D684,926 | S | 6/2013 | Murchison et al. | 2015/0311495 | A1 * | 10/2015 | Wang H01M 50/209 |
| D685,319 | S | 7/2013 | Ignor et al. | | | | 429/121 |
| D685,731 | S | 7/2013 | Brown et al. | 2020/0243809 | A1 * | 7/2020 | Nordstrand H01M 50/543 |
| D686,147 | S | 7/2013 | Morisawa | 2020/0328385 | A1 * | 10/2020 | Hou H01M 50/502 |
| D686,148 | S | 7/2013 | Inaba | | | | |
| D689,018 | S | 9/2013 | Honda et al. | | | | |
| D692,823 | S | 11/2013 | Tanaka | | | | |
| D693,292 | S | 11/2013 | Salvi et al. | | | | |
| D696,186 | S | 12/2013 | Kannou et al. | | | | |
| D697,479 | S | 1/2014 | Andre et al. | | | | |
| D700,137 | S | 2/2014 | Ashida et al. | | | | |
| 8,703,322 | B2 | 4/2014 | Lee et al. | | | | |
| D704,625 | S | 5/2014 | Tsutsumi et al. | | | | |
| D708,128 | S | 7/2014 | Andre et al. | | | | |
| D708,269 | S | 7/2014 | Moore et al. | | | | |
| D709,026 | S | 7/2014 | Lee et al. | | | | |
| D709,440 | S | 7/2014 | Kwon et al. | | | | |
| D709,441 | S | 7/2014 | Kwon et al. | | | | |
| D709,442 | S | 7/2014 | Kwon et al. | | | | |
| D709,443 | S | 7/2014 | Kwon et al. | | | | |

OTHER PUBLICATIONS

- Kazmucha, A., "How to Replace the Battery in an iPhone 4S," iMore, [Retrieved on Aug. 28, 2012], Retrieved from the Internet: (URL: <http://www.imore.com/how-diy-replace-battery-iphone-4s>).
- Klug, B., "Motorola Droid Bionic Review" Retrieved on Oct. 11, 2011, AnandTech, Retrieved from the Internet: (URL: <https://www.anandtech.com/show/4910/motorola-droid-bionic-review-dual-core-with-4g-lte/2>).
- Leather, A., "How to Replace the iPhone 5's Battery," Forbes, Retrieved on Oct. 31, 2013, Retrieved from the Internet: (URL: <http://www.forbes.com/sites/antonyleather/2013/10/31/how-to-replace-the-i-phone-5s-battery/>).
- New Original Battery for Apple iPhone 6 4.7 inch Cellphone Baterai 1810mAh 3.8V, Retrieved on Oct. 9, 2015, Retrieved from the

(56)

References Cited

OTHER PUBLICATIONS

Internet: (URL: Hyratech.com <https://www.hyratech.com/product.php?productid=8743cat=28644&page=1>).

Original iPhone 6 Battery Replacement, iPhonefix UK, Retrieved on Oct. 9, 2015, Retrieved from the Internet: (URL: <http://www.iphonefixuk.co.uk/products/original-iphone-6-battery-replacement>).

* cited by examiner

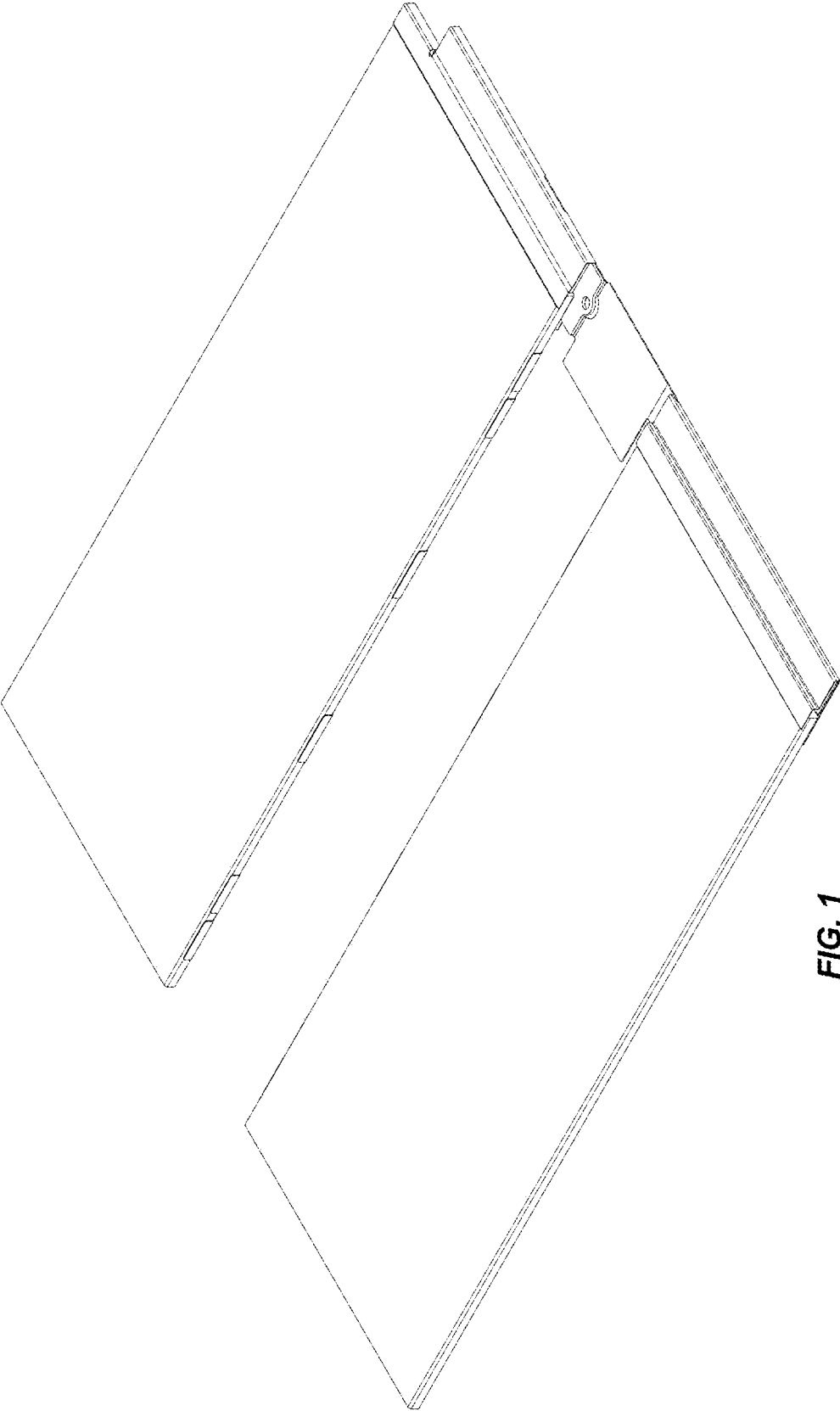


FIG. 1

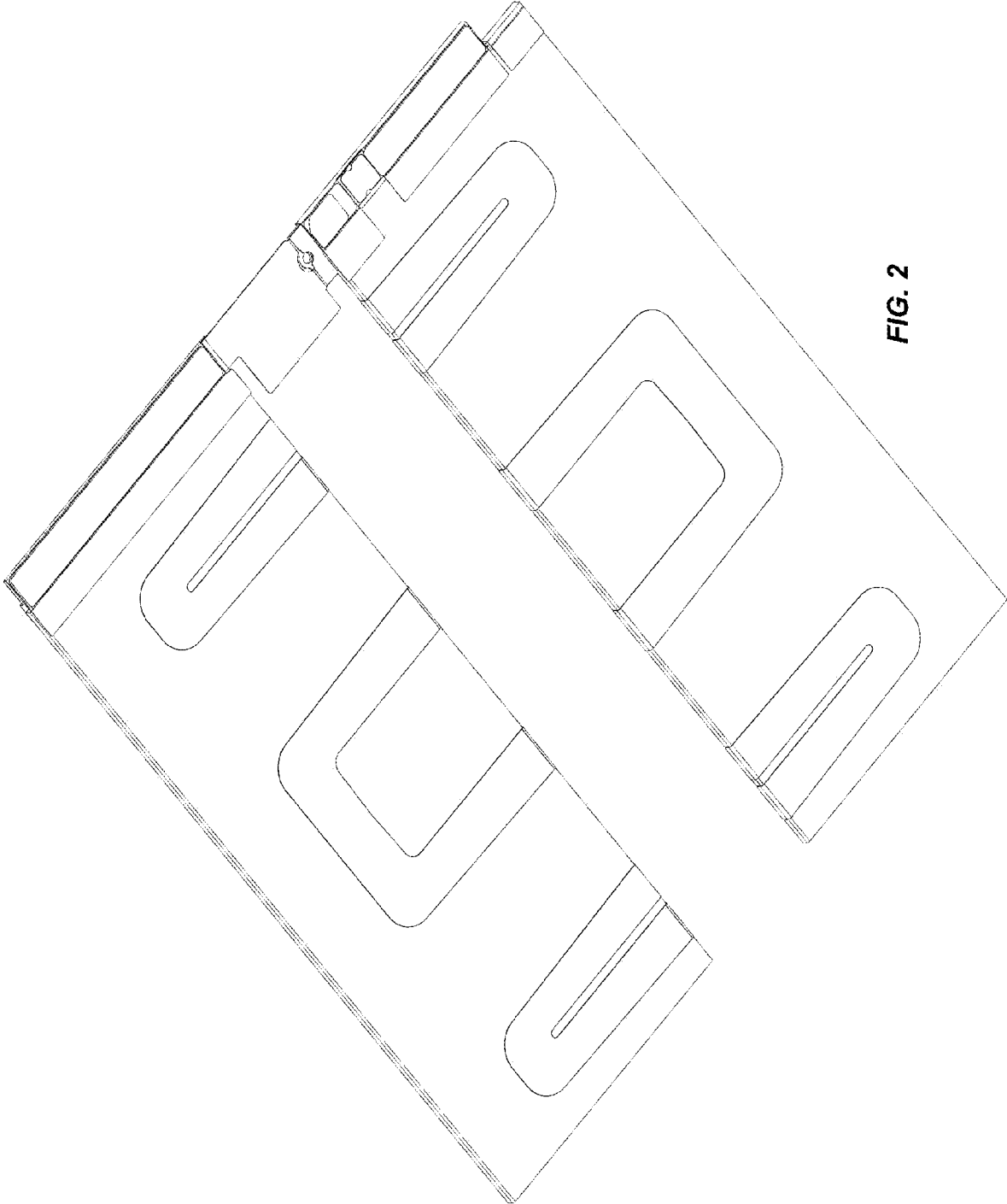


FIG. 2

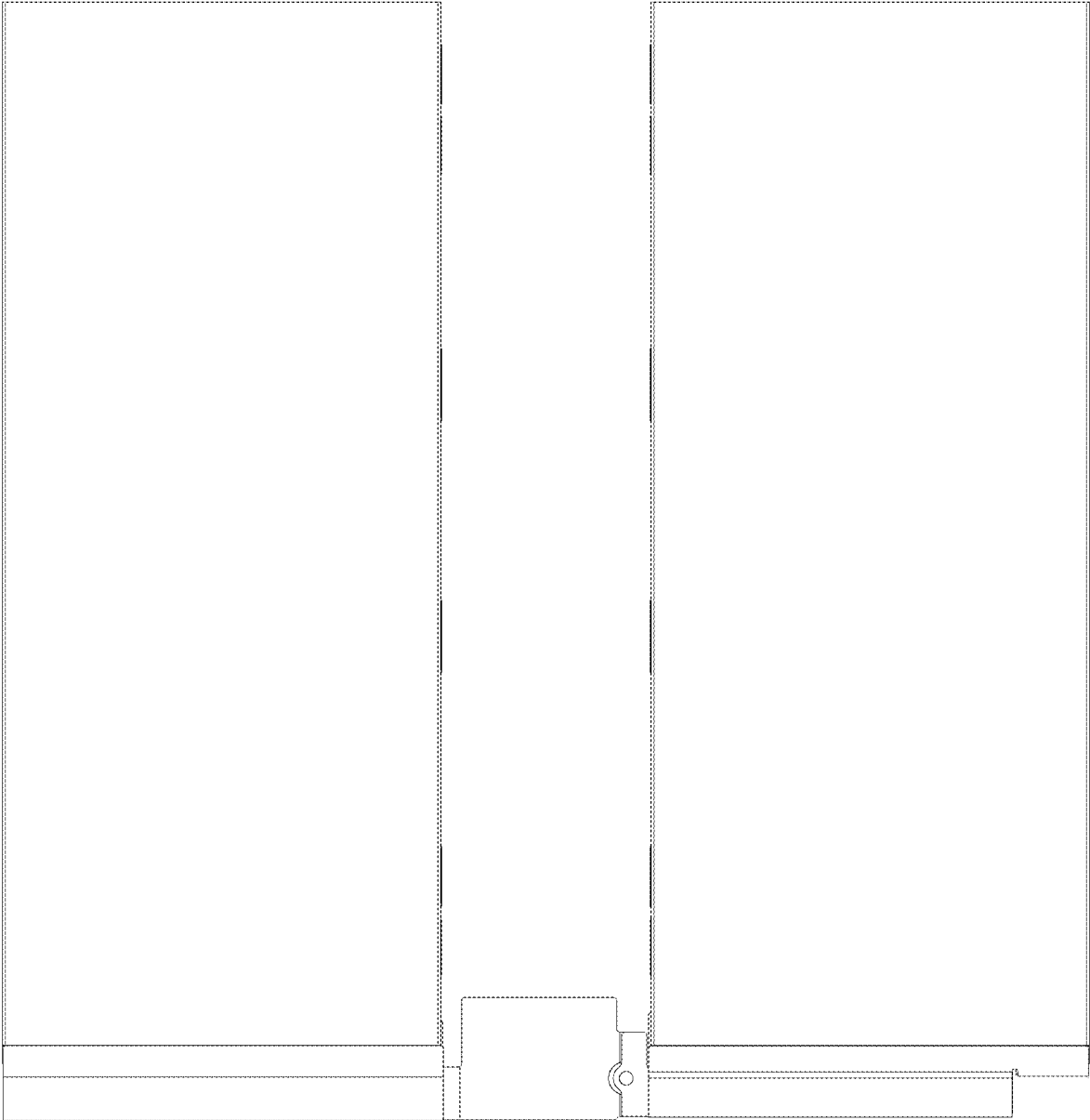


FIG. 3

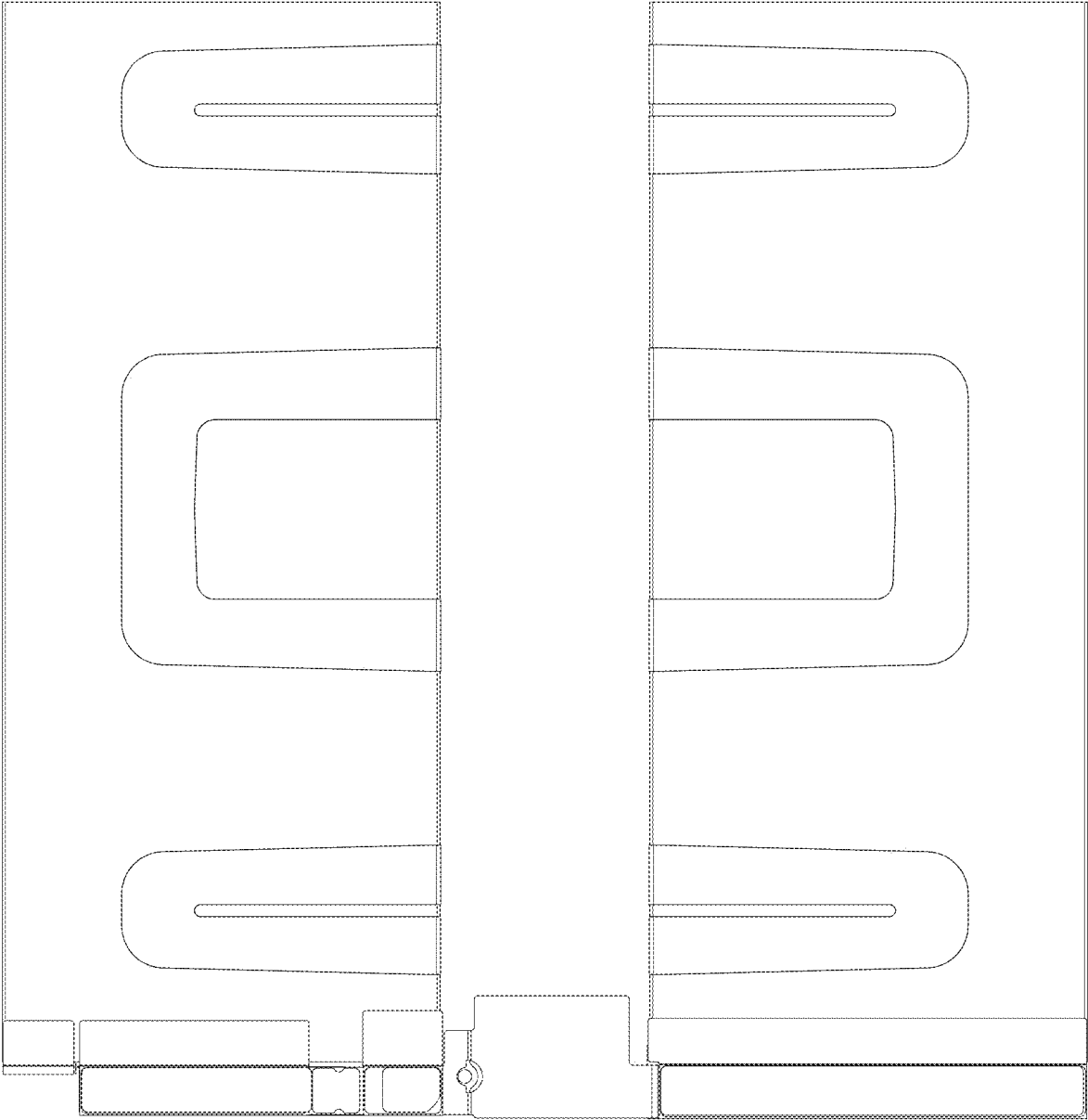


FIG. 4



FIG. 5



FIG. 6



FIG. 7



FIG. 8