



US00D930175S

(12) **United States Design Patent**
Arazi et al.

(10) **Patent No.:** **US D930,175 S**

(45) **Date of Patent:** **** Sep. 7, 2021**

(54) **BACKPACK MESSAGE DEVICE**

(71) Applicants: **Albert Arazi**, Brooklyn, NY (US);
Ching-Yi Tang, Brooklyn, NY (US)

(72) Inventors: **Albert Arazi**, Brooklyn, NY (US);
Ching-Yi Tang, Brooklyn, NY (US)

(73) Assignee: **Global Trading and Promotion, Inc.**,
Brooklyn, NY (US)

(**) Term: **15 Years**

(21) Appl. No.: **29/681,097**

(22) Filed: **Feb. 22, 2019**

(51) **LOC (13) Cl.** **28-03**

(52) **U.S. Cl.**
USPC **D24/215**

(58) **Field of Classification Search**
USPC D3/214, 215; D29/100, 101.1, 101.2;
D30/144, 145, 151, 152; D24/190, 215
CPC . A61H 23/02; A61H 2201/1619; A61H 7/001
See application file for complete search history.

(56) **References Cited**

U.S. PATENT DOCUMENTS

D263,641	S	*	4/1982	Nandorf	D29/101.1
D270,109	S	*	8/1983	Bluemel	D2/829
D279,520	S	*	7/1985	Brinson, Jr.	D2/626
D293,354	S	*	12/1987	Nelson	D21/683
D300,475	S	*	3/1989	Caulder	D29/101.1
D332,506	S	*	1/1993	Reeves	D29/101.1
D389,584	S	*	1/1998	Leventhal	D24/200
D389,585	S	*	1/1998	Leventhal	D24/200
D409,697	S	*	5/1999	Ott	D21/683

(Continued)

OTHER PUBLICATIONS

Amazon, "Brace", Dec. 4, 2017. https://www.amazon.com/Posture-Corrector-Support-Clavicle-Shoulder/dp/B076PTRNGB/ref=sr_1_51_sspa?dchild=1&keywords=MASSAGE+HARNESS&qid=

1599055333&sr=8-51-spons&psc=1&spLa=ZW5jcnlwdGVkUXVhbGlnaWVyPUEzU1NXMDNOOFI5RldVJmVuY3J5cHRIZEikPUeWmZzMDIyMURaRnJZDSzFHSSuHTCZlbnNyeX (Year: 2017).*
(Continued)

Primary Examiner — Cynthia Ramirez
Assistant Examiner — Michael A Maharajh
(74) *Attorney, Agent, or Firm* — Ezra Sutton

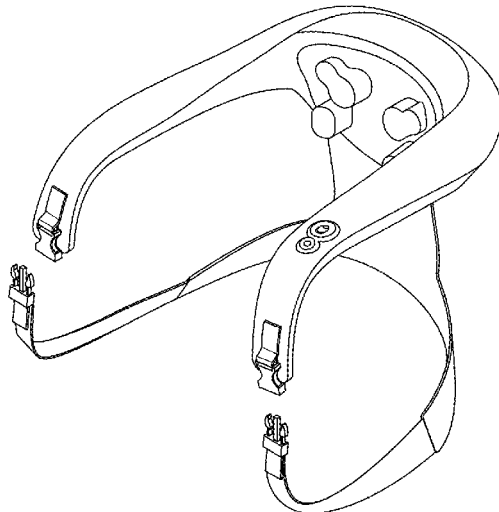
(57) **CLAIM**

The ornamental design for a backpack message device, as shown and described.

DESCRIPTION

FIG. 1 is a perspective view of a first embodiment of a backpack message device showing our new design;
FIG. 2 is a top elevational view of the first embodiment thereof;
FIG. 3 is a bottom elevational view of the first embodiment thereof;
FIG. 4 is a front elevational view of the first embodiment thereof;
FIG. 5 is a right side view of the first embodiment thereof;
FIG. 6 is a rear elevational view of the first embodiment thereof;
FIG. 7 is a left side view of the first embodiment thereof;
FIG. 8 is a perspective view of a second embodiment thereof;
FIG. 9 is a front elevational view of the second embodiment thereof;
FIG. 10 is a right side view of the second embodiment thereof;
FIG. 11 is a rear elevational view of the second embodiment thereof;
FIG. 12 is a bottom elevational view of the second embodiment thereof;
FIG. 13 is a top elevational view of the second embodiment thereof; and,
FIG. 14 is a left side view of the second embodiment thereof.

1 Claim, 5 Drawing Sheets



(56)

References Cited

U.S. PATENT DOCUMENTS

D649,655 S * 11/2011 Petersen D24/215
D696,735 S * 12/2013 Jaidar D21/680
D735,876 S * 8/2015 Wolff D24/215
D760,440 S * 6/2016 Lifshitz D29/101.1
D816,858 S * 5/2018 Gan D24/215
D817,508 S * 5/2018 Gan D24/215
D823,556 S * 7/2018 Yun D30/152
D831,276 S * 10/2018 Pennington, Jr. D29/101.1
D833,735 S * 11/2018 Hauser D3/214
D847,356 S * 4/2019 Chen D24/190
D850,021 S * 5/2019 Yun D30/152
D851,263 S * 6/2019 Thompson D24/190
D852,423 S * 6/2019 Pennington, Jr. D29/100
D856,591 S * 8/2019 Davies D29/101.1
D862,002 S * 10/2019 Wu D30/152
D862,004 S * 10/2019 Yun D30/152
D866,866 S * 11/2019 Dickens D29/101.4
D878,610 S * 3/2020 Boston D24/190
D878,684 S * 3/2020 Zimmermann D30/152
2016/0059063 A1 * 3/2016 Breibart A63B 23/185
482/123
2018/0055442 A1 * 3/2018 Freeman A61N 1/3993
2020/0222274 A1 * 7/2020 Zhijian A61H 23/02
2020/0323729 A1 * 10/2020 Arazi A61H 23/0254

OTHER PUBLICATIONS

Amazon, "Massage Wrap", Nov. 3, 2018. https://www.amazon.com/Vibration-Adjustable-Intensity-Shoulder-Relieves/dp/B07GZVHVC/ref=sr_1_9?dchild=1&keywords=MASSAGE+VEST&qid=1599055684&sr=8-9. Shown on p. 1. (Year: 2018).*

* cited by examiner

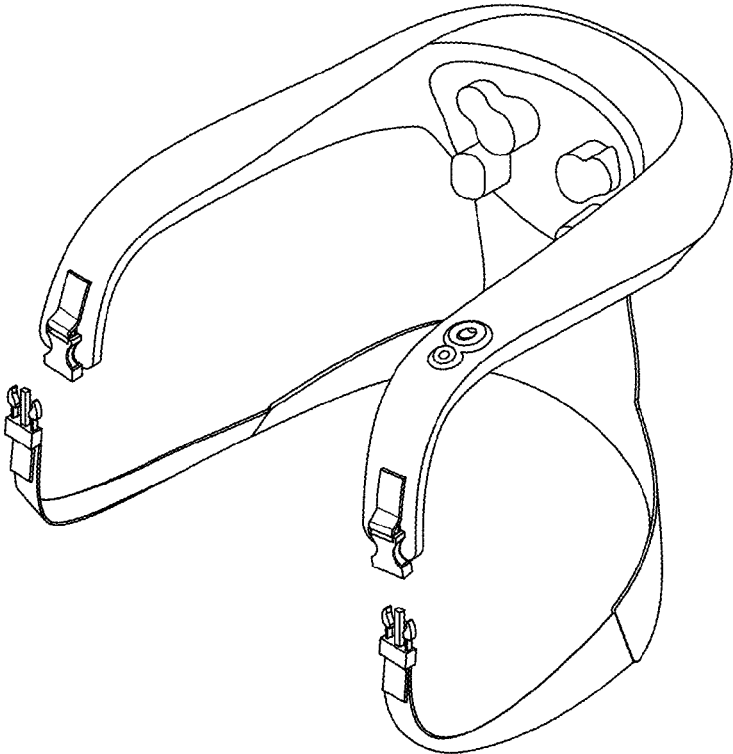


FIG. 1

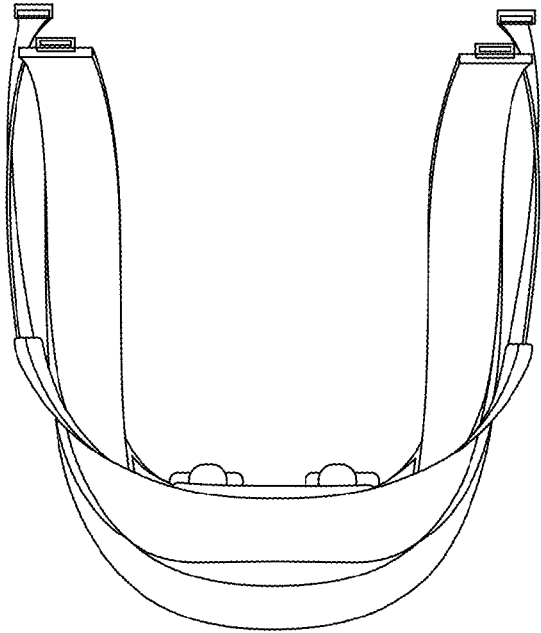


FIG. 3

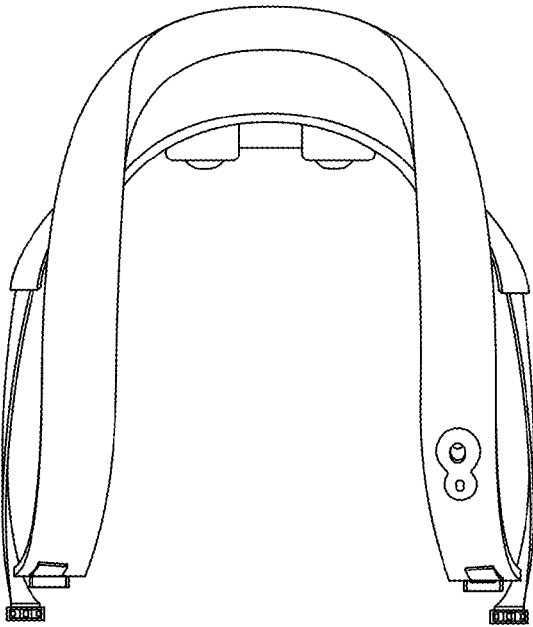


FIG. 2

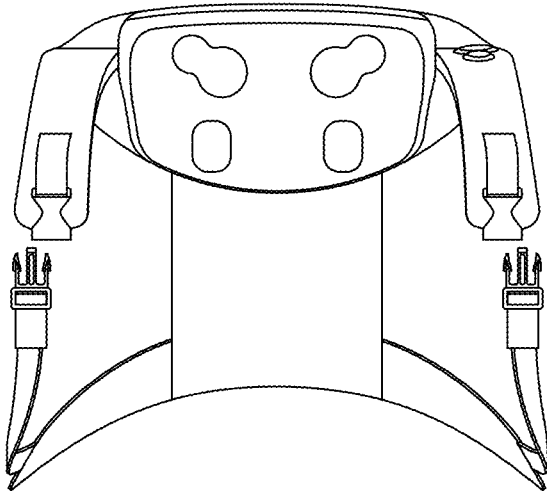


FIG. 4

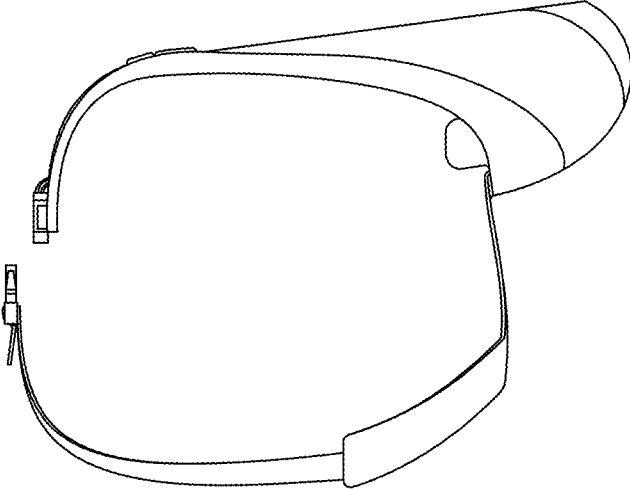


FIG. 5

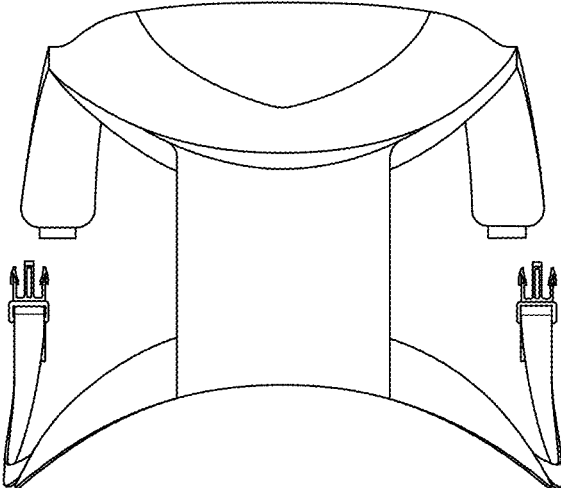


FIG. 6

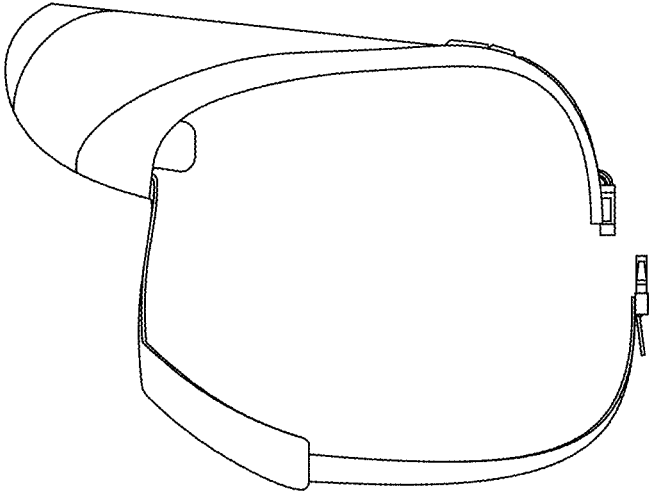


FIG. 7

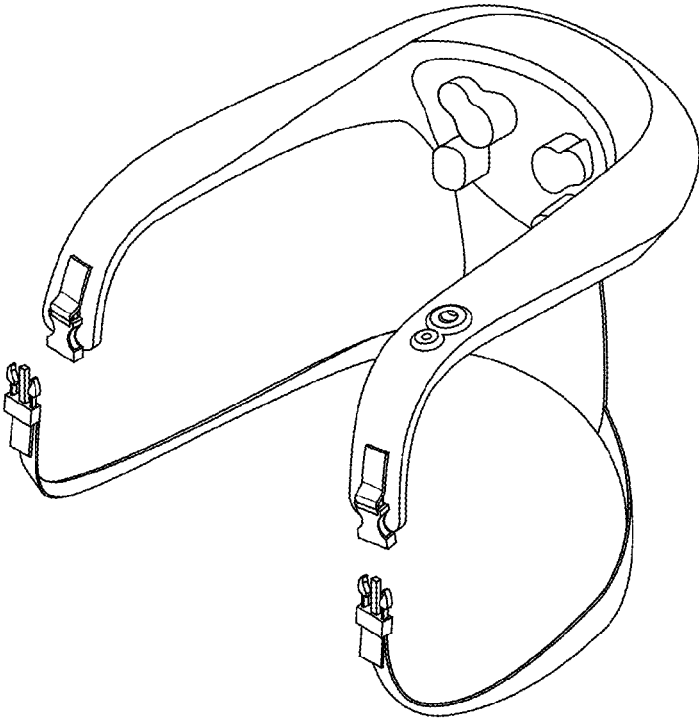


FIG. 8

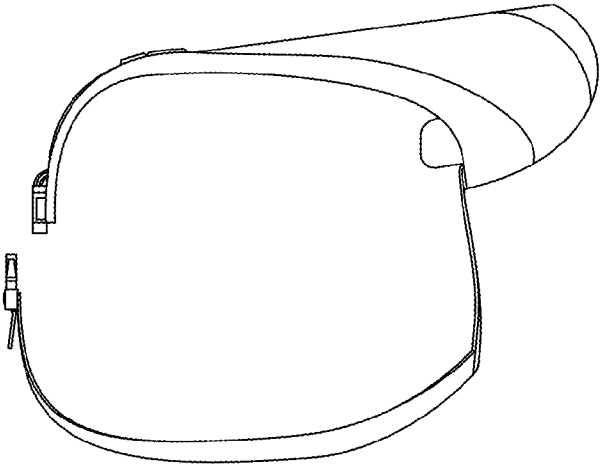


FIG. 10

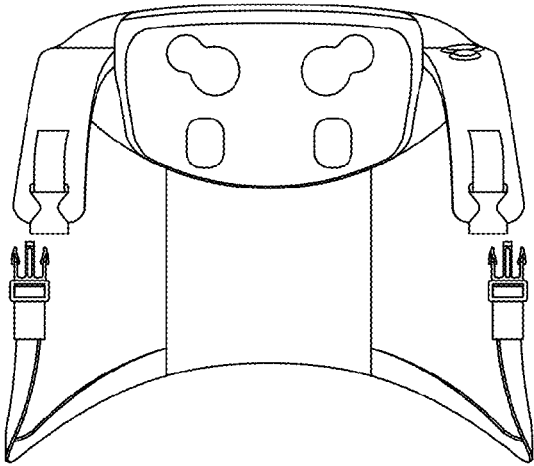


FIG. 9

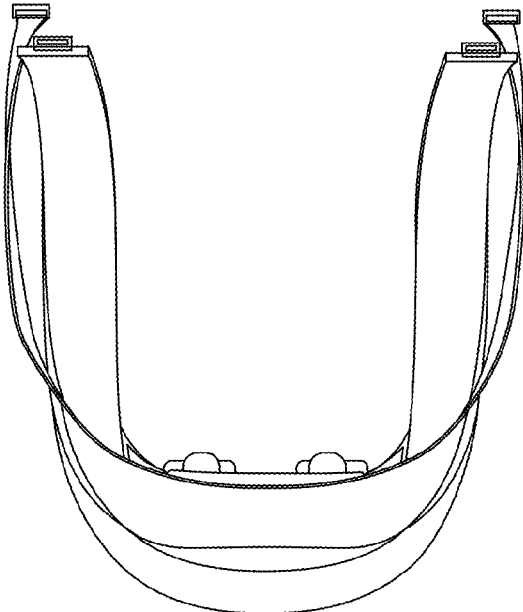


FIG. 12

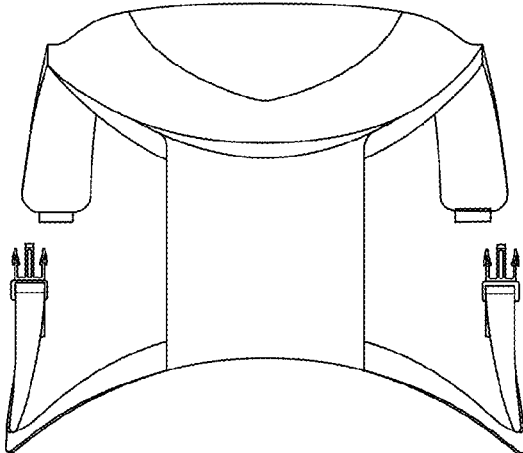


FIG. 11

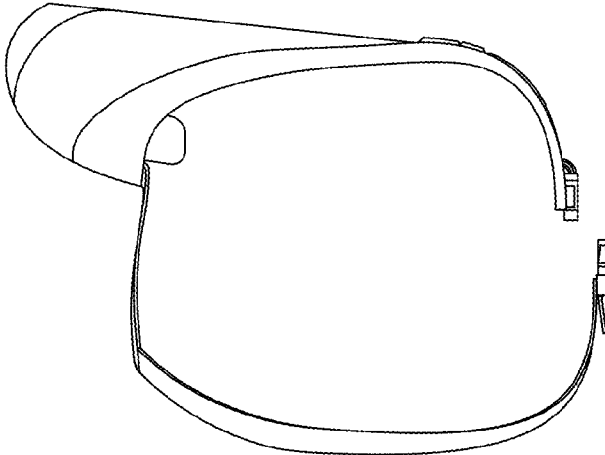


FIG. 14

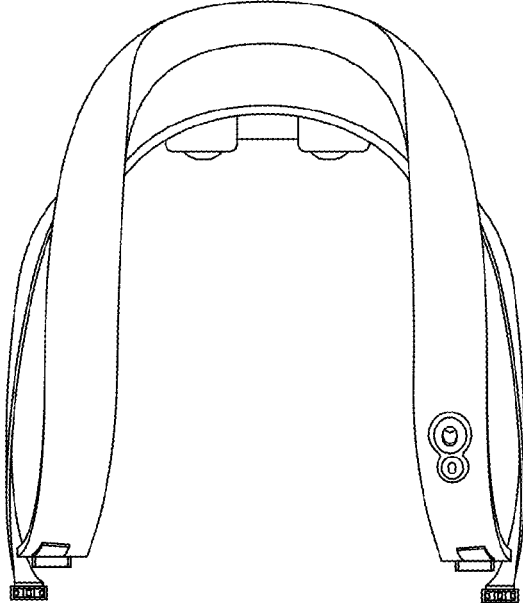


FIG. 13