



US00D748472S

(12) **United States Design Patent**
Seybel et al.

(10) **Patent No.:** **US D748,472 S**

(45) **Date of Patent:** **** Feb. 2, 2016**

(54) **VENT**

FOREIGN PATENT DOCUMENTS

(71) Applicant: **W. L. Gore & Associates, GmbH**,
Putzbrunn (DE)

(72) Inventors: **Mike Seybel**, München (DE); **Joonas Riihimäki**, München (DE); **Rainer Enggruber**, Gruenwald (DE)

(73) Assignee: **W.L. GORE & ASSOCIATES GMBH**,
Putzbrunn (DE)

DE	10 2007 050 921 A1	5/2009
EP	0 377 067 A1	1/1989
EP	1 939 523 A1	7/2008
EP	1 964 658 A1	9/2008
EP	1 955 901 B1	5/2009
EP	1 270 207 B1	3/2010
EP	2 236 918 A2	10/2010
EP	1 363 069 B1	2/2011
EP	2 292 473 A1	3/2011
EP	2 441 625 A1	4/2012
WO	WO 2011/114640 A1	3/2011

(**) Term: **14 Years**

* cited by examiner

(21) Appl. No.: **29/472,067**

Primary Examiner — Robert M Spear

(22) Filed: **Nov. 8, 2013**

Assistant Examiner — Marissa J Cash

(51) **LOC (10) Cl.** **09-07**

(74) *Attorney, Agent, or Firm* — Kilpatrick Townsend & Stockton LLP

(52) **U.S. Cl.**

USPC **D9/434**

(58) **Field of Classification Search**

USPC D7/396.2, 507, 509, 510, 511;
D9/434–455, 524, 682, 685, 694;
215/200, 235, 236, 252, 254, 329,
215/355–364; 220/203.04–203.07, 220,
220/254.1, 254.4, 556, 703, 704, 705;
D6/542–545

See application file for complete search history.

(57) **CLAIM**

What is claimed is a design of a vent, as shown and described.

DESCRIPTION

FIG. 1 is a three-quarter top isometric view of a vent of the design of the present invention;
FIG. 2 is a front side view of the vent design of FIG. 1;
FIG. 3 is back side view of the vent design of FIG. 1;
FIG. 4 is a right side view of the vent design of FIG. 1;
FIG. 5 is a left side view of the vent design of FIG. 1;
FIG. 6 is a bottom view of the vent design of FIG. 1;
FIG. 7 is a top plan view of the vent design of FIG. 1; and,
FIG. 8 is a three-quarter bottom isometric view of the vent design of FIG. 1.
Broken lines in the Figures form no part of the claimed design.

(56) **References Cited**

U.S. PATENT DOCUMENTS

D583,670 S *	12/2008	Lamb et al.	D9/454
8,528,757 B2 *	9/2013	Bisio	215/252
D713,247 S *	9/2014	Webster et al.	D9/454
2010/0068431 A1	3/2010	Bansal et al.		
2010/0227543 A1	9/2010	Furuyama		
2011/0275305 A1	11/2011	Egersdoerfer et al.		

1 Claim, 8 Drawing Sheets

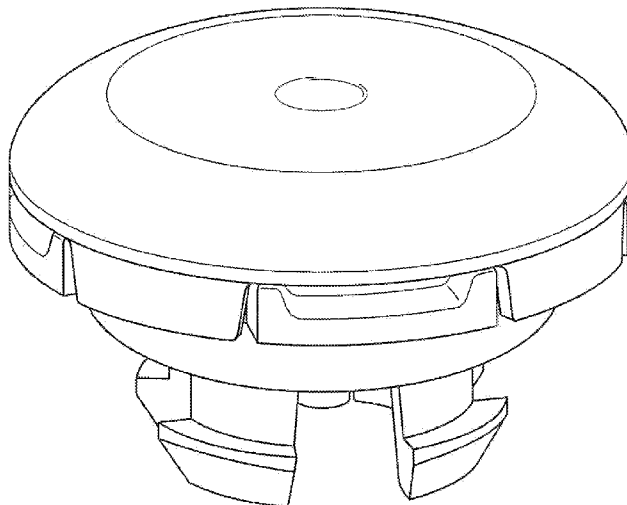


Fig 1

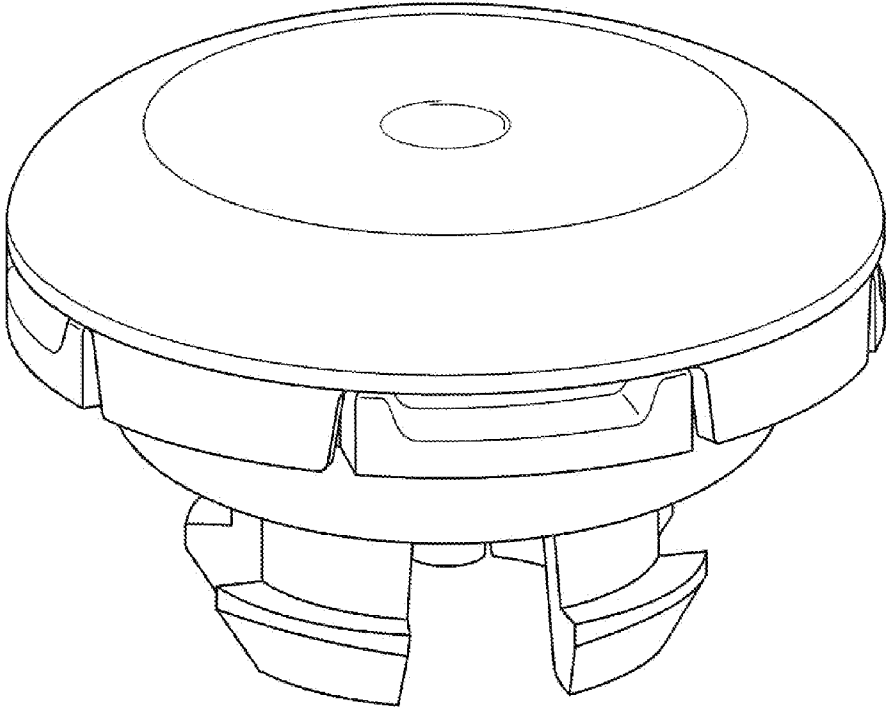


Fig 2

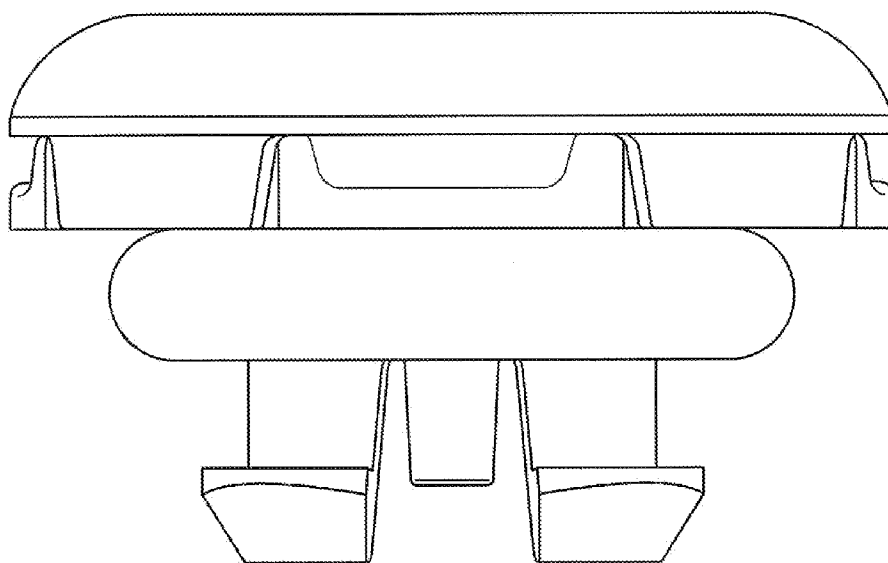


Fig 3

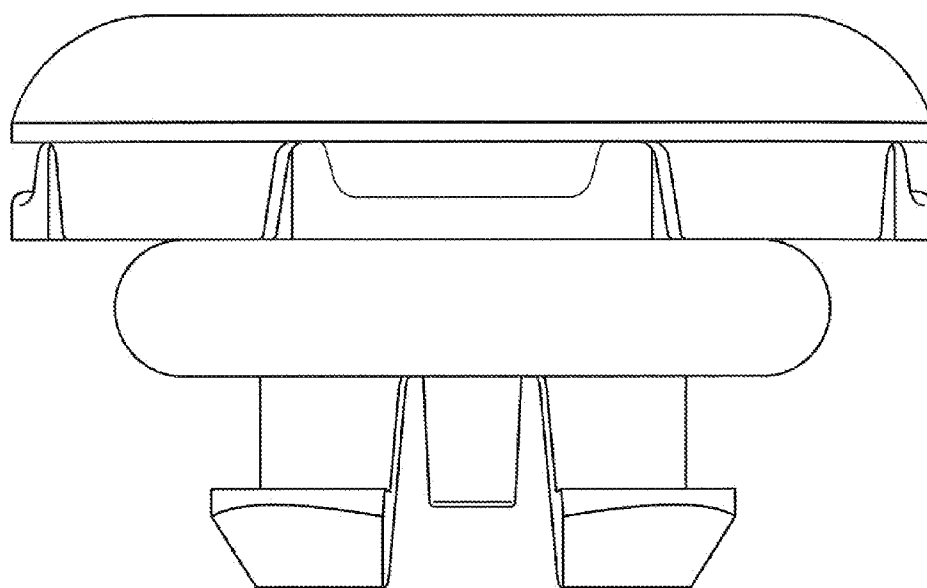


Fig 4

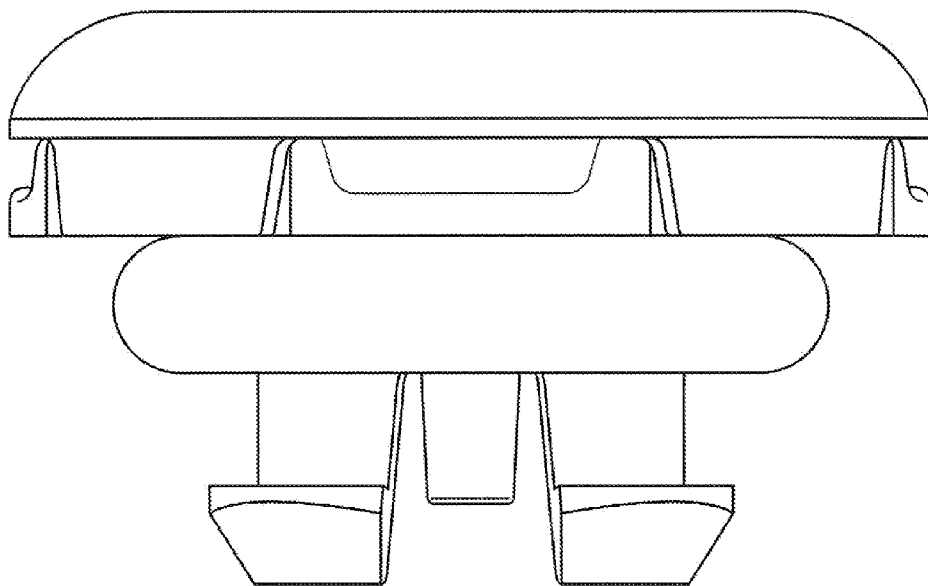


Fig 5

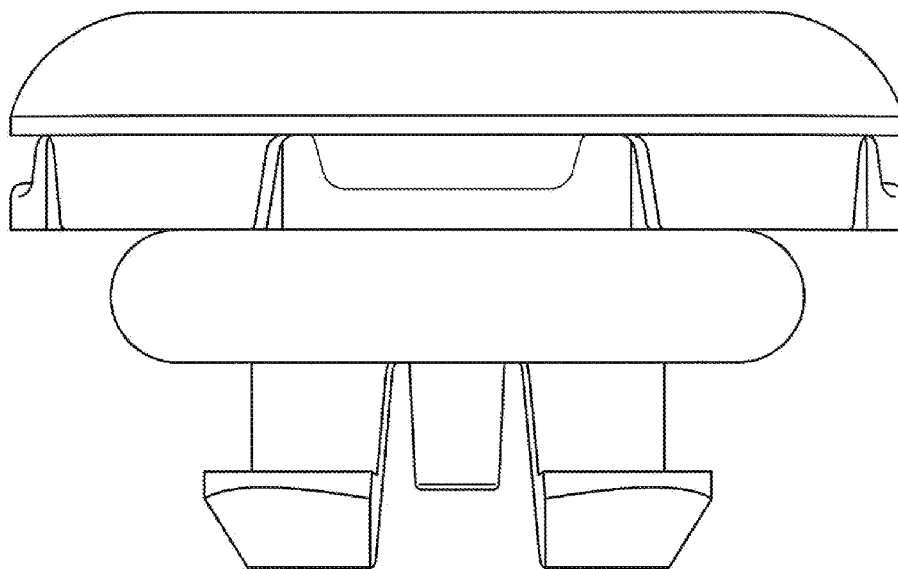


Fig 6

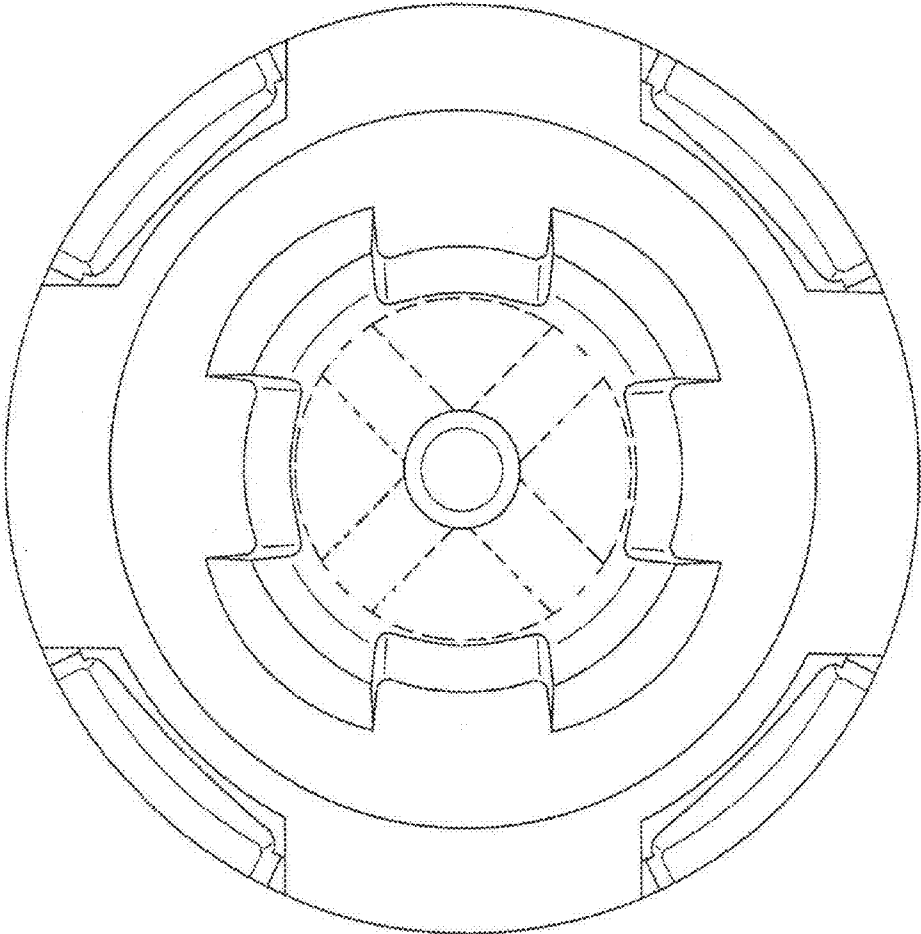


Fig 7

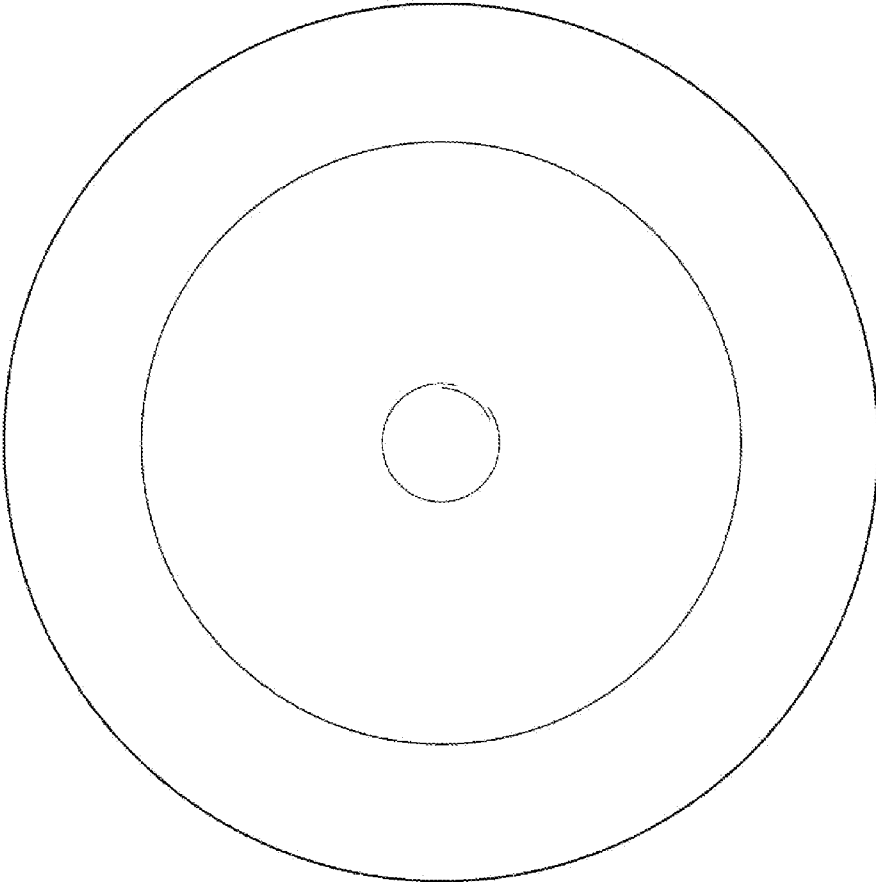


Fig 8

