



US00D794086S

(12) **United States Design Patent**
Thompson et al.

(10) **Patent No.:** **US D794,086 S**

(45) **Date of Patent:** **** Aug. 8, 2017**

(54) **SELF-PROPELLED AGRICULTURAL MACHINE**

D231,557 S * 4/1974 Hennen et al. D15/23
D245,420 S 8/1977 Maucher
D253,057 S * 10/1979 Fachini D15/26
4,223,846 A * 9/1980 Priepke A01F 29/10
241/101.742

(71) Applicant: **Forage Innovations B.V.**, Maassluis (NL)

(Continued)

(72) Inventors: **Kent L. Thompson**, Otley, IA (US);
Kent M. Recker, Pella, IA (US)

FOREIGN PATENT DOCUMENTS

(73) Assignee: **FORAGE INNOVATIONS B.V.**,
Maassluis (NL)

FR 2551014 A 3/1985
FR 2631586 B1 8/1990

(Continued)

(**) Term: **15 Years**

OTHER PUBLICATIONS

(21) Appl. No.: **29/565,351**

“IS® 2600Z Series Zero Turn Mower”, Ferris, retrieved from https://www.ferrismowers.com/na/en_us/product-catalog/zero-turn-mowers/is-2600z-series-zero-turn-mower.html, available before May 19, 2016.

(22) Filed: **May 19, 2016**

(51) **LOC (10) Cl.** **15-03**

(52) **U.S. Cl.** **D15/26**
USPC **D15/26**

(Continued)

(58) **Field of Classification Search**
USPC D15/10, 11, 13–17, 28, 22–26, 31, 30;
D12/173; 180/69.21, 89.1, 89.12, 900,
180/69.2, 68.1, 69.1; 56/13.3, 13.4, 15.8,
56/15.9, 320.1
CPC B62D 25/10; B62D 25/00; B62D
49/00–49/085; B60R 19/52; B60R 21/38;
B60K 13/02; B60K 11/08; B60K 11/04;
F01P 11/10; F01P 5/06; F01P 2001/005;
B60Y 2200/221

Primary Examiner — Mark Goodwin
(74) *Attorney, Agent, or Firm* — Armstrong Teasdale LLP

See application file for complete search history.

(57) **CLAIM**

We claim the ornamental design for a self-propelled agricultural machine, as shown and described.

(56) **References Cited**

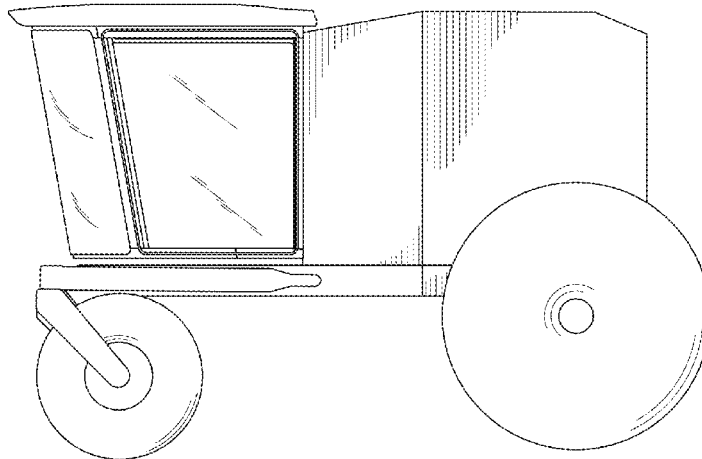
U.S. PATENT DOCUMENTS

3,168,331 A 2/1965 Johnson
3,384,232 A * 5/1968 Turnbull A01D 41/12
209/11
3,558,148 A 1/1971 Johnson
D221,572 S * 8/1971 Ashton et al. D15/26
D221,573 S * 8/1971 Ashton et al. D15/26
3,645,074 A * 2/1972 Rettig A01B 51/026
414/498
D223,466 S * 4/1972 Fell et al. D15/26

DESCRIPTION

FIG. 1 is a right side view of a self-propelled agricultural machine showing our new design.
FIG. 2 is a left side view thereof.
FIG. 3 is a front view thereof.
FIG. 4 is a rear view thereof; and,
FIG. 5 is a top view thereof.
The ornamental design which is claimed is shown in solid lines in the drawings. Broken lines, if present in the drawings, are for illustrative purposes only and form no part of the claimed design.

1 Claim, 5 Drawing Sheets



(56)

References Cited

U.S. PATENT DOCUMENTS

4,324,091 A * 4/1982 Wistuba A01D 43/073
406/41
4,332,262 A * 6/1982 De Busscher A01F 12/442
460/75
4,428,182 A * 1/1984 Allen A01D 67/00
280/492
4,467,818 A 8/1984 Donaldson et al.
4,830,288 A * 5/1989 Streicher A01F 29/12
241/101.742
D309,738 S 8/1990 Schober et al.
5,309,700 A * 5/1994 Winkels A01D 41/141
56/10.2 E
D373,591 S 9/1996 Von Allworden et al.
5,904,365 A * 5/1999 Dillon B62D 59/02
180/14.1
D436,363 S * 1/2001 Strong D15/10
6,282,875 B1 * 9/2001 Holtkotte A01B 73/00
56/228
D460,461 S * 7/2002 Strong D15/10
D478,915 S 8/2003 Harris et al.
6,729,951 B2 5/2004 Hoskinson et al.
6,857,254 B2 2/2005 Melone et al.
D544,886 S * 6/2007 Pedracini D15/26
D566,138 S * 4/2008 Forkert D15/27
D568,342 S 5/2008 Kleingraeber
D599,830 S 9/2009 Jacobssthal et al.
7,682,413 B2 3/2010 Sheidler
D639,826 S 6/2011 Barreilmeyer
8,087,216 B2 1/2012 Noonan et al.
D661,321 S 6/2012 Bohme et al.
8,250,843 B2 8/2012 Campbell et al.
8,260,499 B2 9/2012 Boydell
8,313,362 B2 11/2012 Roberge et al.
8,650,862 B2 2/2014 Renneke et al.
8,677,724 B2 3/2014 Chaney et al.
D717,345 S * 11/2014 Budde D15/26
8,919,088 B2 12/2014 Dow et al.
D723,071 S * 2/2015 Jacobssthal D15/33
8,961,283 B2 2/2015 Claussen
8,992,294 B2 3/2015 Dilts et al.
D743,450 S * 11/2015 Claeys D15/33

D765,738 S * 9/2016 Treinen D15/28
D766,993 S * 9/2016 Jacobssthal D15/30
2015/0191201 A1 7/2015 Schaedler et al.

FOREIGN PATENT DOCUMENTS

JP 2013118835 A 6/2013
KR 20080113535 A 12/2008
KR 101404604 B1 6/2014

OTHER PUBLICATIONS

“IS® 2100Z Zero Turn Mowers”, Ferris, retrieved from https://www.ferrismowers.com/na/en_us/product-catalog/zero-turn-mowers/is-2100z-zero-turn-mowers.html, available before May 19, 2016.
“IS® 3200Z Zero Turn Mowers”, Ferris, retrieved from https://www.ferrismowers.com/na/en_us/product-catalog/zero-turn-mowers/is-3200z-zero-turn-mowers.html, available before May 19, 2016.
“IS® 5100Z Zero Turn Mowers”, Ferris, retrieved from https://www.ferrismowers.com/na/en_us/product-catalog/zero-turn-mowers/is-5100z-zero-turn-mowers.html, available before May 19, 2016.
“Automoteur DMV 1300”, Duissard, retrieved from <http://duissard.fr/produits.php>, available before May 19, 2016.
“Hagie 647”, retrieved from <http://www.equipmentlocator.com/asp/eDetails/Hagie/647/Sprayer-Self+Propelled/For+Sale/eqID/500486/eID/111/loc/eu-en/close/yes#>, available before May 19, 2016.
“Z Series”, Kubota, retrieved from <http://www.kubota.com/product/ZSeries.aspx>, available before May 19, 2016.
“He self-propelled his two hay balers”, Farm Show Magazine, vol. 13, Issue 3, p. 1, 1989.
“Self-Propelled Baler”, Farm Show Magazine, vol. 16, Issue 1, p. 5, 1992.
“Self-Propelled Baler”, Farm Show Magazine, vol. 9, Issue 2, p. 1, 1985.
Lane, Mick, “One-Pass Self Propelled Baler”, Farm Show Magazine, vol. 26, Issue 1, p. 44, 2002.

* cited by examiner

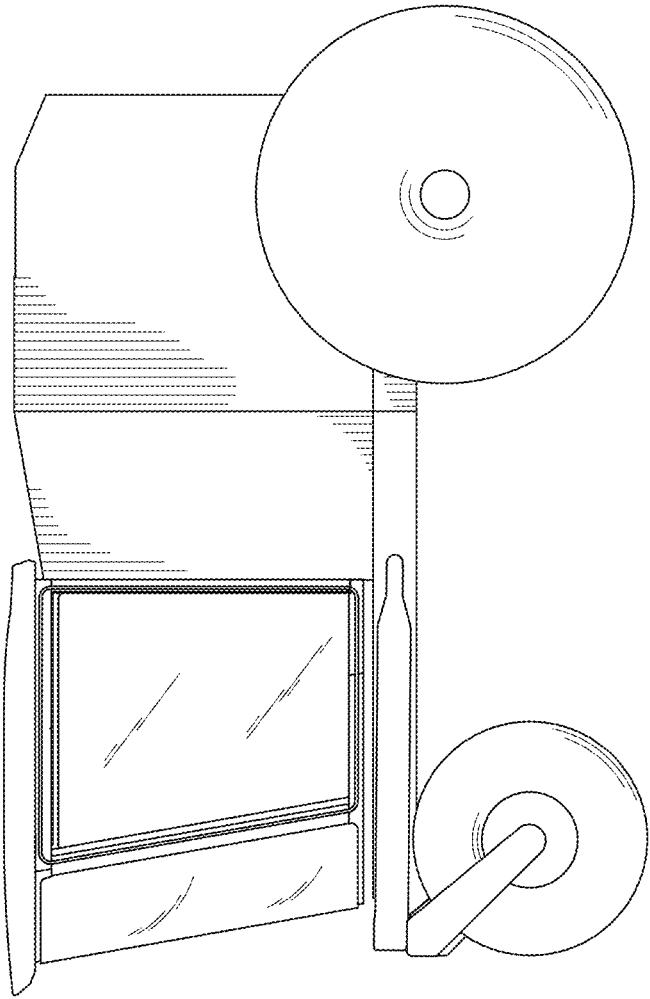


FIG. 1

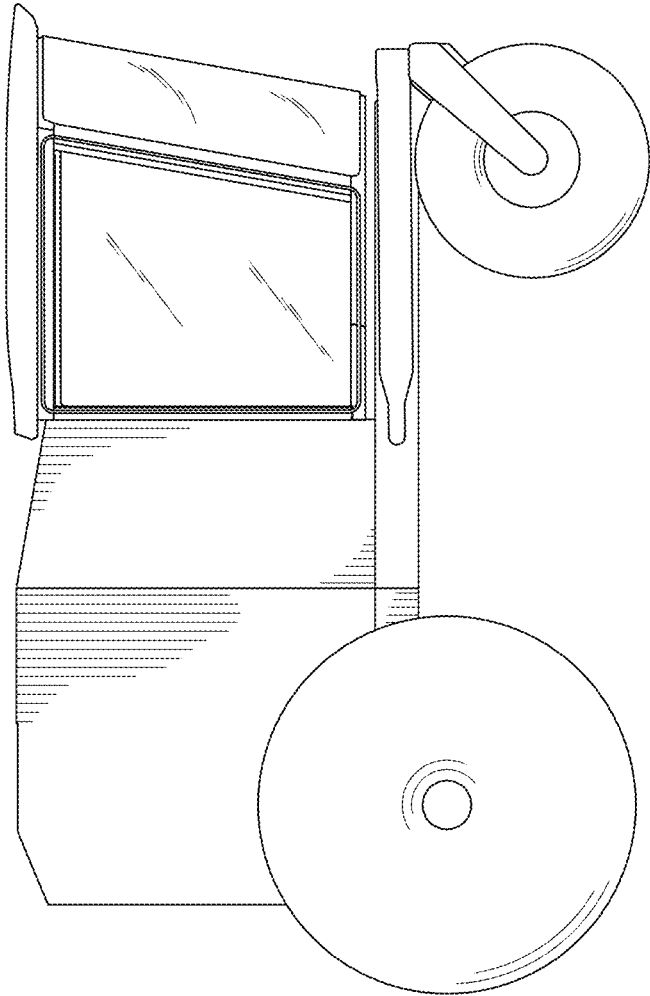


FIG. 2

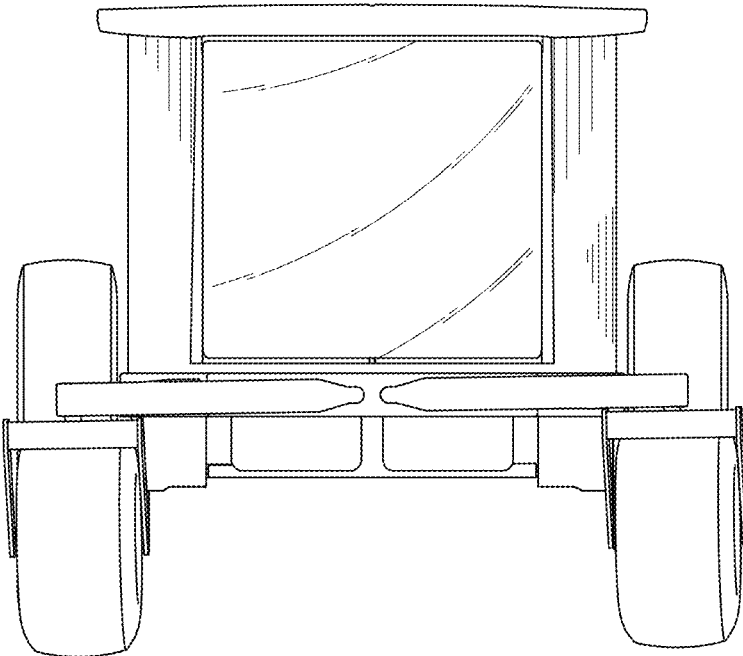


FIG. 3

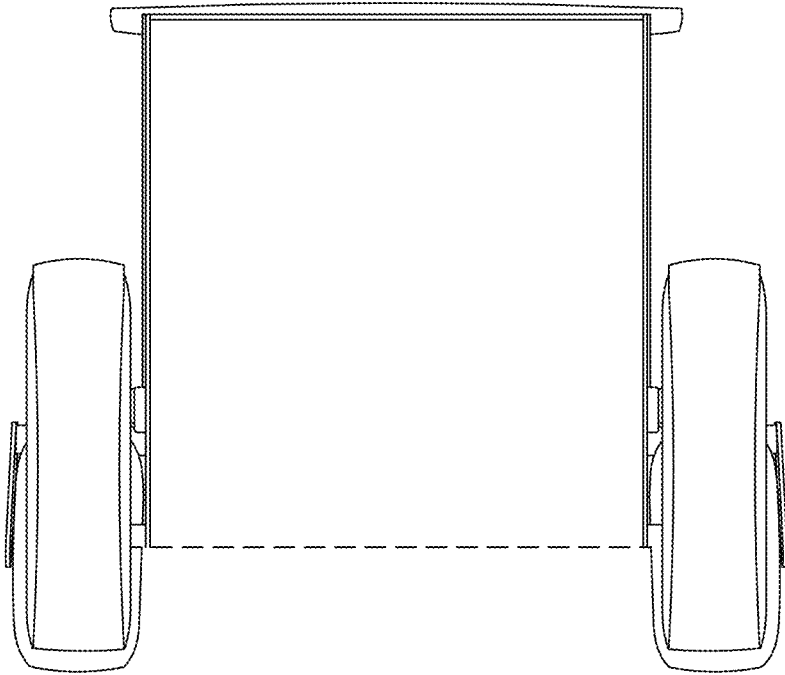


FIG. 4

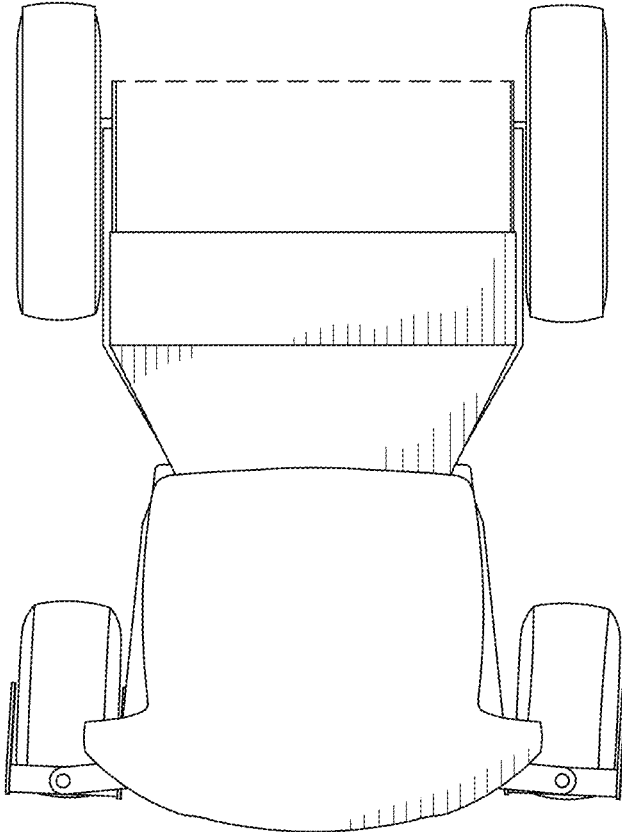


FIG. 5