

(19) World Intellectual Property Organization
International Bureau



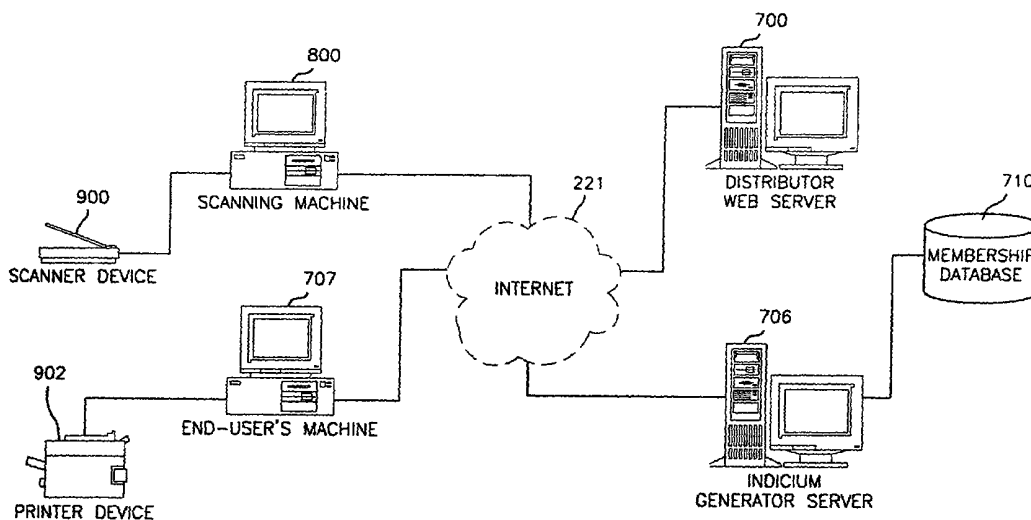
(43) International Publication Date
23 August 2001 (23.08.2001)

PCT

(10) International Publication Number
WO 01/61652 A3

- (51) International Patent Classification⁷: G07B 17/00
- (21) International Application Number: PCT/US01/40140
- (22) International Filing Date: 16 February 2001 (16.02.2001)
- (25) Filing Language: English
- (26) Publication Language: English
- (30) Priority Data:
60/182,935 16 February 2000 (16.02.2000) US
60/183,927 22 February 2000 (22.02.2000) US
- (71) Applicant (for all designated States except US): STAMPS.COM [US/US]; Suite 1040, 3420 Ocean Park Boulevard, Santa Monica, CA 90405 (US).
- (72) Inventor; and
- (75) Inventor/Applicant (for US only): GOODWIN, Jonathan, David [US/US]; 30826 Calle Barbosa, Laguna Niguel, CA 92577 (US).
- (74) Agent: CIRE, Frank, L.; Christie, Parker & Hale, LLP, P.O. Box 7068, Pasadena, CA 91109-7068 (US).
- (81) Designated States (national): AE, AG, AL, AM, AT, AU, AZ, BA, BB, BG, BR, BY, BZ, CA, CH, CN, CR, CU, CZ, DE, DK, DM, DZ, EE, ES, FI, GB, GD, GE, GH, GM, HR, HU, ID, IL, IN, IS, JP, KE, KG, KP, KR, KZ, LC, LK, LR, LS, LT, LU, LV, MA, MD, MG, MK, MN, MW, MX, MZ, NO, NZ, PL, PT, RO, RU, SD, SE, SG, SI, SK, SL, TJ, TM, TR, TT, TZ, UA, UG, US, UZ, VN, YU, ZA, ZW.
- (84) Designated States (regional): ARIPO patent (GH, GM, KE, LS, MW, MZ, SD, SL, SZ, TZ, UG, ZW), Eurasian patent (AM, AZ, BY, KG, KZ, MD, RU, TJ, TM), European patent (AT, BE, CH, CY, DE, DK, ES, FI, FR, GB, GR, IE, IT, LU, MC, NL, PT, SE, TR), OAPI patent (BF, BJ, CF, CG, CI, CM, GA, GN, GW, ML, MR, NE, SN, TD, TG).
- Published:
— with international search report
- (88) Date of publication of the international search report:
21 March 2002
- For two-letter codes and other abbreviations, refer to the "Guidance Notes on Codes and Abbreviations" appearing at the beginning of each regular issue of the PCT Gazette.

(54) Title: SECURE ON-LINE TICKETING



(57) Abstract: A method and apparatus for generating a Value Bearing Indiciu (VBI) for on-line ticketing applications. A VBI may be generated by hashing user information to create a message digest that is used to create a digital signature. The digital signature is combined with the user information to create a VBI that can be validated by a variety of stand-alone or on-line methods. An on-line ticketing application using the VBI is described.

WO 01/61652 A3

INTERNATIONAL SEARCH REPORT

International Application No

PCT/US 01/40140

A. CLASSIFICATION OF SUBJECT MATTER
IPC 7 G07B17/00

According to International Patent Classification (IPC) or to both national classification and IPC

B. FIELDS SEARCHED

Minimum documentation searched (classification system followed by classification symbols)
IPC 7 G07B

Documentation searched other than minimum documentation to the extent that such documents are included in the fields searched

Electronic data base consulted during the international search (name of data base and, where practical, search terms used)
EPO-Internal

C. DOCUMENTS CONSIDERED TO BE RELEVANT

Category *	Citation of document, with indication, where appropriate, of the relevant passages	Relevant to claim No.
X	US 5 781 634 A (PAULY STEVEN J ET AL) 14 July 1998 (1998-07-14) column 13, line 50 - line 62; claim 1; figure 1	1-11, 13-15, 19-29, 33-35, 39-42
A	EP 0 647 925 A (PITNEY BOWES) 12 April 1995 (1995-04-12) claim 8; figure 6 ----- -/--	1-46

Further documents are listed in the continuation of box C.

Patent family members are listed in annex.

* Special categories of cited documents:

- *A* document defining the general state of the art which is not considered to be of particular relevance
- *E* earlier document but published on or after the international filing date
- *L* document which may throw doubts on priority claim(s) or which is cited to establish the publication date of another citation or other special reason (as specified)
- *O* document referring to an oral disclosure, use, exhibition or other means
- *P* document published prior to the international filing date but later than the priority date claimed

- *T* later document published after the international filing date or priority date and not in conflict with the application but cited to understand the principle or theory underlying the invention
- *X* document of particular relevance; the claimed invention cannot be considered novel or cannot be considered to involve an inventive step when the document is taken alone
- *Y* document of particular relevance; the claimed invention cannot be considered to involve an inventive step when the document is combined with one or more other such documents, such combination being obvious to a person skilled in the art.
- * & * document member of the same patent family

Date of the actual completion of the international search

19 October 2001

Date of mailing of the international search report

31/10/2001

Name and mailing address of the ISA
European Patent Office, P.B. 5818 Patentlaan 2
NL - 2280 HV Rijswijk
Tel. (+31-70) 340-2040, Tx. 31 651 epo nl,
Fax: (+31-70) 340-3016

Authorized officer

Kirsten, K

INTERNATIONAL SEARCH REPORT

International Application No

PCT/US 01/40140

C.(Continuation) DOCUMENTS CONSIDERED TO BE RELEVANT		
Category *	Citation of document, with indication, where appropriate, of the relevant passages	Relevant to claim No.
A	<p>"Information Based Indicia Program (IBIP) Indicium Specification" INFORMATION BASED INDICIA PROGRAM (IBIP) INDICIUM SPECIFICATION, 13 June 1996 (1996-06-13), page COMPLETE23 XP002137735 page 5-1, paragraph 5.1.1, figure 4.2-1 -----</p>	1-46

INTERNATIONAL SEARCH REPORT

Information on patent family members

International Application No

PCT/US 01/40140

Patent document cited in search report		Publication date	Patent family member(s)	Publication date
US 5781634	A	14-07-1998	US 5682429 A	28-10-1997
			US 5454038 A	26-09-1995
			US 5953427 A	14-09-1999
			CA 2137403 A1	07-06-1995
			EP 0663652 A2	19-07-1995
			EP 0829824 A2	18-03-1998
EP 0647925	A	12-04-1995	US 5448641 A	05-09-1995
			CA 2133672 A1	09-04-1995
			EP 0647925 A2	12-04-1995