



US0D1045709S

(12) **United States Design Patent**  
**Gound**

(10) **Patent No.:** **US D1,045,709 S**

(45) **Date of Patent:** **\*\* Oct. 8, 2024**

(54) **VEHICLE FRONT FASCIA**  
(71) Applicant: **GM GLOBAL TECHNOLOGY OPERATIONS LLC**, Detroit, MI (US)

(72) Inventor: **Ramesh R. Gound**, Rochester Hills, MI (US)

(73) Assignee: **GM GLOBAL TECHNOLOGY OPERATIONS LLC**, Detroit, MI (US)

(\*\*) Term: **15 Years**

(21) Appl. No.: **29/843,278**

(22) Filed: **Jun. 20, 2022**

(51) **LOC (14) Cl.** ..... **12-16**

(52) **U.S. Cl.**  
USPC ..... **D12/169**

(58) **Field of Classification Search**  
USPC ..... D12/1, 14, 22, 82, 85-93, 96-99,  
D12/163-167, 169-173, 181, 184-185,  
D12/190, 196, 400; D21/533, 548, 552,  
D21/561

CPC ..... B60R 19/54; B60R 19/02; B60R 19/18;  
B60R 19/24; B60R 19/56; B60R 19/04;  
B60R 2019/1886; B62D 25/08; B60D  
35/005; B60T 5/00

See application file for complete search history.

(56) **References Cited**

**U.S. PATENT DOCUMENTS**

D647,010 S	10/2011	Karras et al.
D668,189 S	10/2012	Gifford
D679,226 S	4/2013	Schmeckpeper
D684,099 S	6/2013	McCabe et al.
D704,607 S	5/2014	Thurber
D705,707 S	5/2014	Kavaja
D711,295 S	8/2014	Mackay
D711,296 S	8/2014	O'Donnell et al.

D716,200 S	10/2014	Pevovar et al.
D717,703 S	11/2014	Munson et al.
D718,679 S	12/2014	Thole et al.
D720,668 S	1/2015	Pevovar et al.
D731,369 S	6/2015	Duff et al.
D744,914 S	12/2015	Loeb
D745,837 S	12/2015	Smith et al.
D749,021 S	2/2016	Boniface et al.
D753,034 S	4/2016	Thole et al.
D753,559 S	4/2016	McMahan et al.
D753,560 S	4/2016	McMahan et al.
D771,532 S	11/2016	Kapitonov
D771,533 S *	11/2016	Kapitonov ..... D12/169
D772,766 S	11/2016	Kozub et al.
D772,767 S	11/2016	Kim
D775,007 S	12/2016	Thole et al.
D775,010 S	12/2016	Kim et al.
D776,583 S	1/2017	Scheer et al.
D786,149 S	5/2017	Pevovar et al.
D787,990 S	5/2017	Kozub et al.

(Continued)

*Primary Examiner* — George D. Kirschbaum

*Assistant Examiner* — John P. McCartney

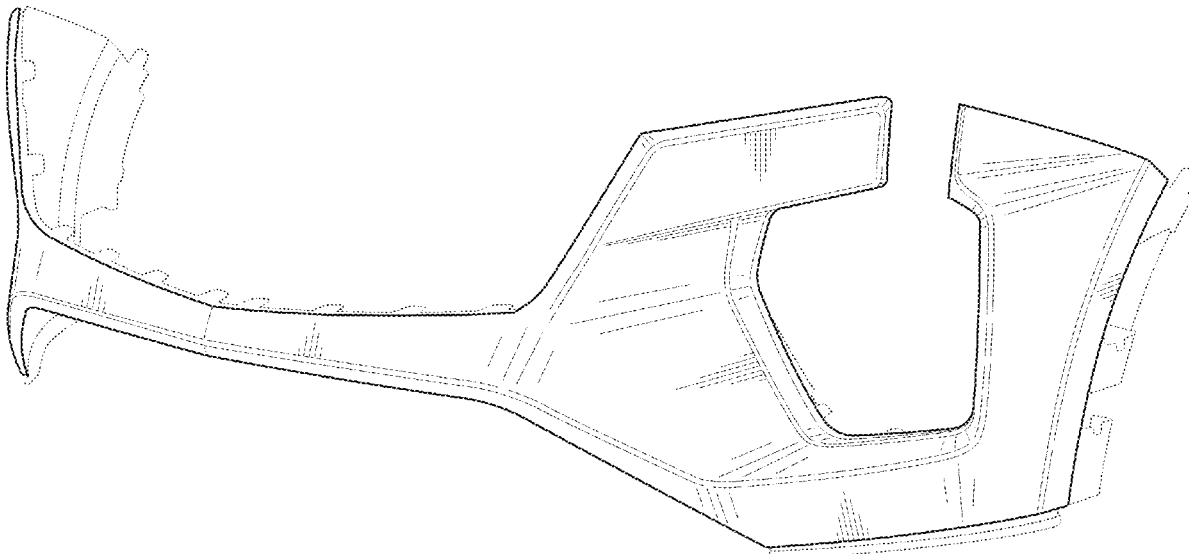
(57) **CLAIM**

The ornamental design for a vehicle front fascia, as shown and described.

**DESCRIPTION**

FIG. 1 is a front and left side perspective view of a vehicle front fascia showing my new design;  
FIG. 2 is a front elevation view of the vehicle front fascia of FIG. 1;  
FIG. 3 is a left side elevation view thereof;  
FIG. 4 is a right side elevation view thereof;  
FIG. 5 is a back elevation view thereof;  
FIG. 6 is a top plan view thereof; and,  
FIG. 7 is a bottom plan view thereof.  
The broken lines in the drawings depict portions of the vehicle front fascia that form no part of the claimed design.

**1 Claim, 7 Drawing Sheets**



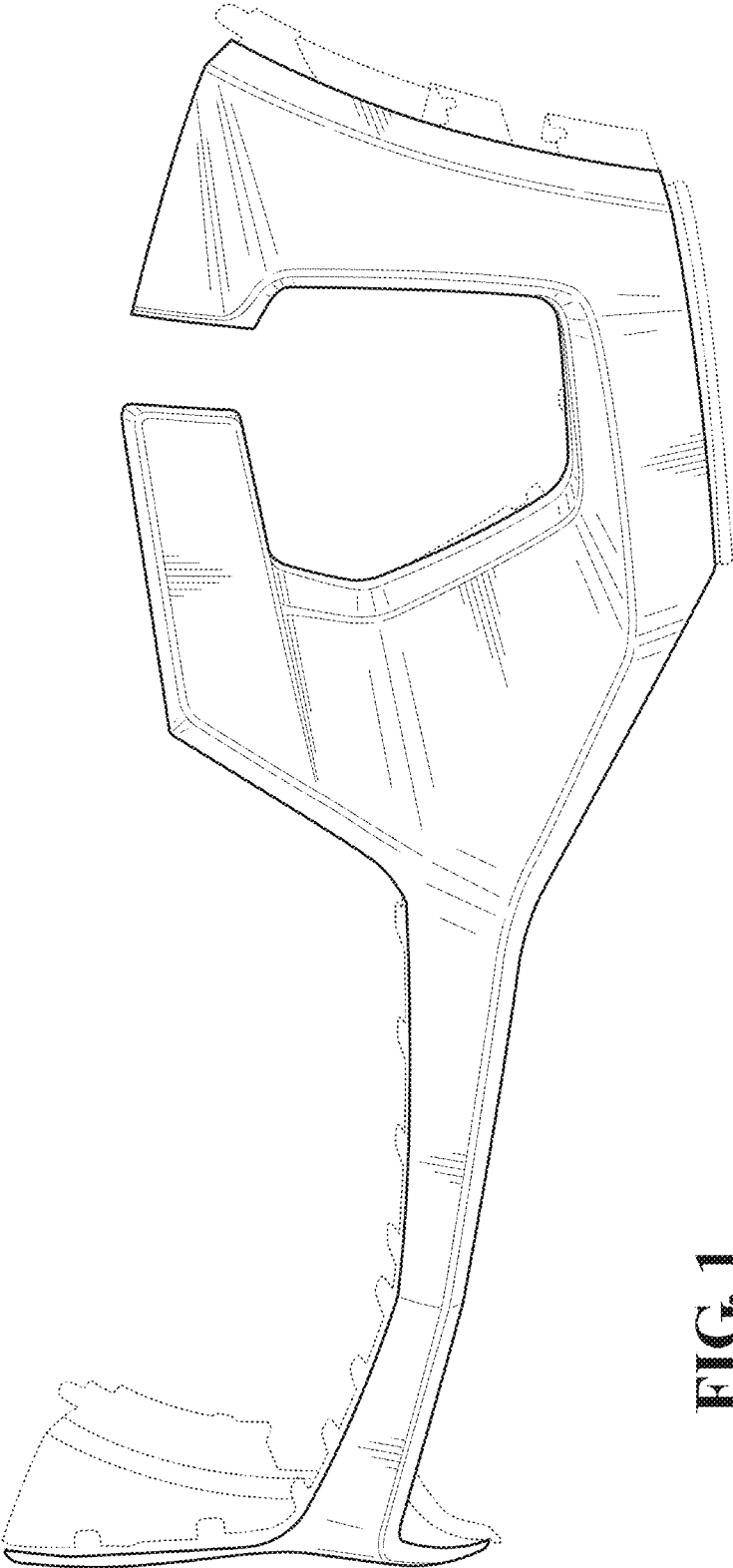
(56)

References Cited

U.S. PATENT DOCUMENTS

D792,293 S	7/2017	McCabe et al.	D860,078 S	9/2019	O'Donnell et al.
D792,295 S	7/2017	McCabe et al.	D862,337 S	10/2019	Pinazzo et al.
D792,815 S	7/2017	Kozub	D863,140 S	10/2019	Wilkins et al.
D792,816 S	7/2017	Kozub	D863,147 S	10/2019	Zipfel
D793,292 S	8/2017	Lee	D863,149 S	10/2019	Luke et al.
D793,293 S	8/2017	Lee et al.	D863,150 S	10/2019	Krieg et al.
D793,296 S	8/2017	Smith et al.	D863,152 S	10/2019	Kozub
D793,297 S	8/2017	Smith et al.	D864,057 S	10/2019	Krieg et al.
D793,301 S	8/2017	Kozub	D867,232 S	11/2019	Izard
D793,302 S	8/2017	Kozub	D868,639 S	12/2019	Wilkins et al.
D798,204 S	9/2017	Mainville	D868,650 S	12/2019	Gifford
D802,496 S	11/2017	Mainville	D868,651 S	12/2019	Gifford
D811,957 S	3/2018	Whitla et al.	D868,656 S	12/2019	De Leon
D811,960 S	3/2018	Nakamura	D870,619 S	12/2019	Gifford
D811,964 S	3/2018	Perkins	D873,733 S	1/2020	Kozub
D812,526 S	3/2018	Zipfel et al.	D874,362 S	2/2020	Izard
D812,527 S	3/2018	Perkins	D877,001 S	3/2020	Izard
D812,528 S	3/2018	Nakamura	D877,002 S	3/2020	Izard
D813,109 S	3/2018	Zipfel et al.	D877,003 S	3/2020	Izard
D813,734 S	3/2018	Nakamura	D877,004 S	3/2020	Wilkins et al.
D814,369 S	4/2018	Loeb	D877,007 S	3/2020	Zipfel
D816,558 S	5/2018	McMahan et al.	D877,009 S	3/2020	Luke et al.
D816,559 S	5/2018	McMahan et al.	D881,083 S	4/2020	Blanski et al.
D816,561 S	5/2018	McMahan	D882,466 S	4/2020	Yong et al.
D816,562 S	5/2018	Whitla et al.	D885,265 S	5/2020	Zipfel
D816,564 S	5/2018	Kim	D887,323 S	6/2020	Zipfel
D816,566 S	5/2018	Loeb	D889,331 S	7/2020	O'Donnell et al.
D818,406 S	5/2018	McMahan et al.	D892,003 S	8/2020	Zipfel
D820,173 S	6/2018	McMahan	D894,060 S	8/2020	Izard
D820,174 S	6/2018	Whitla et al.	D894,061 S	8/2020	Zipfel
D821,916 S	7/2018	Zipfel	D902,802 S	11/2020	Choi et al.
D821,941 S	7/2018	Mack et al.	D902,803 S	11/2020	Choi et al.
D821,950 S	7/2018	Kozub	D902,817 S	11/2020	Choi et al.
D822,550 S	7/2018	Wassell et al.	D902,818 S	11/2020	Choi et al.
D826,114 S	8/2018	Smith et al.	D903,567 S	12/2020	Choi et al.
D826,803 S	8/2018	Smith et al.	D918,793 S	5/2021	Choi et al.
D826,818 S	8/2018	Zipfel	D918,797 S	5/2021	Ruiz
D837,109 S	1/2019	Kozub et al.	D919,500 S	5/2021	Gay
D840,293 S	2/2019	Koo et al.	D919,503 S	5/2021	Ponomarenko
D841,532 S	2/2019	Koo et al.	D919,504 S	5/2021	Schmeckpeper
D843,275 S	3/2019	Koo et al.	D919,505 S	5/2021	Schmeckpeper
D845,187 S	4/2019	Pinazzo et al.	D919,511 S	5/2021	Ruiz
D845,190 S	4/2019	Zipfel	D919,512 S	5/2021	Zhao et al.
D845,196 S	4/2019	Kozub	D920,189 S	5/2021	Choi et al.
D847,042 S	4/2019	Pinazzo et al.	D920,191 S	5/2021	Lee
D847,044 S	4/2019	Zipfel	D920,203 S	5/2021	Choi et al.
D847,704 S	5/2019	Zipfel	D920,859 S	6/2021	Buller et al.
D847,705 S	5/2019	Zipfel	D922,920 S	6/2021	Theis et al.
D847,707 S	5/2019	Park Cheng et al.	D924,743 S	7/2021	Kumar
D847,714 S	5/2019	Mack et al.	D924,744 S	7/2021	Kumar
D848,318 S	5/2019	McMahan et al.	D924,747 S	7/2021	Hunwick
D848,322 S	5/2019	Mack et al.	D924,748 S	7/2021	Ponomarenko
D848,323 S	5/2019	Mack et al.	D924,749 S	7/2021	Lee
D848,324 S	5/2019	Thurber et al.	D924,750 S	* 7/2021	Buller ..... D12/169
D848,325 S	5/2019	Thurber et al.	D924,752 S	7/2021	Park et al.
D850,989 S	6/2019	Kozub	D925,412 S	7/2021	Ponomarenko
D851,555 S	6/2019	Whitla et al.	D930,523 S	9/2021	Lee
D851,556 S	6/2019	Thurber et al.	D930,524 S	9/2021	Lee
D851,557 S	6/2019	Thurber et al.	D930,525 S	9/2021	Lee
D851,560 S	6/2019	Yong et al.	D930,527 S	9/2021	Buller et al.
D851,561 S	6/2019	Yong et al.	D930,528 S	9/2021	Buller et al.
D853,904 S	7/2019	Koo et al.	D930,529 S	9/2021	Park et al.
D854,979 S	7/2019	Krieg et al.	D931,156 S	9/2021	Lee
D855,508 S	8/2019	Wilkins et al.	D931,157 S	9/2021	Theis et al.
D855,509 S	8/2019	Wilkins	D944,143 S	2/2022	Hunwick
D856,204 S	8/2019	Kapitonov	D944,145 S	2/2022	Jie et al.
D856,206 S	8/2019	De Leon	D969,687 S	* 11/2022	Ruiz ..... D12/169
D856,864 S	8/2019	Kapitonov	D994,557 S	* 8/2023	Kim ..... D12/169
D856,874 S	8/2019	Kozub	D997,054 S	* 8/2023	Choi ..... D12/169
D856,875 S	8/2019	Kozub	D998,521 S	* 9/2023	Choi ..... D12/169
D860,075 S	9/2019	Riggs et al.	D1,003,205 S	* 10/2023	Langhals ..... D12/169
D860,076 S	9/2019	Bartels et al.	D1,010,521 S	* 1/2024	Choi ..... D12/169
			D1,020,567 S	* 4/2024	Seo ..... D12/169
			D1,025,850 S	* 5/2024	Jiao ..... D12/169

\* cited by examiner



**FIG. 1**

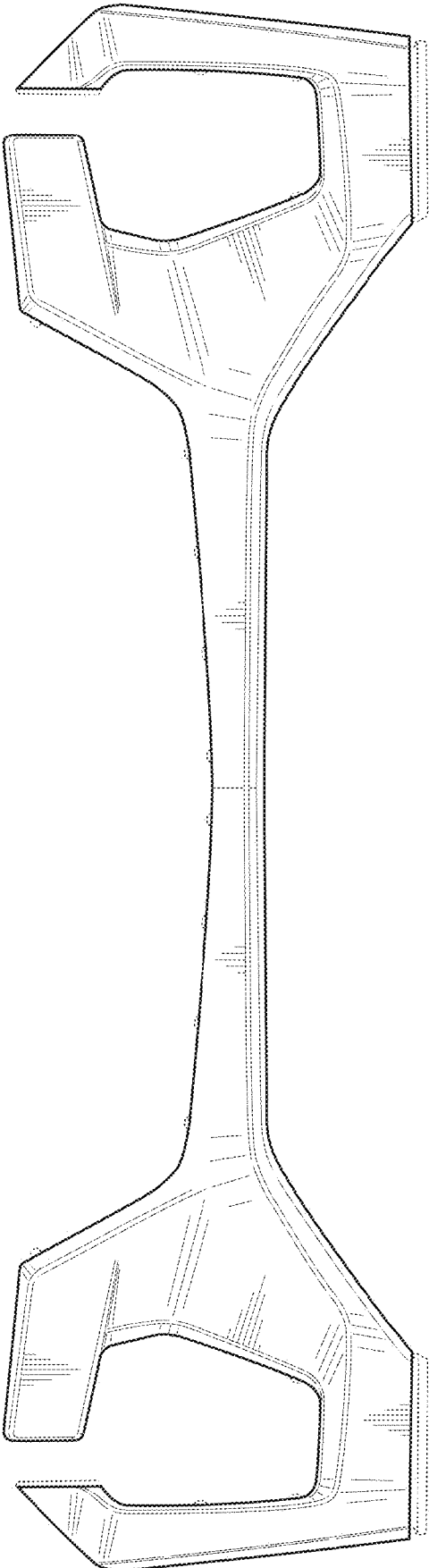


FIG. 2

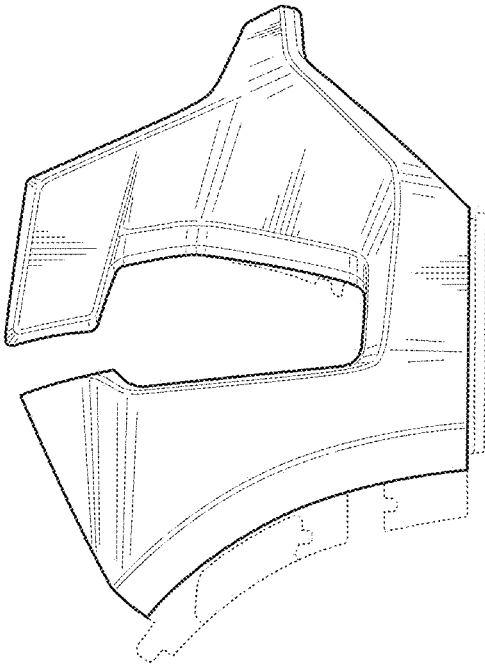


FIG. 3

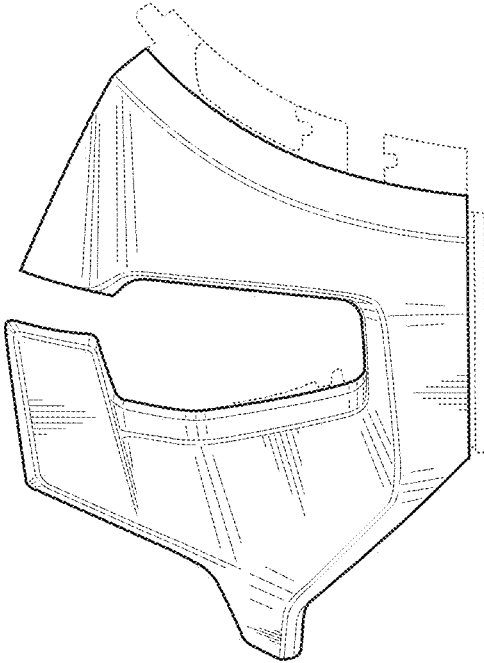


FIG. 4

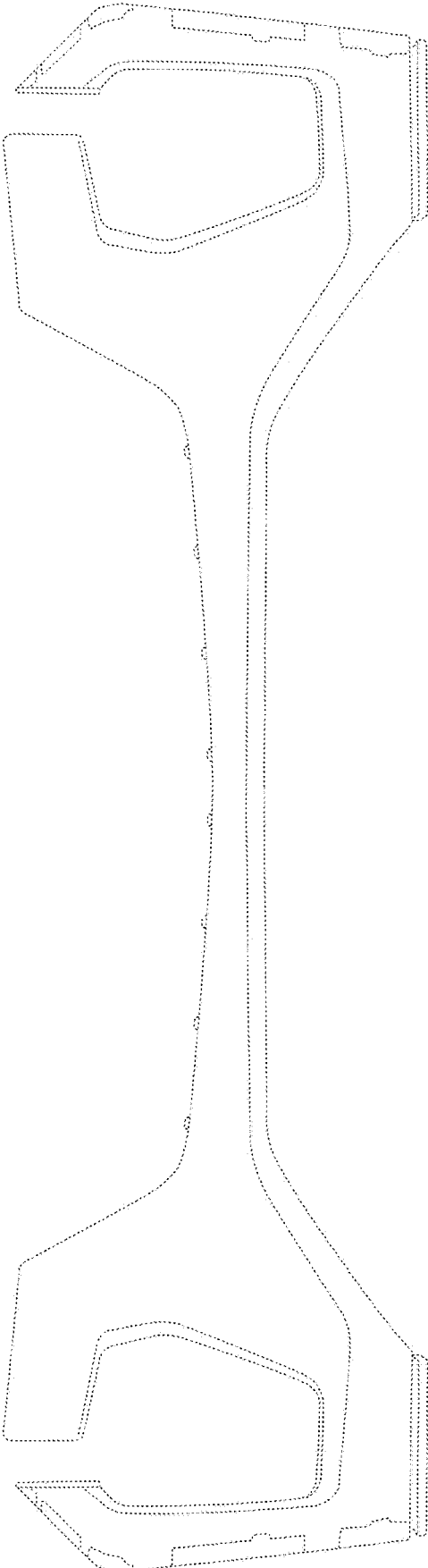


FIG. 5

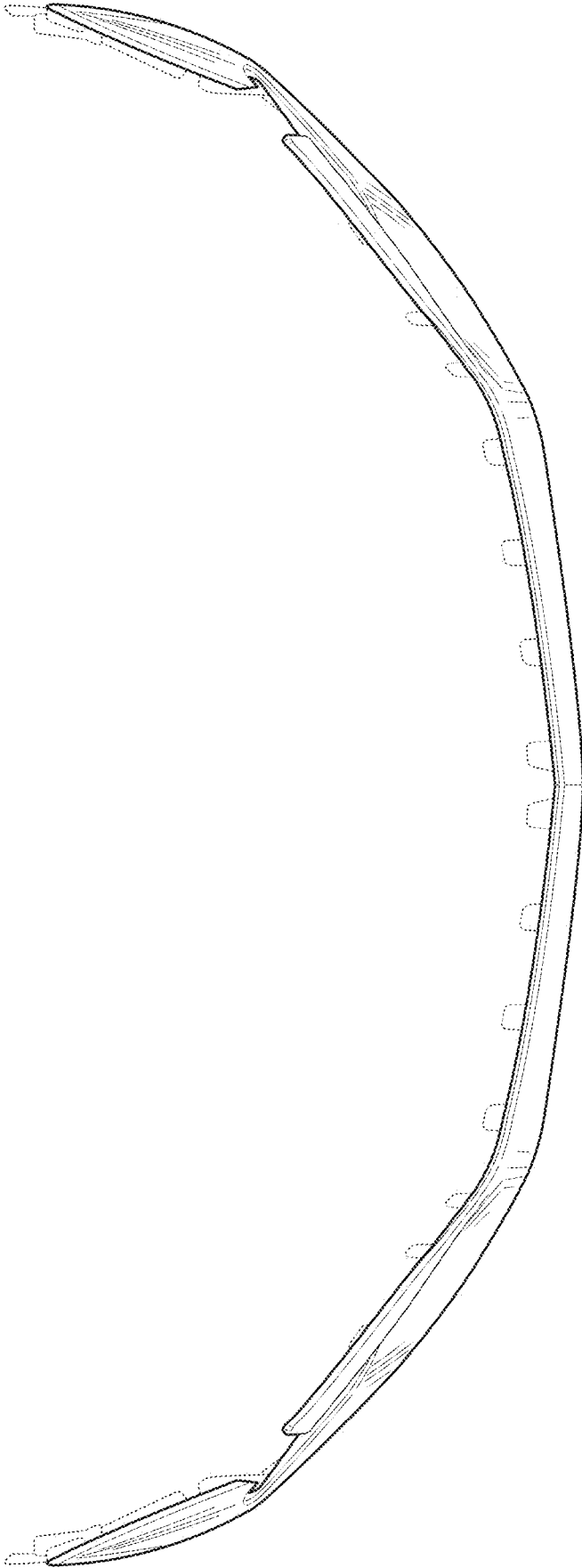


FIG. 6



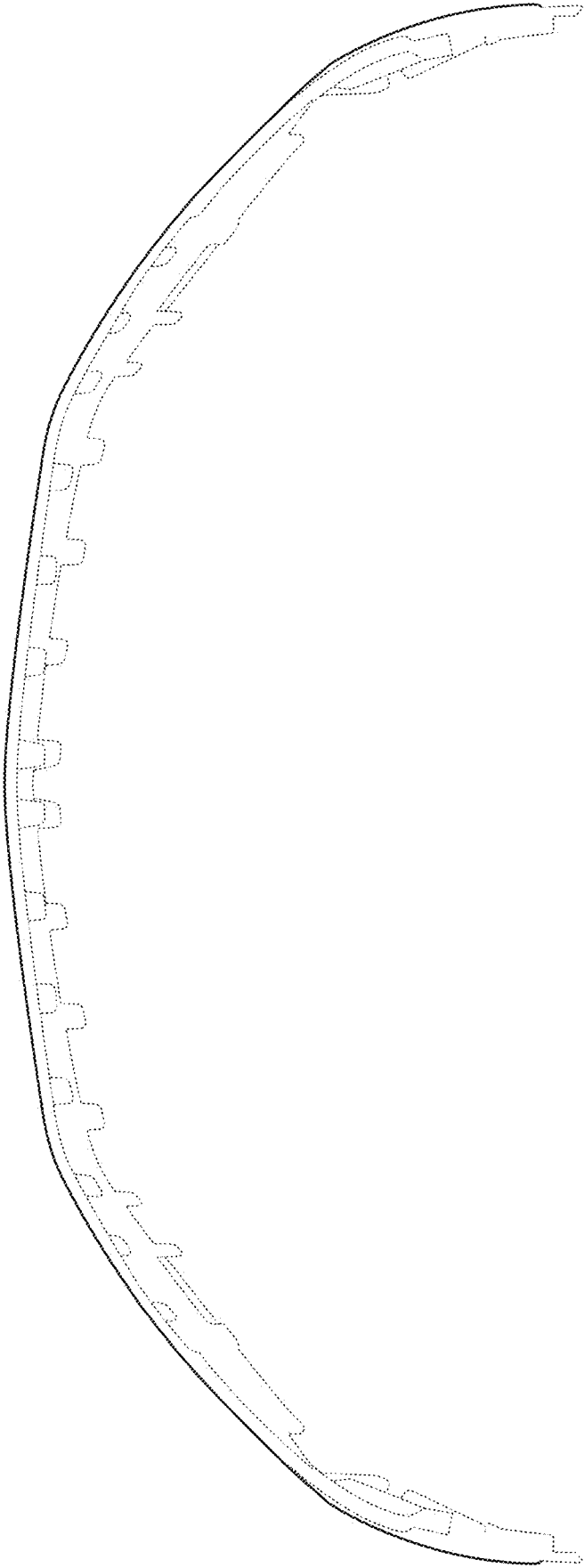


FIG. 7