



US00D811652S

(12) **United States Design Patent**
Liu

(10) **Patent No.:** **US D811,652 S**

(45) **Date of Patent:** **** Feb. 27, 2018**

(54) **ELECTRONIC CIGARETTE ATOMIZER**

(71) Applicant: **Tuanfang Liu, Ji'an (CN)**

(72) Inventor: **Tuanfang Liu, Ji'an (CN)**

(**) Term: **15 Years**

(21) Appl. No.: **29/588,057**

(22) Filed: **Dec. 16, 2016**

Related U.S. Application Data

(63) Continuation-in-part of application No. 29/534,454, filed on Jul. 28, 2015, now abandoned.

Foreign Application Priority Data

Mar. 19, 2015 (CN) 2015 3 0066498

(51) **LOC (11) Cl.** **27-02**

(52) **U.S. Cl.**
USPC **D27/167**

(58) **Field of Classification Search**

USPC D27/101, 106, 108, 163, 165, 169, 172,
D27/174, 175, 183, 186-190, 193, 195,
D27/131, 141, 142, 152, 153, 160;
D24/110; 131/273, 274, 191, 328-330;
128/202.21, 203.12

CPC A24F 47/002; A24F 47/004; A24F 47/006;
A24F 47/008; A61M 15/06

See application file for complete search history.

(56) **References Cited**

U.S. PATENT DOCUMENTS

D720,095 S * 12/2014 Alima D27/101
D720,881 S * 1/2015 Liu D27/101
D721,202 S * 1/2015 Liu D27/101
D727,562 S * 4/2015 Li D27/101

D729,440 S * 5/2015 Liu D27/101
D730,571 S * 5/2015 Chen D27/101
D731,112 S * 6/2015 Li D27/101
D751,249 S * 3/2016 Chen D27/101
D753,338 S * 4/2016 Chen D27/162
D764,703 S * 8/2016 Liu D27/101
D771,307 S * 11/2016 Wu D27/101
D778,492 S * 2/2017 Liu D27/101
D780,372 S * 2/2017 Liu D27/101
D782,109 S * 3/2017 King D27/195
D783,117 S * 4/2017 Gilbarte D22/117
D785,859 S * 5/2017 Pang D27/101
D785,861 S * 5/2017 Stoll D27/152
D788,362 S * 5/2017 Qiu D27/101
D790,766 S * 6/2017 Li D27/163
2016/0295920 A1* 10/2016 Liu H05B 3/0014

* cited by examiner

Primary Examiner — Susan Bennett Hattan

Assistant Examiner — Rebecca Tsehaye

(74) *Attorney, Agent, or Firm* — Matthias Scholl, PC;
Matthias Scholl

(57) **CLAIM**

The ornamental design for an electronic cigarette atomizer, as shown and described.

DESCRIPTION

FIG. 1 is a front elevational view of an electronic cigarette atomizer;

FIG. 2 is a rear elevational view thereof;

FIG. 3 is a left side elevational view thereof;

FIG. 4 is a right side elevational view thereof;

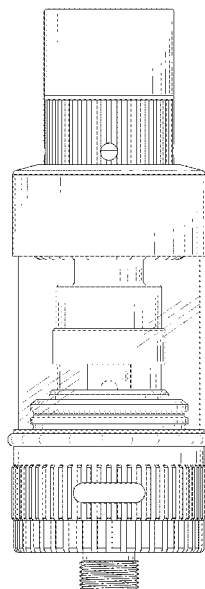
FIG. 5 is a top plan view thereof;

FIG. 6 is a bottom plan view thereof; and,

FIG. 7 is a perspective view thereof.

The broken lines in the drawings depict portions of the electronic cigarette atomizer that form no part of the claimed design.

1 Claim, 7 Drawing Sheets



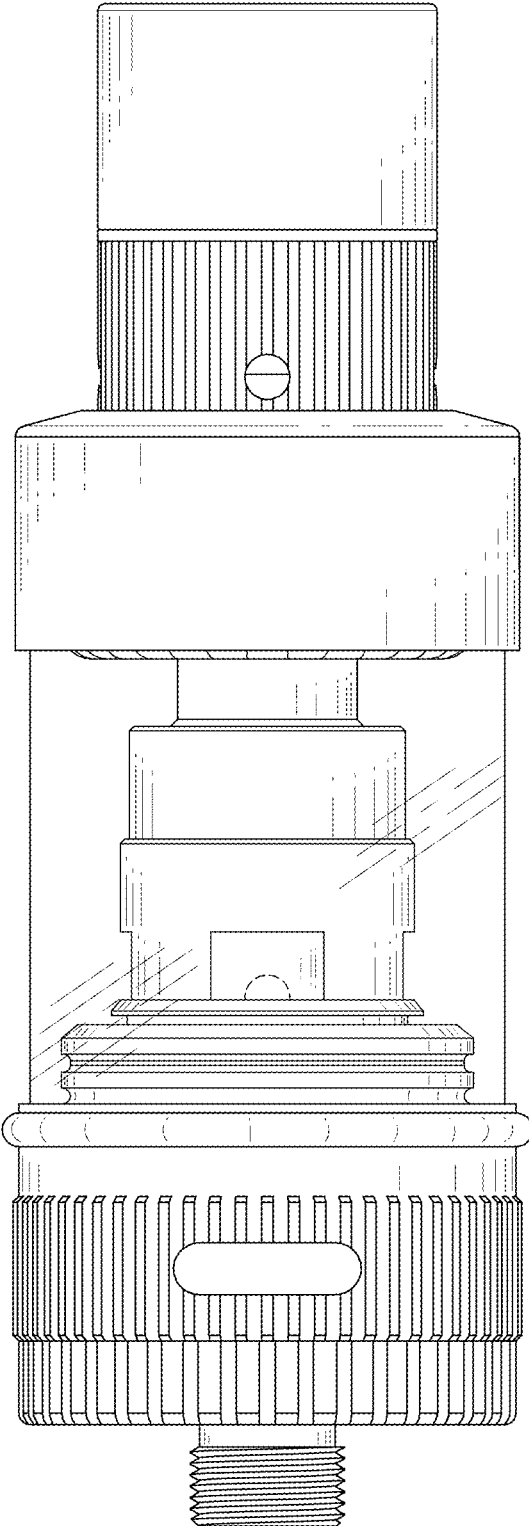


FIG. 1

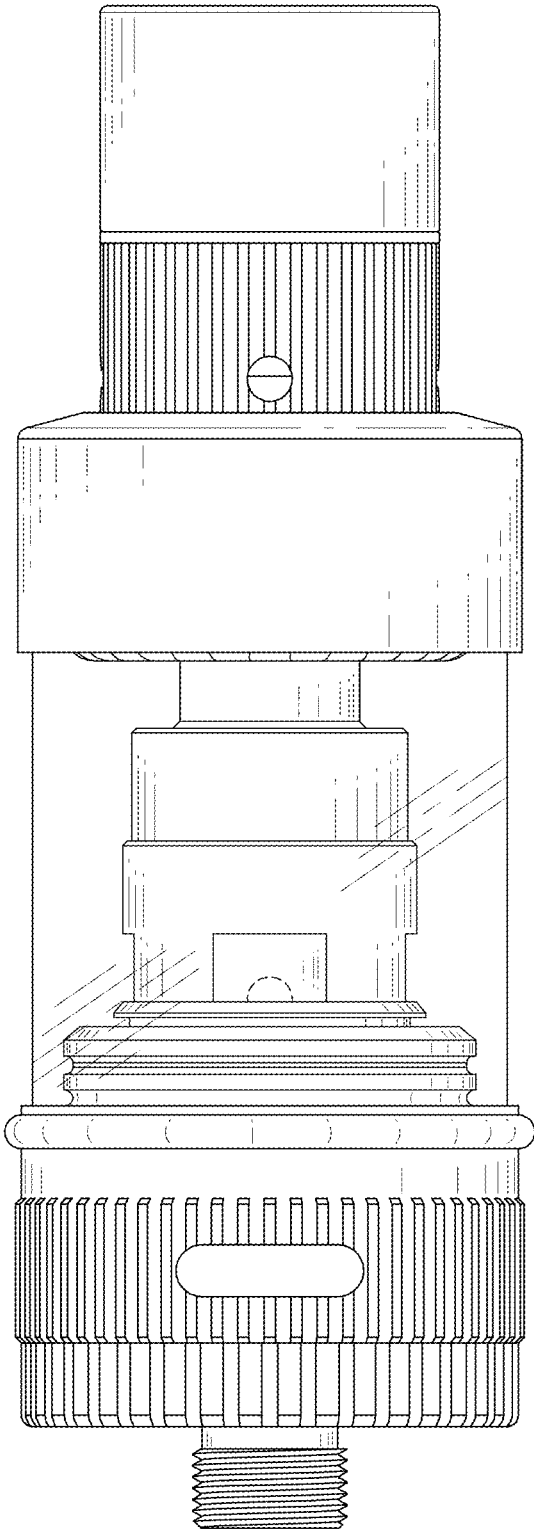


FIG. 2

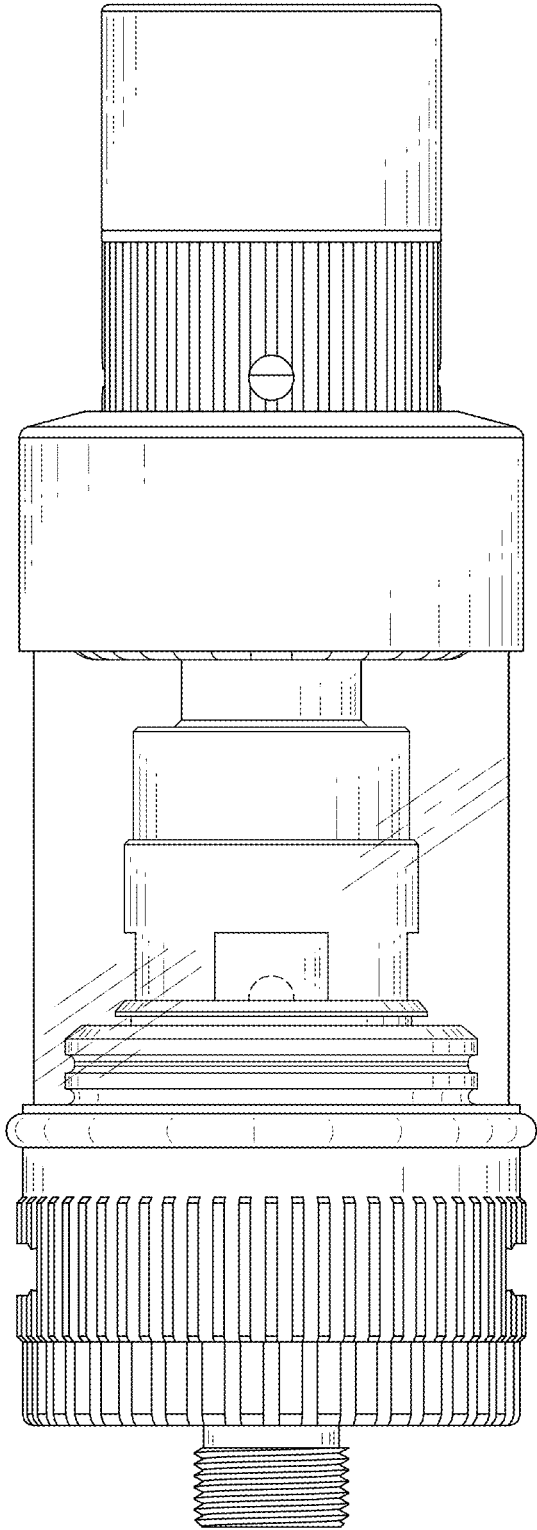


FIG. 3

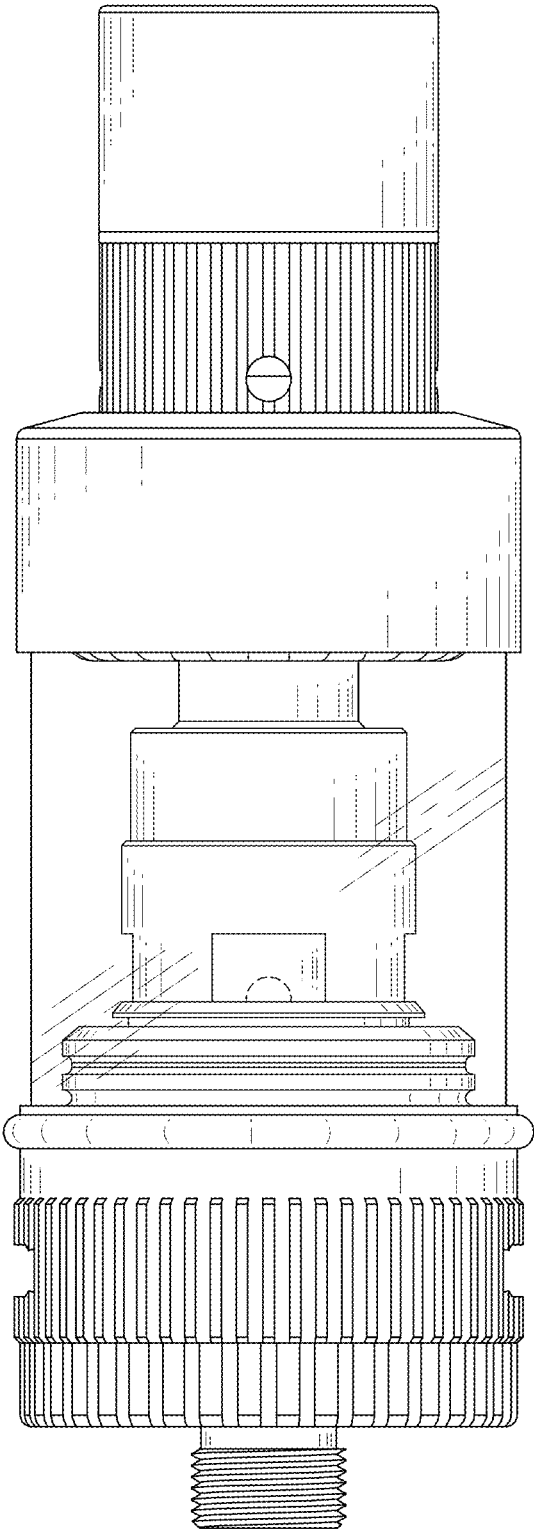


FIG. 4

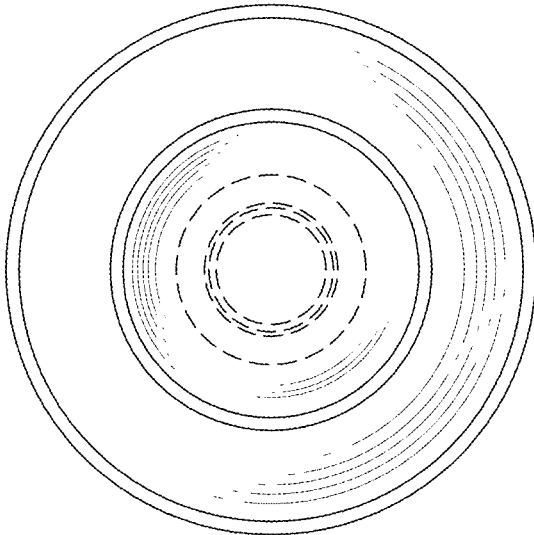


FIG. 5

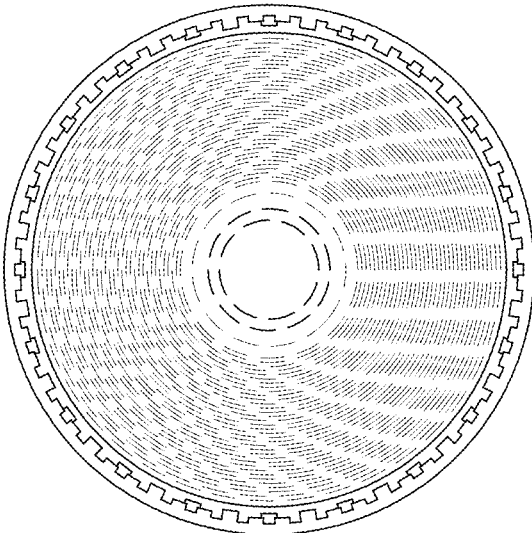


FIG. 6

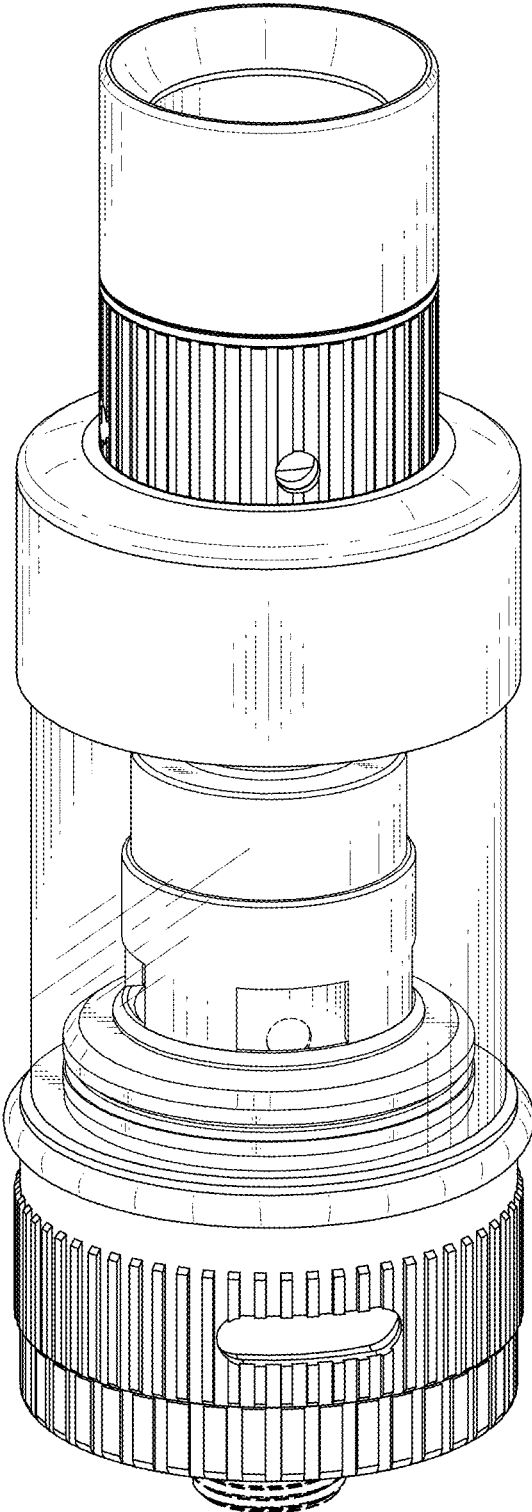


FIG. 7