



US00D994760S

(12) **United States Design Patent**
Denton

(10) **Patent No.:** **US D994,760 S**

(45) **Date of Patent:** **** Aug. 8, 2023**

(54) **SMARTGLASSES**

(71) Applicant: **ZOPHONOS INC.**, Dover, DE (US)

(72) Inventor: **Levaughn Denton**, Baisley Park, NY (US)

(**) Term: **15 Years**

(21) Appl. No.: **29/749,014**

(22) Filed: **Sep. 2, 2020**

(51) **LOC (14) Cl.** **16-06**

(52) **U.S. Cl.**
USPC **D16/335**

(58) **Field of Classification Search**
USPC D16/300, 315, 319, 320, 321, 323, 325,
D16/327, 329, 326, 335

CPC G02C 7/10; G02C 5/008
See application file for complete search history.

(56) **References Cited**

U.S. PATENT DOCUMENTS

D556,246	S	*	11/2007	Yee	D16/326
D557,730	S	*	12/2007	Mage	D16/326
D599,838	S	*	9/2009	Rohrbach	D16/326
D638,462	S	*	5/2011	Bumgardner	D16/325
D660,342	S	*	5/2012	Kim	D16/320
D662,124	S	*	6/2012	Shin	D16/326
D664,183	S	*	7/2012	Stepan	D16/326
D675,666	S	*	2/2013	Thixton	D16/326
D676,480	S	*	2/2013	Shin	D16/323
D691,193	S	*	10/2013	Lombardi	D16/326
D748,719	S	*	2/2016	Hsu	D16/326
D810,182	S	*	2/2018	Porter	D16/309
D862,573	S	*	10/2019	Liu	D16/326

OTHER PUBLICATIONS

Epson moverio bt-30c smart glasses, posted at engadget.com, posting date May 8, 2019, [online], [site visited Feb. 22, 2022]. Available from Internet, URL: <https://www.engadget.com/2019-05-08-epsons-500-smart-glasses-are-literally-powered-by-your-phone.html> (Year: 2019).*

Vuzix Blade Smart Glasses, posted at vuzix.com, posting date not given, [online], [site visited Feb. 22, 2022]. Available from Internet, URL: <https://www.vuzix.com/products/vuzix-blade-smart-glasses-upgraded> (Year: 2022).*

* cited by examiner

Primary Examiner — Maria J. Edwards

(74) *Attorney, Agent, or Firm* — Gearhart Law LLC; David Postolski

(57) **CLAIM**

I claim the ornamental design for smartglasses, as shown and described.

DESCRIPTION

FIG. 1 is a perspective view of my new ornamental design for smartglasses.

FIG. 2 is a front elevation view of FIG. 1.

FIG. 3 is a rear elevation view of FIG. 1.

FIG. 4 is a left-side elevation view of FIG. 1.

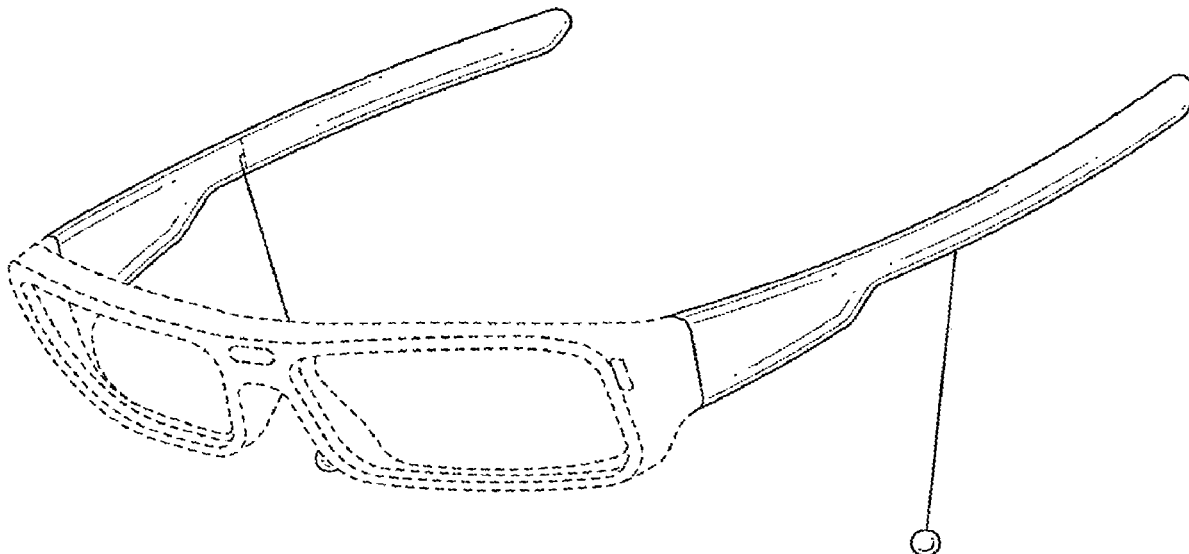
FIG. 5 is a right-side elevation view of FIG. 1.

FIG. 6 is a top plan view of FIG. 1; and,

FIG. 7 is a bottom plan view of FIG. 1.

The broken lines in the drawings depict portions of the smartglasses and form no part of the claimed design.

1 Claim, 7 Drawing Sheets



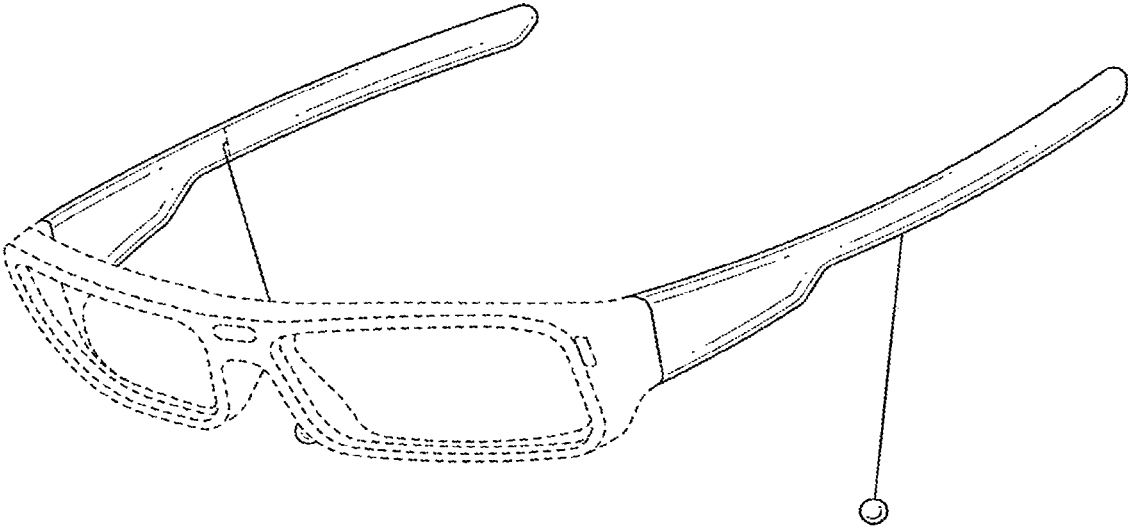


Fig. 1

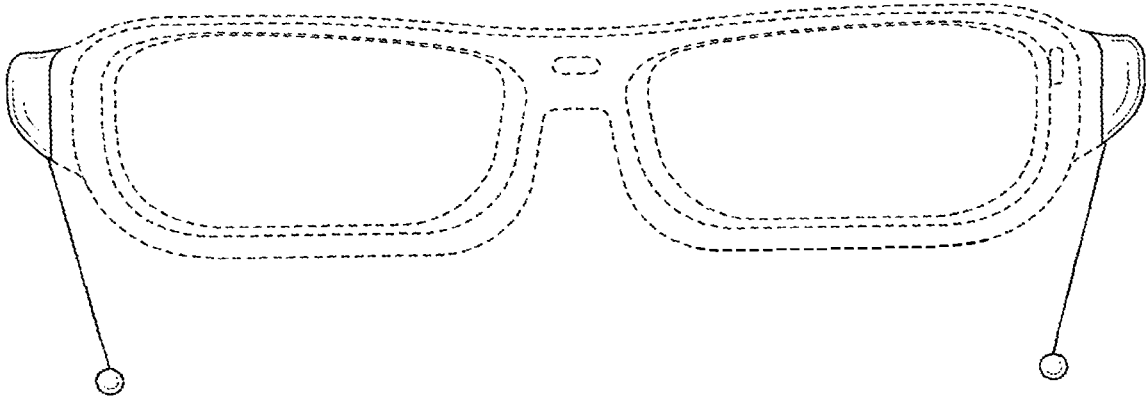


FIG. 2

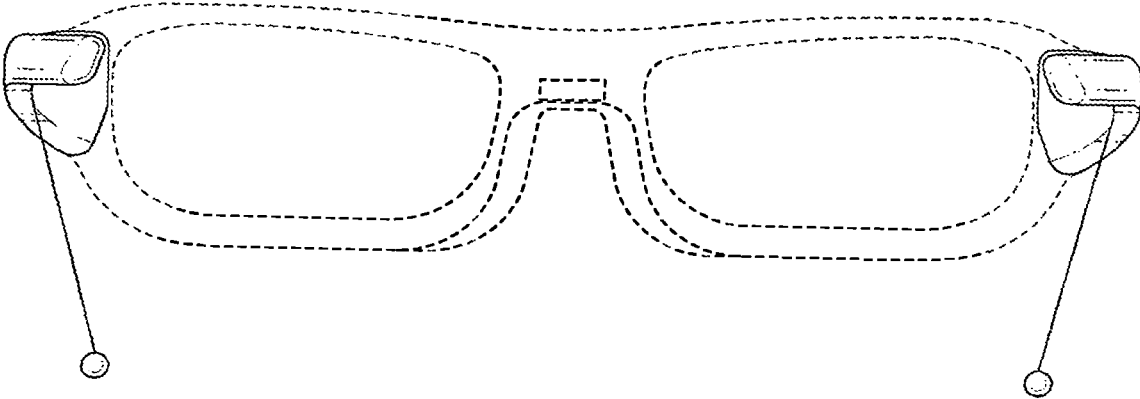


FIG. 3

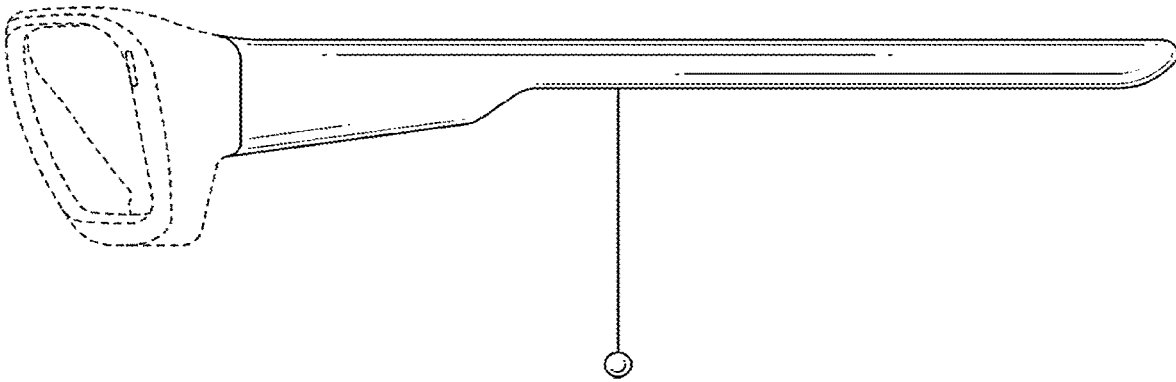


FIG. 4

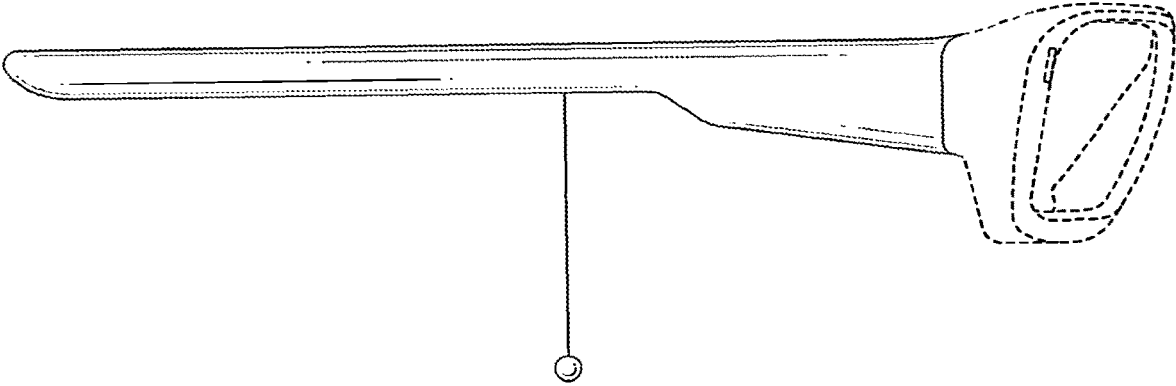


FIG. 5

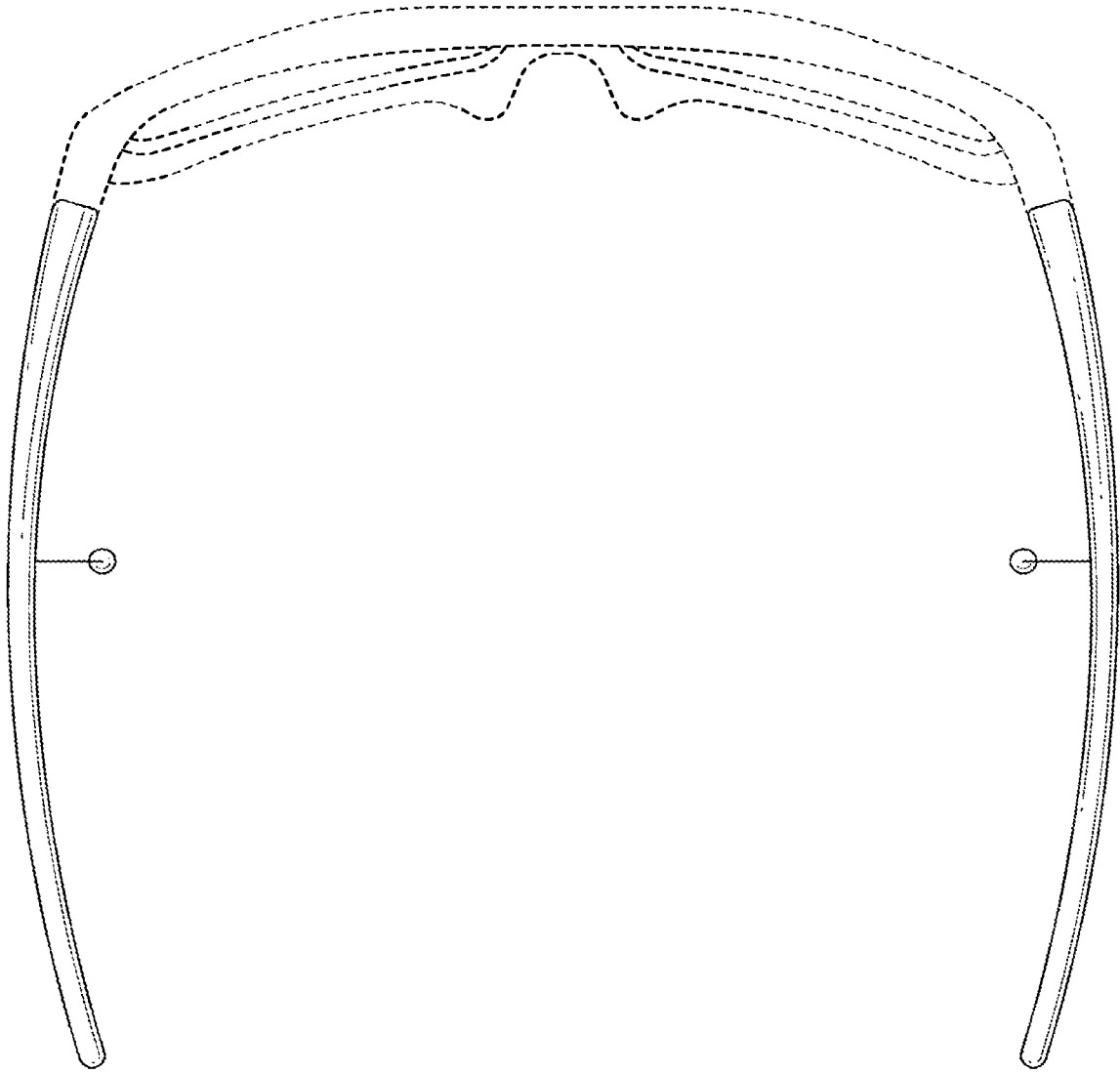


FIG. 6

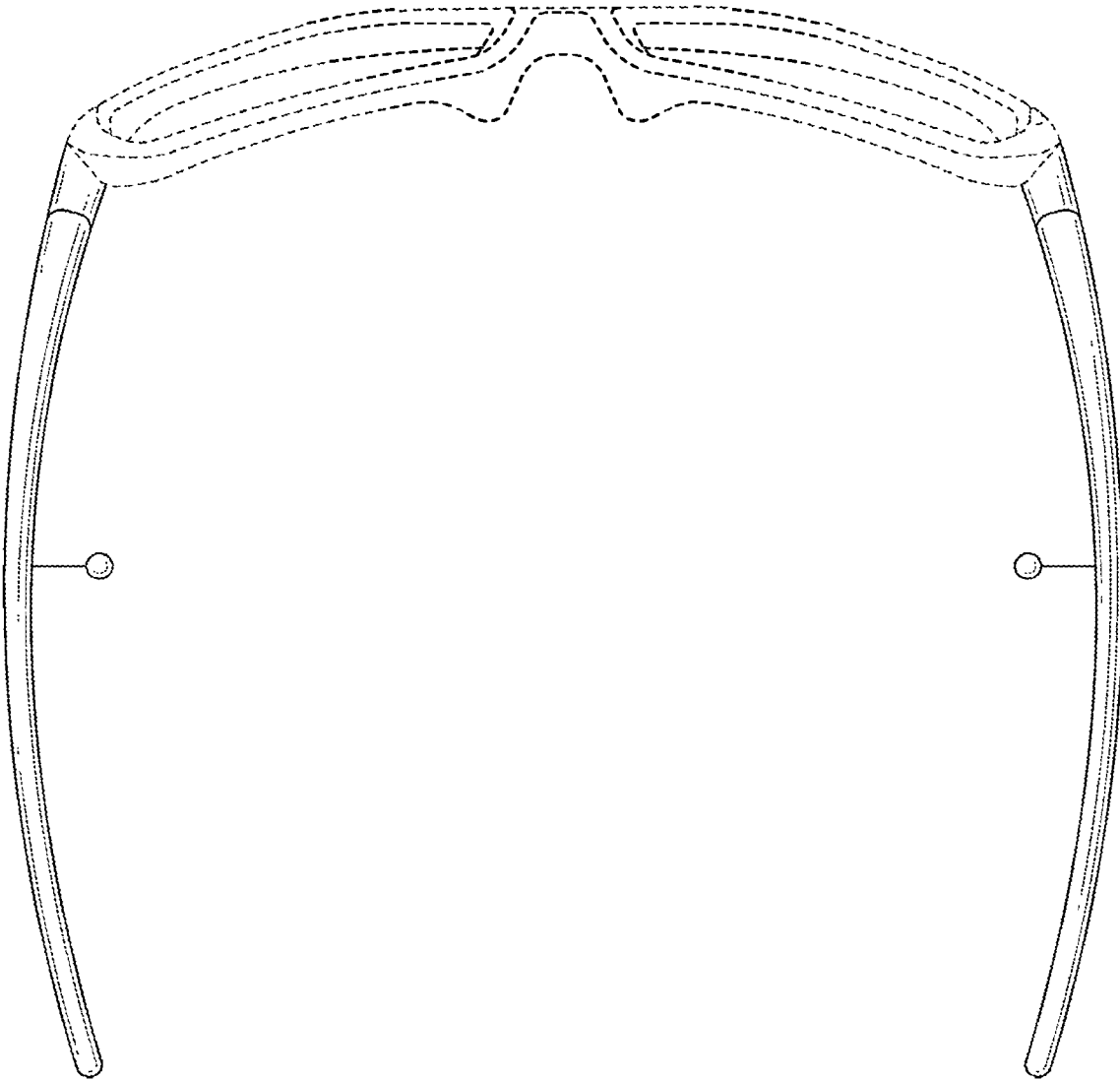


FIG. 7