

(12) **UK Patent Application** (19) **GB** (11) **2467268** (13) **A**

(43) Date of Reproduction by UK Office **28.07.2010**

(21) Application No: **1008821.9**  
(22) Date of Filing: **30.10.2008**  
(30) Priority Data:  
(31) **563002** (32) **30.10.2007** (33) **NZ**

(86) International Application Data:  
**PCT/NZ2008/000289 En 30.10.2008**

(87) International Publication Data:  
**WO2009/058032 En 07.05.2009**

(71) Applicant(s):  
**Fisher & Paykel Healthcare Limited  
15 Maurice Paykel Place, East Tamaki, Auckland,  
New Zealand (including the Cook Islands,  
Niue and Tokelau)**  
(72) Inventor(s):  
**Christopher David Gillespie**  
(74) Agent and/or Address for Service:  
**D Young & Co LLP  
120 Holborn, LONDON, EC1N 2DY, United Kingdom**

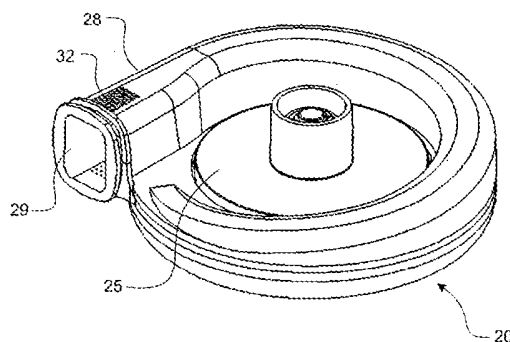
(51) INT CL:  
**A61M 16/16** (2006.01) **A61H 31/00** (2006.01)  
**A61M 16/00** (2006.01) **A61M 16/10** (2006.01)  
**A62B 7/00** (2006.01) **A62B 7/14** (2006.01)  
**A62B 9/00** (2006.01) **A62B 9/06** (2006.01)  
**A62B 21/00** (2006.01)

(56) Documents Cited by ISA:  
**GB 2192136 A** **US 7128069 B2**  
**US 6881033 B2** **US 6182657 B1**

(58) Field of Search by ISA:  
INT CL **A61M, A62B**  
Other: **WPI, EPODOC**

(54) Title of the Invention: **Fan unit with bypass vent holes**  
Abstract Title: **Fan unit with bypass vent holes**

(57) A fan unit which in use forms part of a gases supply unit, the gases supply unit suitable for use as part of a system for providing heated humidified gases to a user, the fan unit having a casing that has an inlet aperture and an outlet passage, the outlet passage including an exit aperture, the fan unit also including a fan which is located inside the casing and which is adapted for connection to a motor to drive rotation of the fan in use, the fan drawing gases into the casing via the inlet aperture, and forcing these gases out of the casing via the outlet passage as a gases stream, the outlet passage further including at least one bypass vent hole independent of the exit aperture and arranged at an angle to the path of the gases stream through the outlet passage.



**FIGURE 13**

**GB 2467268 A**