



US00D854220S

(12) **United States Design Patent**  
**Coirier**

(10) **Patent No.:** **US D854,220 S**

(45) **Date of Patent:** **\*\* \*Jul. 16, 2019**

- (54) **LIGHTING FIXTURE**
- (71) Applicant: **SIGNIFY HOLDING B.V.**, Eindhoven (NL)
- (72) Inventor: **Florent Coirier**, Paris (FR)
- (73) Assignee: **SIGNIFY HOLDING B.V.**, Eindhoven (NL)
- (\* ) Notice: This patent is subject to a terminal disclaimer.
- (\*\*) Term: **15 Years**
- (21) Appl. No.: **29/616,173**
- (22) Filed: **Sep. 1, 2017**

D264,007 S *	4/1982	Heritage .....	D26/63
D264,254 S *	5/1982	Heritage .....	D26/63
D291,253 S *	8/1987	Ortega .....	D26/29
D315,417 S *	3/1991	Ziaylek, Jr. ....	D26/24
D469,212 S *	1/2003	Chiu .....	D26/118
D473,966 S *	4/2003	Lecluze .....	D26/74
D595,452 S *	6/2009	Khang .....	F21S 8/026
			D26/138
D610,289 S *	2/2010	Yoshinobu .....	D26/74
D633,636 S *	3/2011	Gielen .....	D26/74
D639,993 S *	6/2011	Mier-Langner .....	F21S 8/02
			D26/74
D641,914 S *	7/2011	Sprengers .....	D26/89
D681,861 S *	5/2013	Soni .....	D26/74
D713,585 S *	9/2014	Van Lierde .....	D26/66
D769,503 S *	10/2016	Van Lierde .....	D26/74
D831,873 S *	10/2018	Rybol .....	D26/74
D838,892 S *	1/2019	Redfern .....	D26/74
2003/0142499 A1 *	7/2003	Chiu .....	F21S 2/005
			362/368

(30) **Foreign Application Priority Data**

Mar. 14, 2017 (EM) ..... 003799584-0004

(51) **LOC (11) Cl.** ..... **26-05**

(52) **U.S. Cl.** ..... **D26/74**

USPC ..... **D26/74**

(58) **Field of Classification Search**

USPC ..... D26/72, 74, 79, 82, 83, 85, 88, 89

CPC ..... F21V 21/02; F21V 21/04; F21V 21/042;

F21V 21/044; F21V 21/047; F21V 29/00;

F21V 29/2212; F21V 29/72; F21V 29/75;

F21V 29/76; F21S 8/00; F21S 8/02; F21S

8/026; F21S 8/04; F21S 2/005

See application file for complete search history.

(56) **References Cited**

**U.S. PATENT DOCUMENTS**

2,626,120 A \* 1/1953 Baker ..... F21V 21/02

174/62

D247,562 S \* 3/1978 Walker ..... D14/209

\* cited by examiner

*Primary Examiner* — Cathron C Brooks

(57) **CLAIM**

The ornamental design for a “lighting fixture,” as shown and described.

**DESCRIPTION**

FIG. 1 is a perspective view showing my design;

FIG. 2 is a front elevational view thereof;

FIG. 3 is a rear elevational view thereof;

FIG. 4 is a right side elevational view thereof;

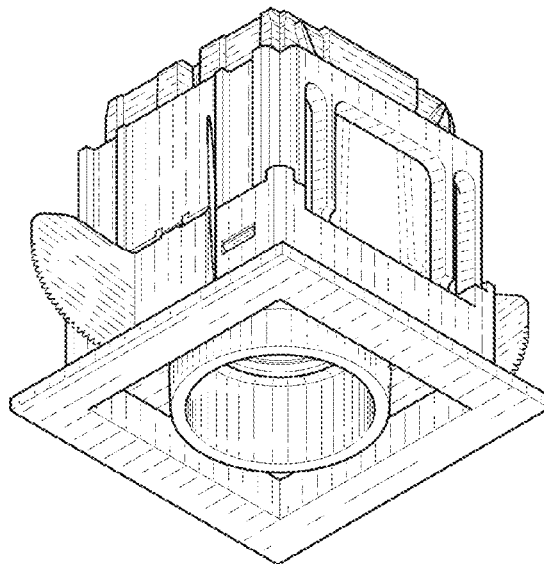
FIG. 5 is a left side elevational view thereof;

FIG. 6 is a top plan view thereof; and,

FIG. 7 is a bottom plan view thereof.

The broken lines in the reproductions illustrate portions of the lighting fixture that form not part of the claimed design.

**1 Claim, 4 Drawing Sheets**



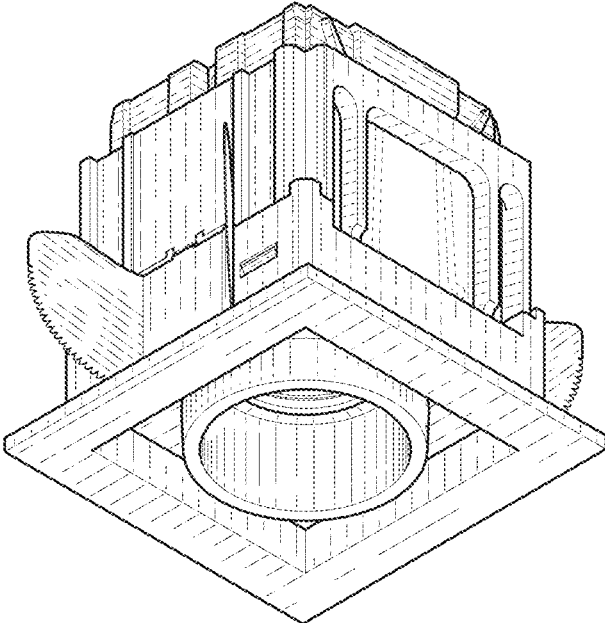


FIG. 1

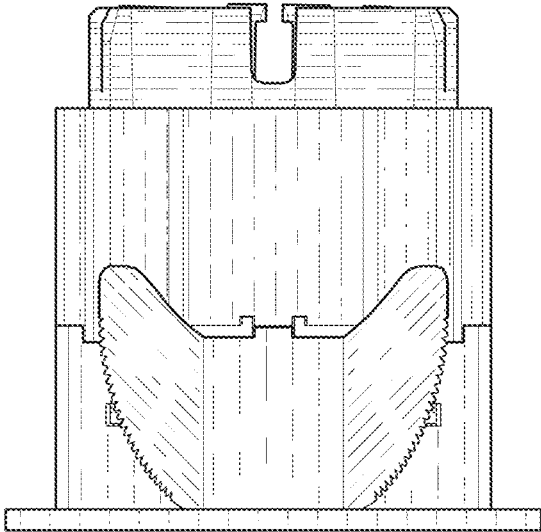


FIG. 2

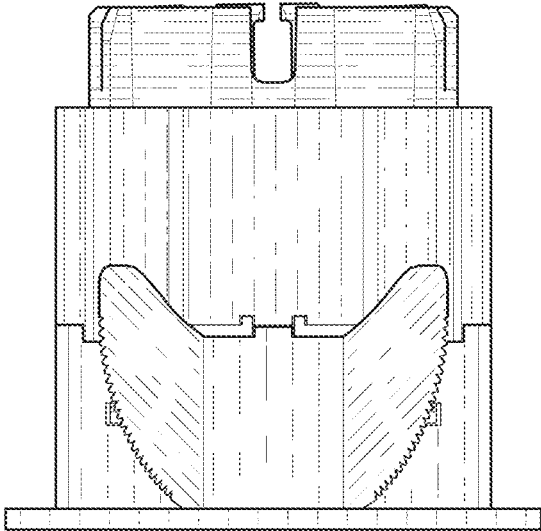


FIG. 3

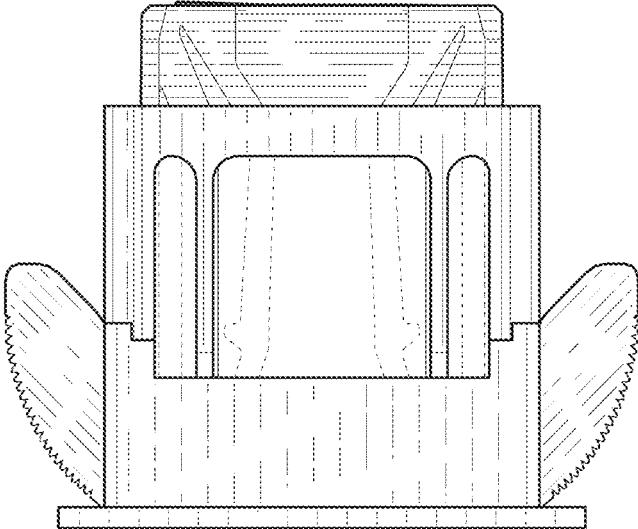


FIG. 4

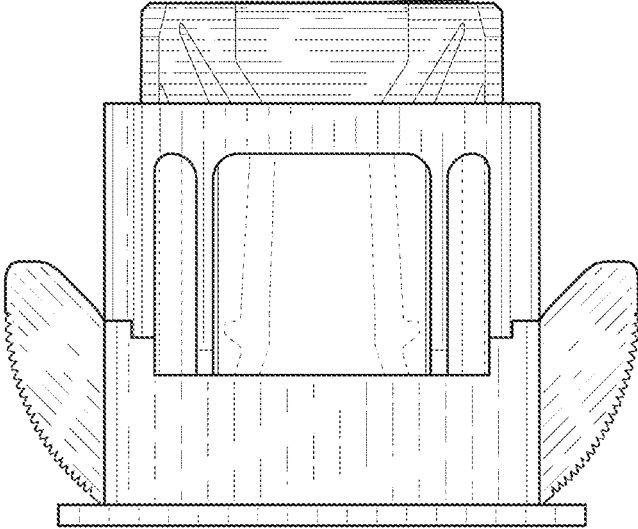


FIG. 5

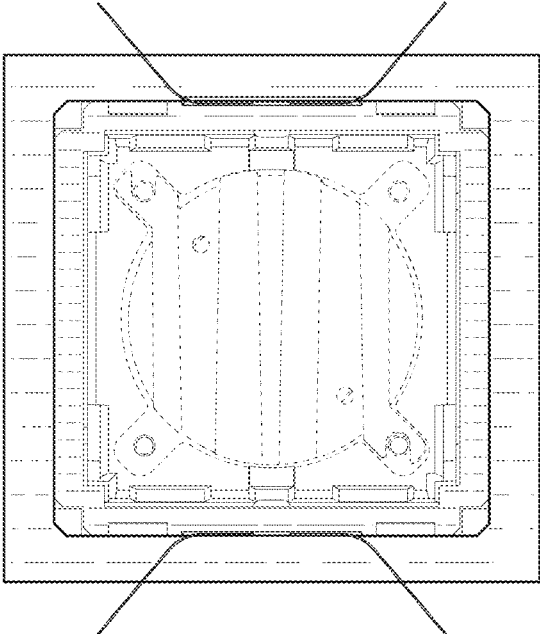


FIG. 6

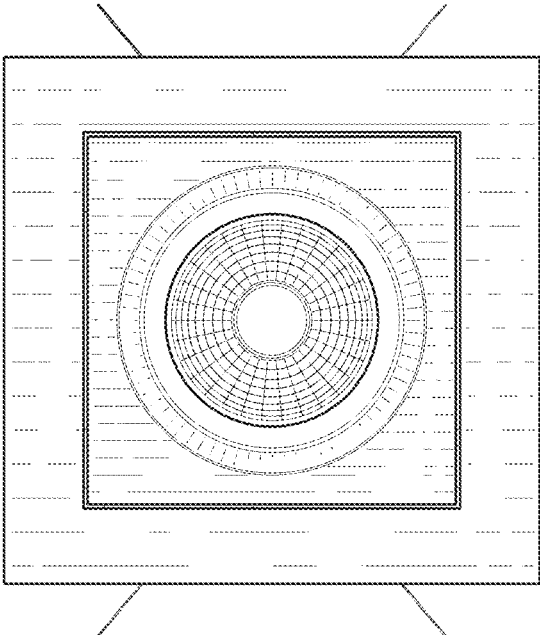


FIG. 7