



US00D575300S

(12) **United States Design Patent**
Kaminaga

(10) **Patent No.:** **US D575,300 S**

(45) **Date of Patent:** **** Aug. 19, 2008**

(54) **IMAGE FOR A DIGITAL CAMERA**

(75) Inventor: **Tomomi Kaminaga**, Hachioji (JP)

(73) Assignee: **Olympus Corporation**, Tokyo (JP)

(**) Term: **14 Years**

(21) Appl. No.: **29/277,998**

(22) Filed: **Mar. 15, 2007**

Related U.S. Application Data

(62) Division of application No. 29/215,709, filed on Oct. 22, 2004, now Pat. No. Des. 559,854.

(30) **Foreign Application Priority Data**

Aug. 30, 2004	(JP)	2004-026029
Aug. 30, 2004	(JP)	2004-026030
Aug. 30, 2004	(JP)	2004-026031
Aug. 30, 2004	(JP)	2004-026032

(51) **LOC (8) Cl.** **14-04**

(52) **U.S. Cl.** **D14/486**

(58) **Field of Classification Search** D14/485-95;
D18/24-33; D19/6; D20/11; D21/324-33;
715/700-867, 973-77

See application file for complete search history.

(56) **References Cited**

U.S. PATENT DOCUMENTS

D418,826	S	*	1/2000	Pavely et al.	D14/486
D420,340	S	*	2/2000	Bailer et al.	D14/486
D422,582	S	*	4/2000	Bright et al.	D14/493

D437,601	S	*	2/2001	Utsuki et al.	D14/486
D443,623	S	*	6/2001	Nijjima	D14/485
D444,793	S	*	7/2001	Richter	D14/486
D459,361	S	*	6/2002	Inagaki	D14/486
D469,105	S	*	1/2003	Hammerquist et al.	D14/486
D470,857	S	*	2/2003	Anderson et al.	D14/485
D474,778	S	*	5/2003	Barnes	D14/486
D478,595	S	*	8/2003	Istvan et al.	D14/486
D486,834	S	*	2/2004	Allen et al.	D14/486
D495,715	S	*	9/2004	Gildred	D14/486
D506,474	S	*	6/2005	Gildred	D14/486
D509,831	S	*	9/2005	Mitani et al.	D14/486
D523,440	S	*	6/2006	Hernandez et al.	D14/486
D525,982	S	*	8/2006	Suzuki	D14/486
D528,557	S	*	9/2006	Aoki	D14/486
D541,291	S	*	4/2007	Zhou et al.	D14/486

* cited by examiner

Primary Examiner—Melanie H Tung

(74) *Attorney, Agent, or Firm*—Hogan & Hartson LLP

(57) **CLAIM**

The ornamental design for a digital camera, as shown and described.

DESCRIPTION

FIG. 1 is a perspective view of an image for a digital camera; and,

FIG. 2 is a front view thereof.

The broken line drawings of the elements within the image and the digital camera, and the digital camera are for illustrative purposes only and form no part of the claimed design.

1 Claim, 1 Drawing Sheet

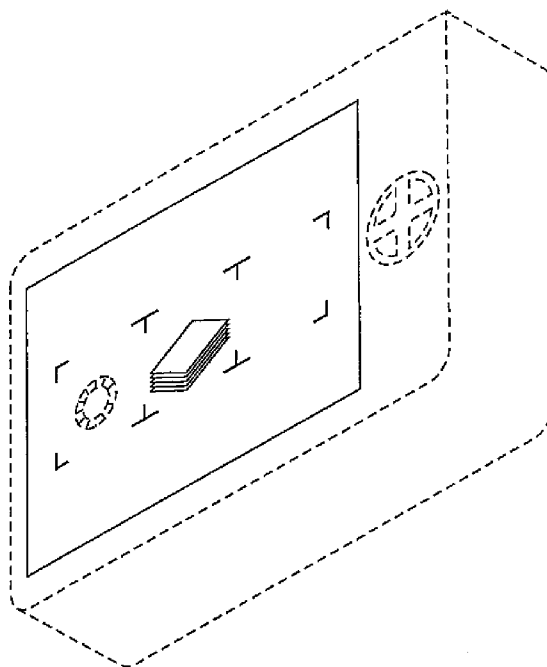


FIG. 1

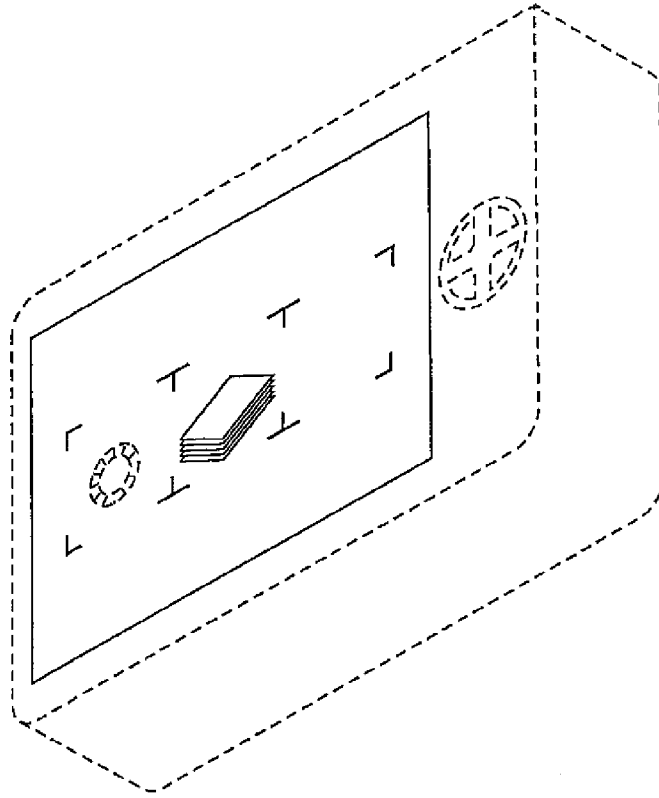


FIG. 2

