



US00D986429S

(12) **United States Design Patent**
Wersland et al.

(10) **Patent No.:** **US D986,429 S**
(45) **Date of Patent:** **** May 16, 2023**

(54) **ATTACHMENT FOR FACIAL TREATMENT DEVICE**

| | | | |
|--------------|---------|----------|---------|
| D896,393 S | 9/2020 | Wersland | |
| D904,636 S * | 12/2020 | Delassus | D24/214 |
| D918,404 S * | 5/2021 | Wersland | D24/211 |
| D918,405 S * | 5/2021 | Wersland | D24/211 |
| D927,717 S * | 8/2021 | Wersland | D24/215 |
| D949,366 S * | 4/2022 | Li | D24/211 |
| D952,878 S * | 5/2022 | Lin | D24/211 |

(71) Applicant: **Therabody, Inc.**, Los Angeles, CA (US)

(72) Inventors: **Jason Wersland**, Manhattan Beach, CA (US); **Benjamin Nazarian**, Beverly Hills, CA (US); **Jaime Sanchez Solana**, Los Angeles, CA (US); **Eduardo Merino**, Beverly Hills, CA (US); **Tim Roberts**, Beverly Hills, CA (US)

(73) Assignee: **Therabody, Inc.**, Los Angeles, CA (US)

(**) Term: **15 Years**

(21) Appl. No.: **29/772,514**

(22) Filed: **Mar. 2, 2021**

(51) **LOC (14) Cl.** **24-01**

(52) **U.S. Cl.**
USPC **D24/215**

(58) **Field of Classification Search**
USPC D24/200, 209, 211, 212, 213, 214, 215;
D7/393; D8/307, 310, 378; D9/435, 439
CPC A61H 2015/0014; A61H 23/006; A61H
2015/0042; A61H 7/007
See application file for complete search history.

(56) **References Cited**

U.S. PATENT DOCUMENTS

| | | | |
|--------------|--------|----------|---------|
| D845,500 S * | 4/2019 | Wersland | D24/211 |
| D849,260 S * | 5/2019 | Wersland | D24/211 |
| D850,639 S * | 6/2019 | Wersland | D24/211 |
| D890,356 S * | 7/2020 | Jacobs | D24/214 |
| D890,942 S * | 7/2020 | Wersland | D24/211 |
| D890,943 S * | 7/2020 | Wersland | D24/211 |

OTHER PUBLICATIONS

Therabody, "TheraFace PRO Percussive Attachment", Accessed Date: Sep. 14, 2022. <https://www.therabody.com/us/en-us/theraface-pro-percussive-attachment-3-pack.html> (Year: 2022).*
Youtube, "How To: Theraface PRO Percussive Therapy Attachments", Published Date: Apr. 12, 2022. <https://www.youtube.com/watch?v=Kn9rKqdyPBk> (Year: 2022).*

* cited by examiner

Primary Examiner — Michael A Maharajh
(74) *Attorney, Agent, or Firm* — Sterne, Kessler, Goldstein & Fox P.L.L.C.

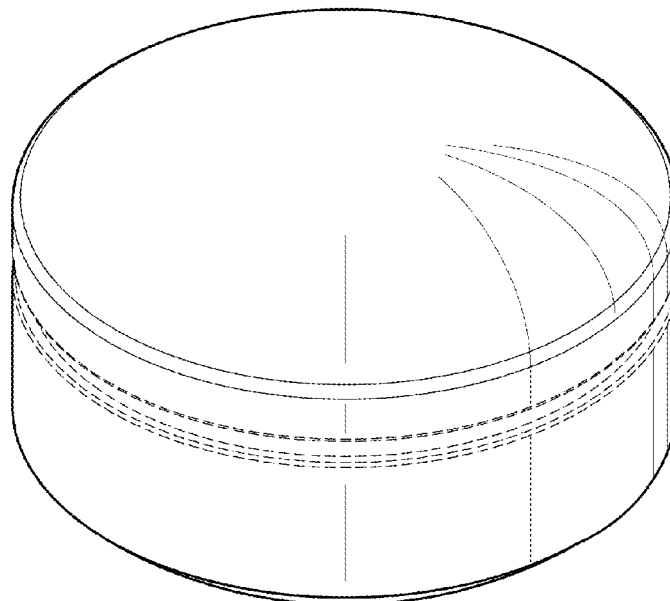
(57) **CLAIM**

The ornamental design for an attachment for a facial treatment device, as shown and described.

DESCRIPTION

FIG. 1 is a top perspective view of an attachment for a facial treatment device, showing the claimed design;
FIG. 2 is a front elevational view thereof, the rear, left and right elevational views being mirror images thereof;
FIG. 3 is a top plan view thereof;
FIG. 4 is a bottom plan view thereof; and,
FIG. 5 is a bottom perspective view thereof.
The broken lines shown in the figures are for the purpose of illustrating portions of the attachment for a facial treatment device that form no part of the claimed design.

1 Claim, 3 Drawing Sheets



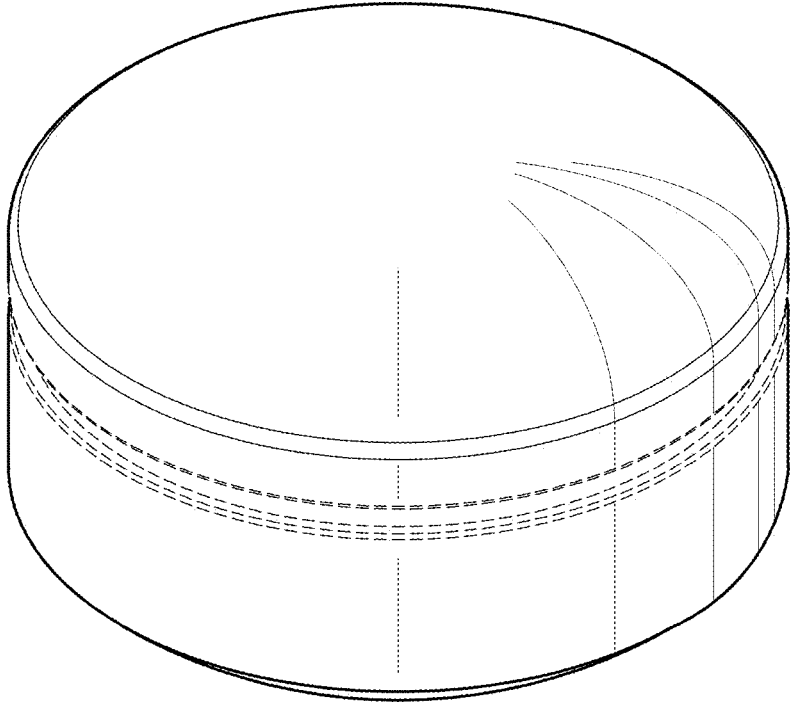


FIG. 1

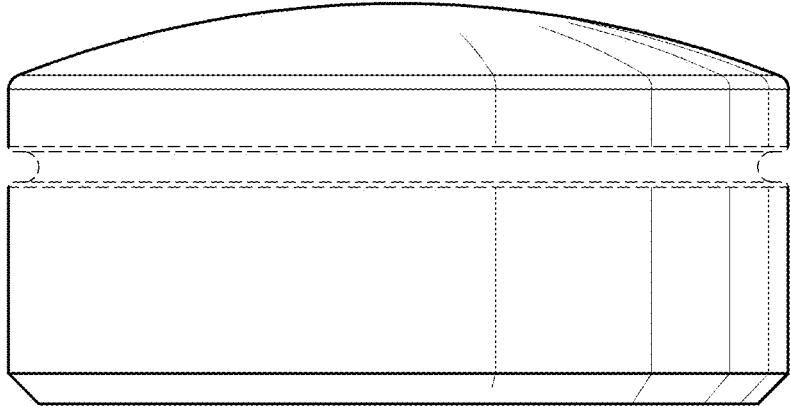


FIG. 2

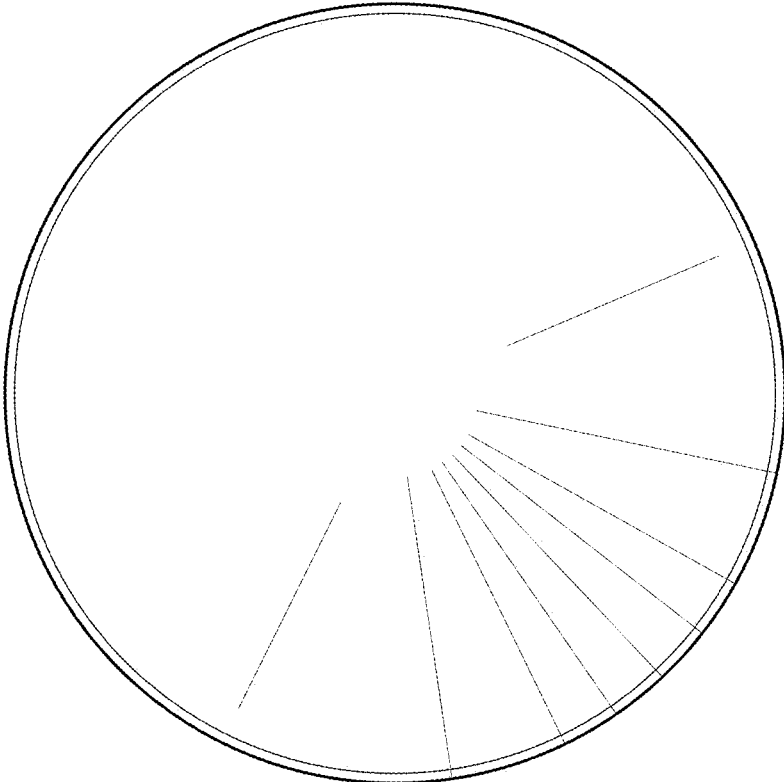


FIG. 3

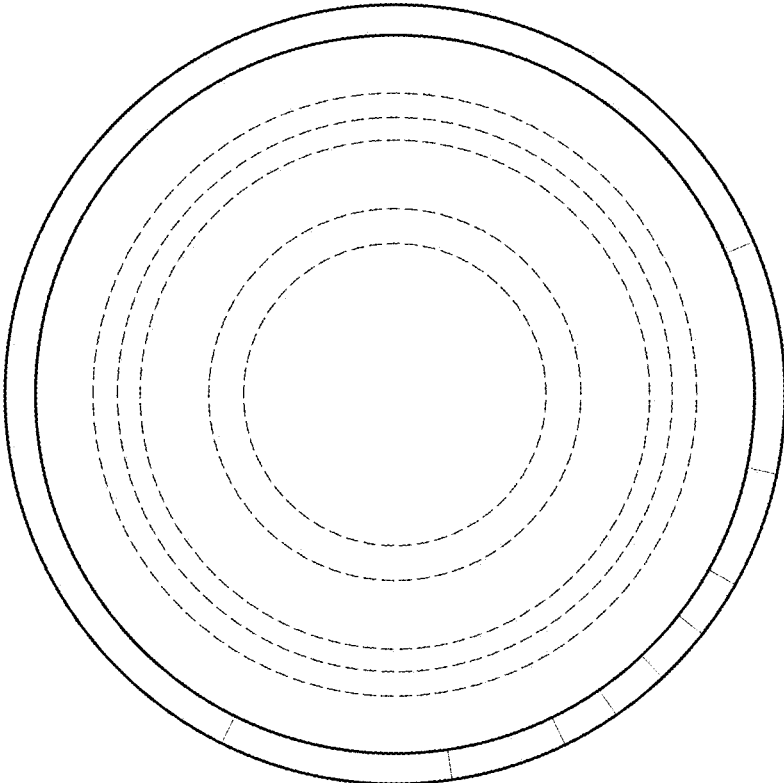


FIG. 4

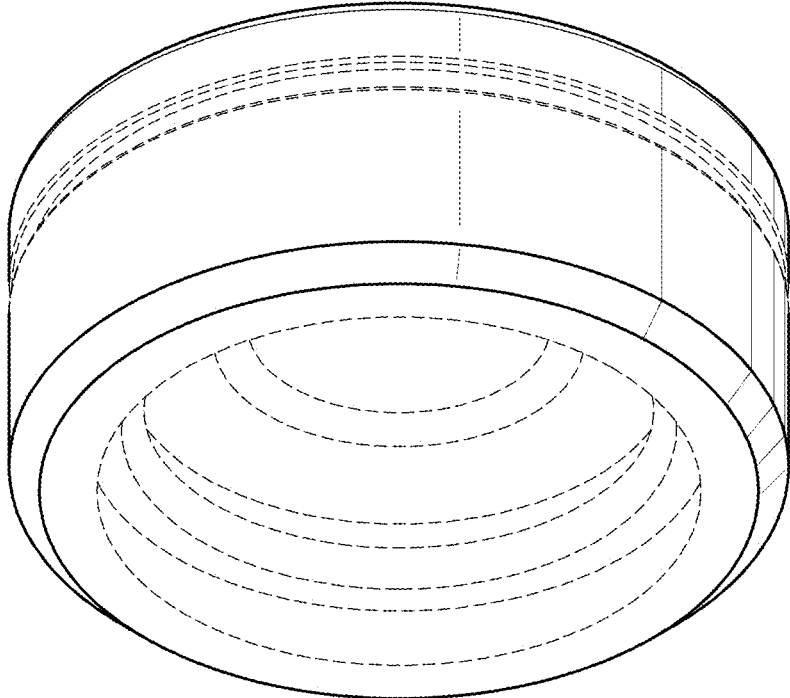


FIG. 5