



US00D719134S

(12) **United States Design Patent**  
**Gan**

(10) **Patent No.:** **US D719,134 S**

(45) **Date of Patent:** **\*\* \*Dec. 9, 2014**

(54) **HEADPHONE**

(71) Applicant: **Creative Technology Ltd**, Singapore (SG)

(72) Inventor: **Huey Ying Gan**, Singapore (SG)

(73) Assignee: **Creative Technology Ltd**, Singapore (SG)

(\* ) Notice: This patent is subject to a terminal disclaimer.

(\*\*) Term: **14 Years**

(21) Appl. No.: **29/460,016**

(22) Filed: **Jul. 6, 2013**

(30) **Foreign Application Priority Data**

Jan. 8, 2013 (SG) ..... D2013/21/G

(51) **LOC (10) Cl.** ..... **14-01**

(52) **U.S. Cl.**  
USPC ..... **D14/205**

(58) **Field of Classification Search**  
CPC ..... H04R 5/033; H04R 1/1066; H04S 1/005  
USPC ..... D14/205; D29/112; 2/209; 181/129,  
181/130, 135; 379/430, 431; 381/370, 374,  
381/380, 381; 455/90.3, 575.1  
See application file for complete search history.

(56) **References Cited**

**U.S. PATENT DOCUMENTS**

D347,845 S \* 6/1994 Sumikawa ..... D14/205  
D457,874 S \* 5/2002 Yoneda ..... D14/205

D508,483 S \* 8/2005 Suzuki ..... D14/223  
D510,335 S \* 10/2005 Suzuki ..... D14/205  
D549,688 S \* 8/2007 Suzuki ..... D14/205  
D585,872 S \* 2/2009 Lee ..... D14/205  
D597,070 S \* 7/2009 Zheng ..... D14/205  
D600,674 S \* 9/2009 Brennwald ..... D14/205  
D637,579 S \* 5/2011 Hamaura et al. .... D14/205  
7,940,924 B2 \* 5/2011 Amae ..... 379/430  
D673,521 S \* 1/2013 Yoneyama et al. .... D14/205  
D673,522 S \* 1/2013 Iijima ..... D14/205  
D691,583 S \* 10/2013 Kitayama ..... D14/205  
D708,164 S \* 7/2014 Ishikura ..... D14/205

\* cited by examiner

*Primary Examiner* — Paula Greene

(74) *Attorney, Agent, or Firm* — Russell Swerdon; Desmond Gean

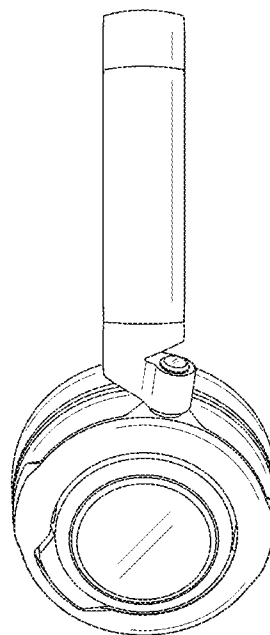
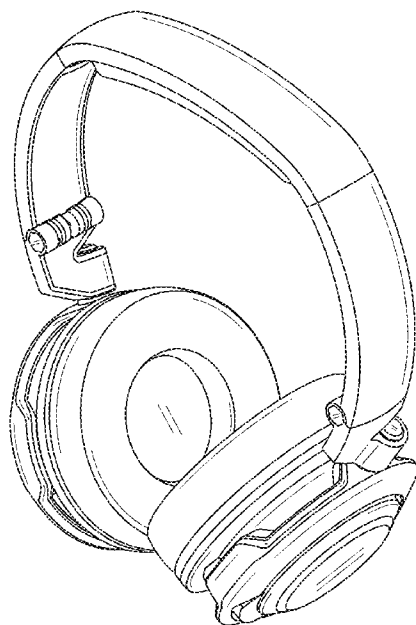
(57) **CLAIM**

The ornamental design for a headphone, substantially as shown and described.

**DESCRIPTION**

FIG. 1 is a front top right side perspective view of a headphone showing our new design;  
FIG. 2 is a rear top left side perspective view thereof;  
FIG. 3 is a front elevational view thereof;  
FIG. 4 is a rear elevational view thereof;  
FIG. 5 is a right side elevational view thereof;  
FIG. 6 is a left side elevational view thereof;  
FIG. 7 is a top plan view thereof; and,  
FIG. 8 is a bottom plan view thereof.  
The broken lines form no part of the claimed design.

**1 Claim, 8 Drawing Sheets**



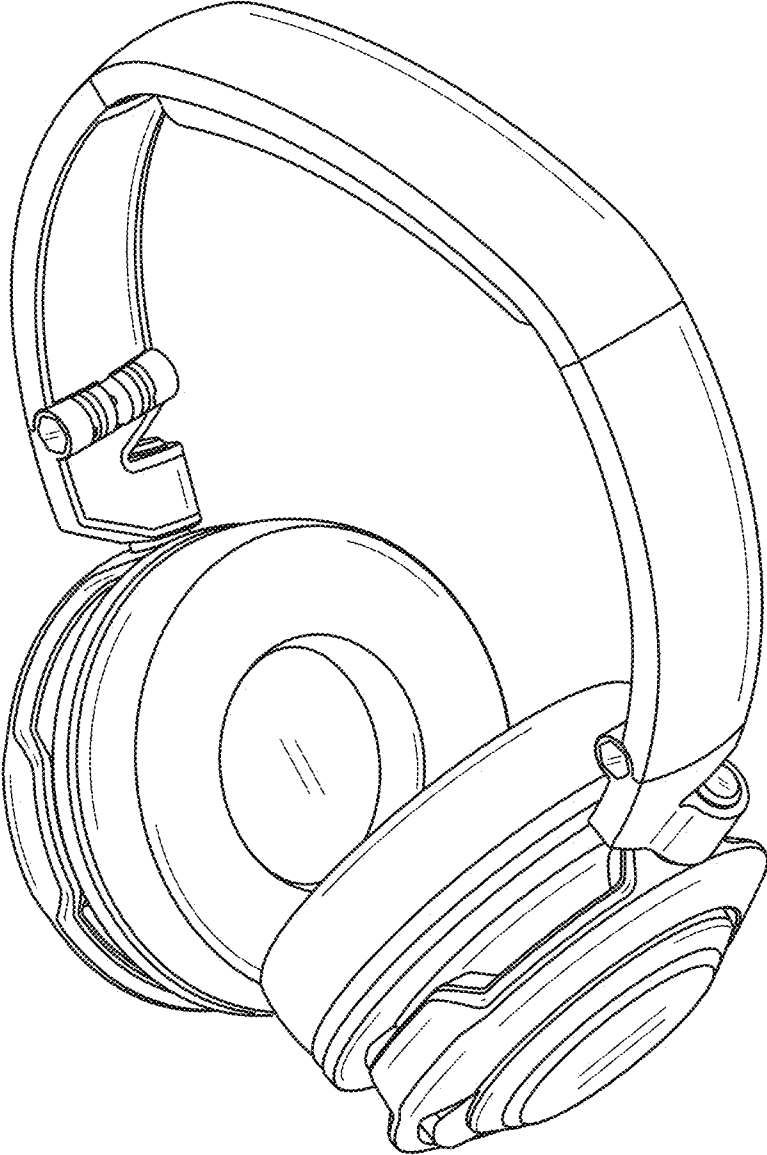


FIG. 1

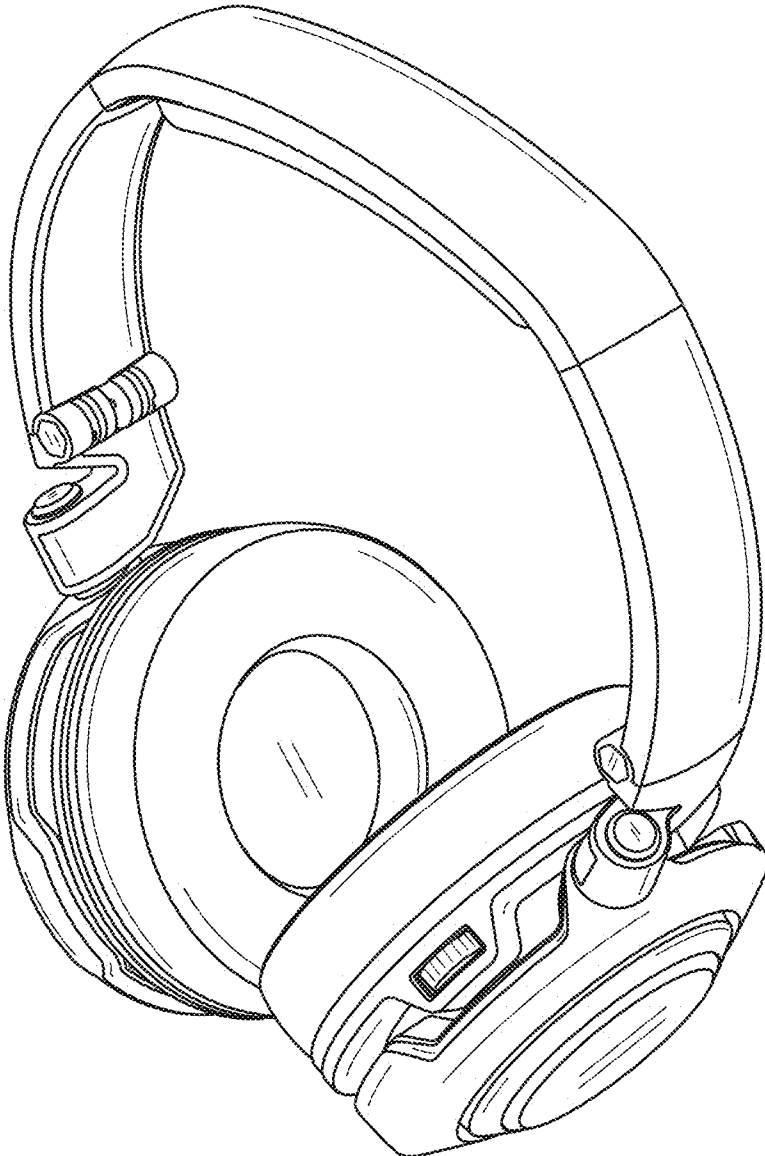


FIG. 2

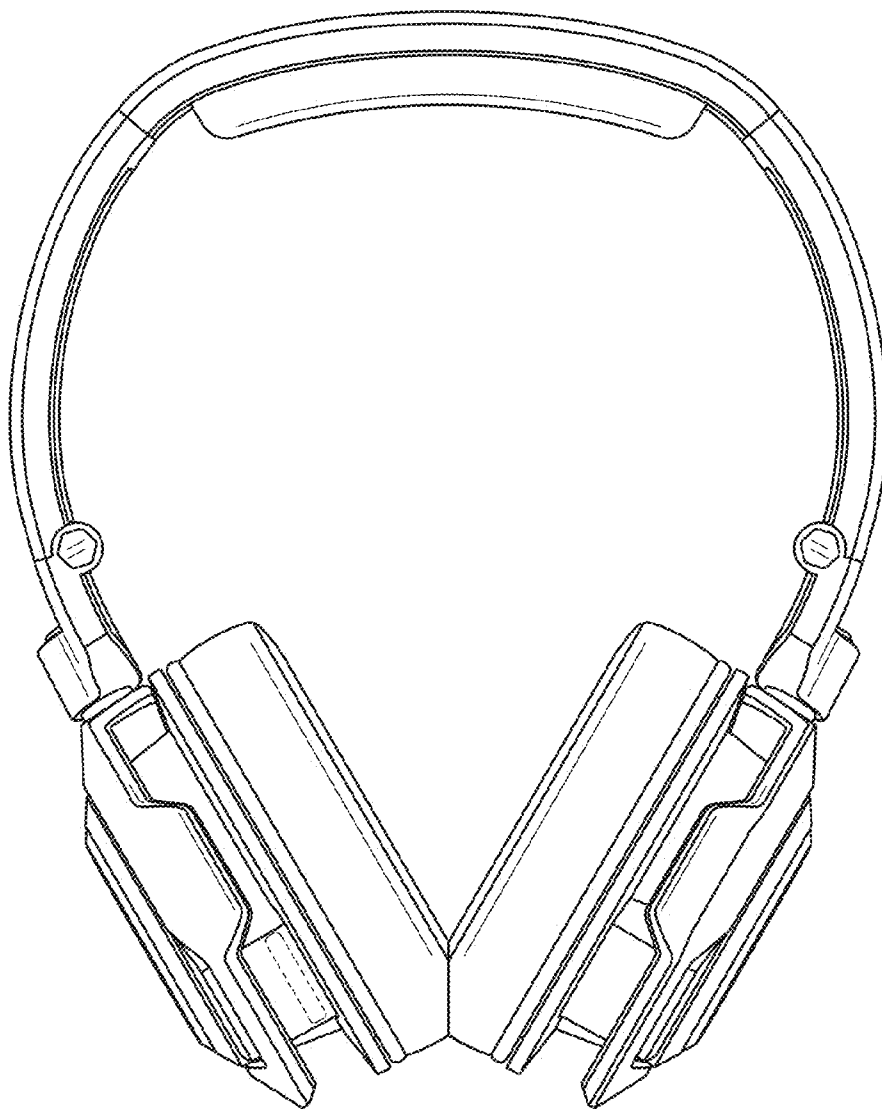


FIG. 3

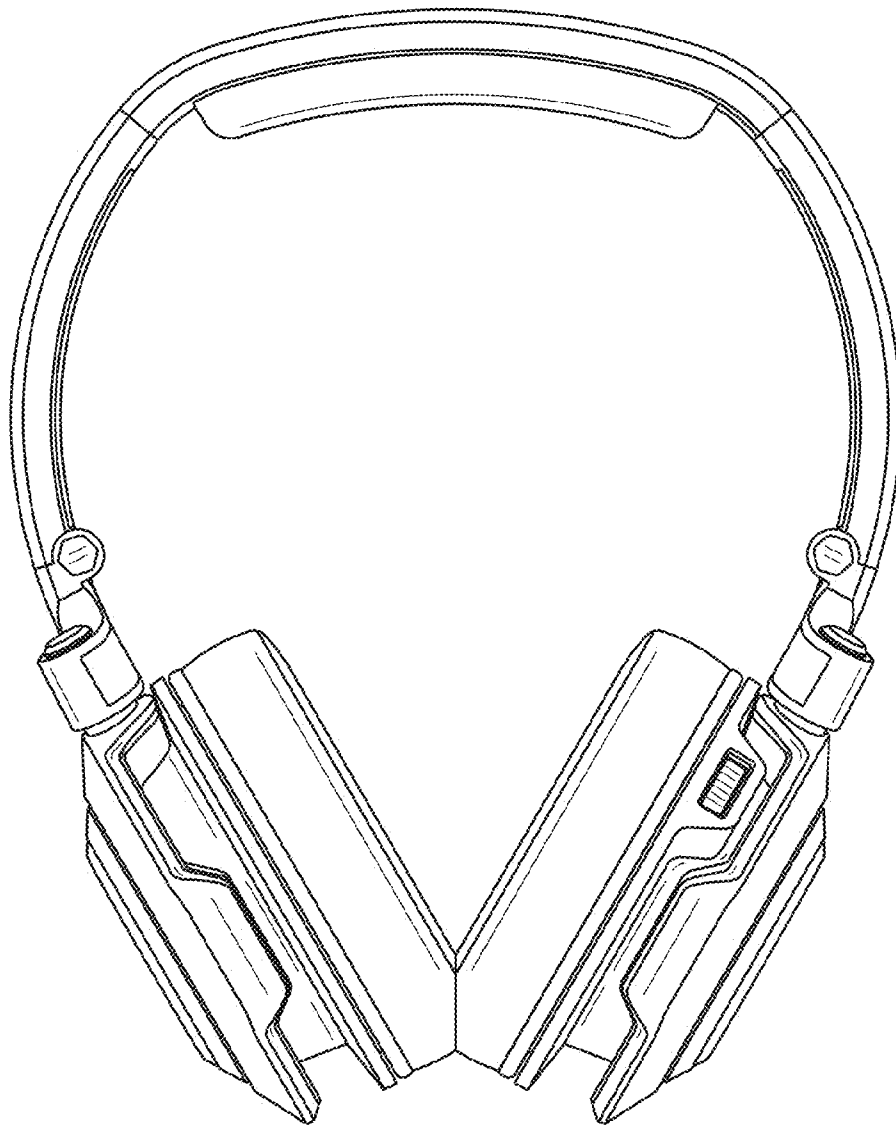


FIG. 4

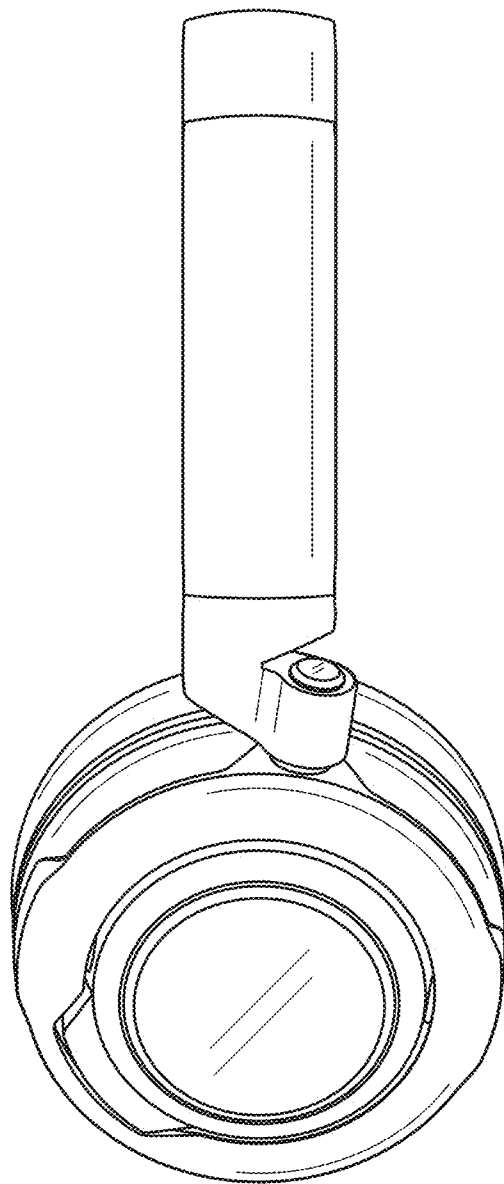


FIG. 5

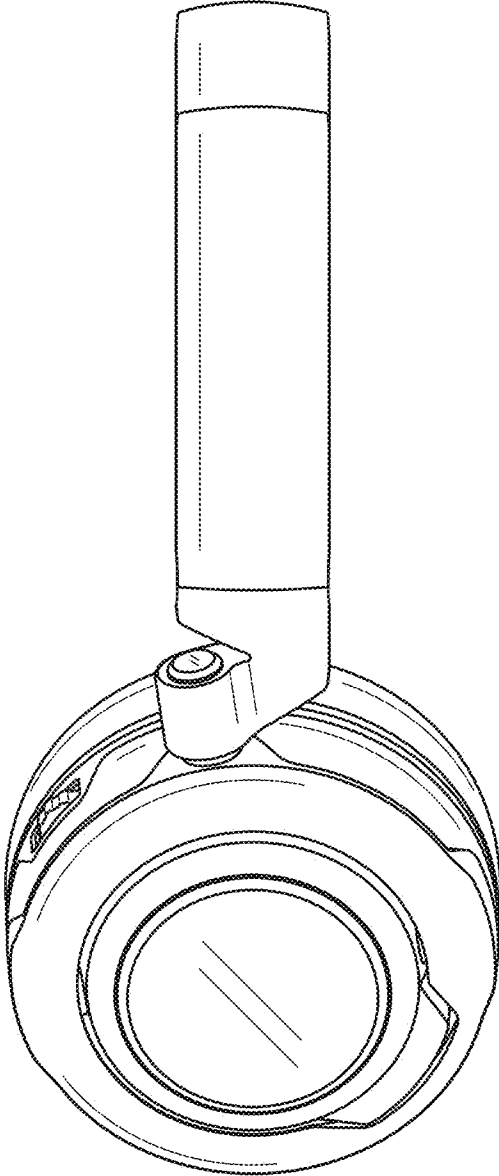


FIG. 6

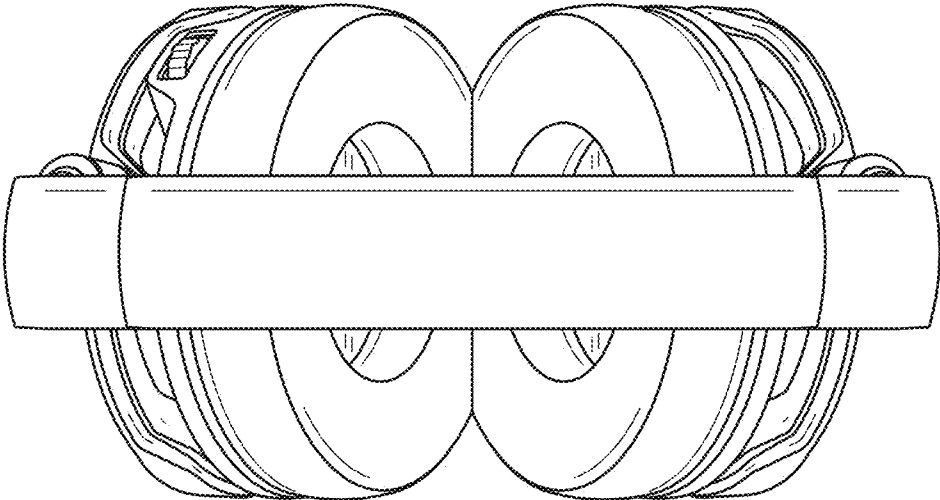


FIG. 7



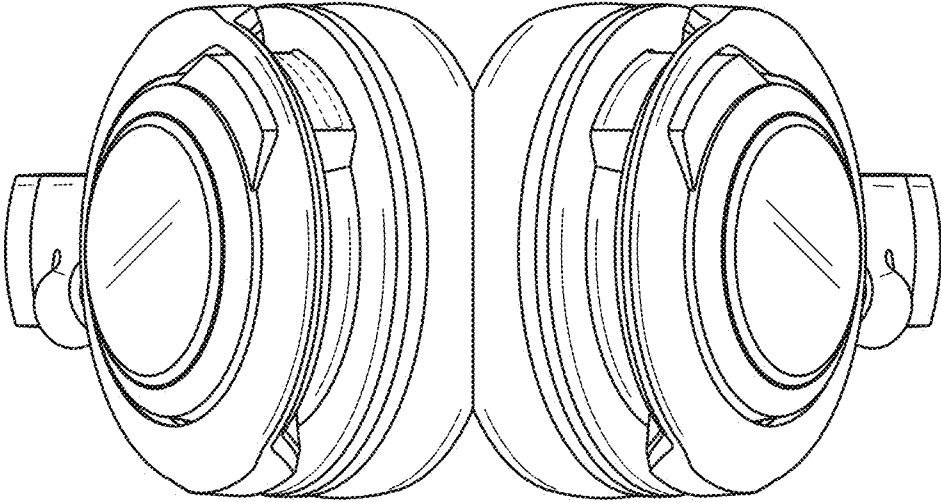


FIG. 8