



(12) **United States Design Patent**
Vaclavik et al.

(10) **Patent No.:** **US D899,405 S**
(45) **Date of Patent:** **** Oct. 20, 2020**

(54) **HEADPHONE**
(71) Applicant: **Harman International Industries, Incorporated**, Northridge, CA (US)
(72) Inventors: **Ondrej Vaclavik**, Shenzhen (CN); **Alexander Demin**, Shenzhen (CN)
(73) Assignee: **Harman International Industries, Incorporated**, Northridge, CA (US)
(**) Term: **15 Years**

Primary Examiner — Paula Allen Greene
(74) *Attorney, Agent, or Firm* — Plumsea Law Group, LLC

(21) Appl. No.: **29/675,537**
(22) Filed: **Jan. 3, 2019**
(51) **LOC (12) Cl.** **14-01**
(52) **U.S. Cl.**
USPC **D14/223**
(58) **Field of Classification Search**
USPC D14/223, 205; D24/174; 128/864, 865, 128/866; 181/129, 130, 135; 379/430,
(Continued)

(57) **CLAIM**
The ornamental design for a headphone, as shown and described.

(56) **References Cited**
U.S. PATENT DOCUMENTS
2,987,584 A * 6/1961 Webber H04R 25/652
381/323
3,047,089 A * 7/1962 Zwislocki A61F 11/08
181/135
(Continued)

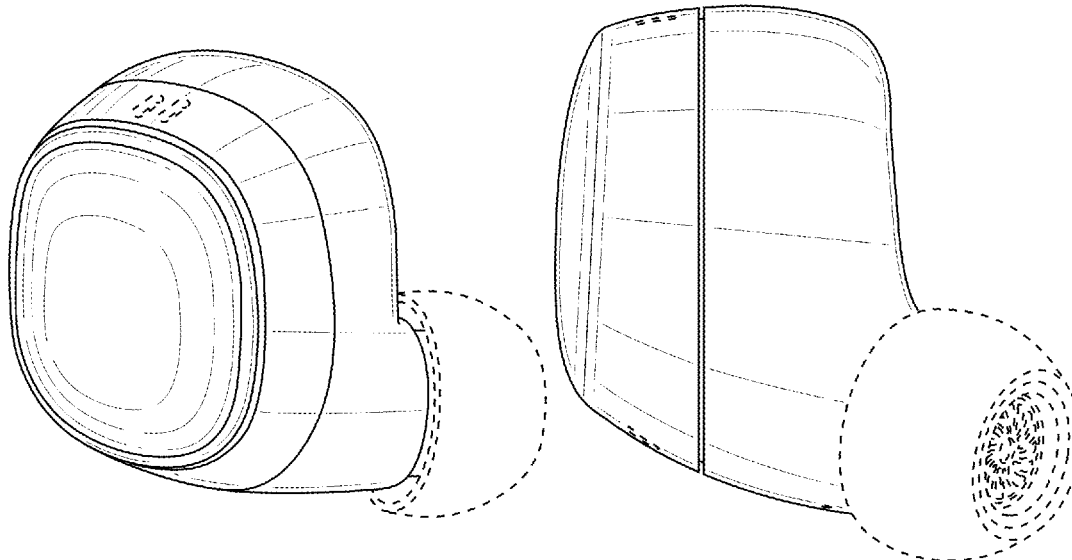
DESCRIPTION

FIG. 1 is a perspective view of a headphone showing the new design;
FIG. 2 is a front elevational view thereof;
FIG. 3 is a rear elevational view thereof;
FIG. 4 is a side elevational view thereof;
FIG. 5 is an opposite side elevational view thereof;
FIG. 6 is a top view thereof;
FIG. 7 is a bottom view thereof;
FIG. 8 is a rear elevational view illustrated without the enhancer tip;
FIG. 9 is a rear perspective view thereof;
FIG. 10 is a perspective view of the headphone shown in a second embodiment;
FIG. 11 is a front elevational view thereof;
FIG. 12 is a rear elevational view thereof;
FIG. 13 is a rear elevational view illustrated without the enhancer tip;
FIG. 14 is a side elevational view thereof;
FIG. 15 is an opposite side elevational view thereof;
FIG. 16 is a top view thereof;
FIG. 17 is a bottom view thereof; and
FIG. 18 is a rear perspective view thereof.
The broken lines immediately adjacent the shaded areas represent the bounds of the claimed design while all other broken lines are directed to environment and are for illustrative purposes only; the broken lines form no part of the claimed design.

FOREIGN PATENT DOCUMENTS
CA 157811 * 5/2015
CN 304651069 * 5/2018
(Continued)

OTHER PUBLICATIONS
Design U.S. Appl. No. 29/631,188, filed Dec. 28, 2017.
(Continued)

1 Claim, 18 Drawing Sheets



(58) **Field of Classification Search**
 USPC 379/431; 381/380, 381, 370, 374;
 455/90.3, 575.1, 569.1
 CPC H04R 1/10; H04R 1/1066; H04R 1/1016;
 H04R 5/033; H04R 5/0335; H04R 25/00;
 H04R 1/1091
 See application file for complete search history.

(56) **References Cited**

U.S. PATENT DOCUMENTS

4,133,984 A * 1/1979 Akiyama H04R 25/456
 181/135
 4,471,490 A * 9/1984 Bellafiore H04R 25/65
 29/460
 5,185,802 A * 2/1993 Stanton H04R 25/60
 181/129
 D397,796 S * 9/1998 Yabe D24/174
 D417,465 S * 12/1999 Kreitz D14/192
 D477,593 S * 7/2003 Komiyama D14/223
 D477,822 S * 7/2003 Komiyama D14/223
 D481,709 S * 11/2003 Solderits D14/223
 D505,411 S * 5/2005 Sakai D14/192
 D519,108 S * 4/2006 Yang D14/223
 D562,808 S * 2/2008 Gwee D14/223
 D584,284 S * 1/2009 Carr D14/206
 D588,111 S * 3/2009 Komiyama D14/223
 D603,380 S * 11/2009 Hutchieson D14/223
 D632,677 S * 2/2011 Brown D14/223
 D637,997 S * 5/2011 Peller D14/205
 D637,999 S * 5/2011 Brunner D14/205
 D641,010 S * 7/2011 Kwon D14/223
 D652,817 S * 1/2012 Lee D14/205
 D652,822 S * 1/2012 Lee D14/223
 D654,056 S * 2/2012 Hoggarth D14/205
 D660,292 S * 5/2012 Rautiainen D14/223
 D666,581 S * 9/2012 Perez D14/223
 D685,764 S * 7/2013 Coulter D14/205
 D699,226 S * 2/2014 Yoon D14/206
 D711,356 S * 8/2014 Yang D14/223
 D719,139 S * 12/2014 Henry D14/223
 D719,550 S * 12/2014 Yang D14/223
 D725,082 S * 3/2015 Palmborg D14/223
 8,983,103 B2 * 3/2015 Vlach G10K 11/22
 381/328
 D726,145 S * 4/2015 Hsieh D14/205
 D727,871 S * 4/2015 Orbach D14/205
 D728,107 S * 4/2015 Torres Martin D24/174
 D733,101 S * 6/2015 Pi D14/223
 D733,102 S * 6/2015 Palmborg D14/223
 D733,103 S * 6/2015 Jeong D14/224
 D735,169 S * 7/2015 Shieh D14/223
 D742,861 S * 11/2015 Miyake D14/223
 D764,445 S * 8/2016 Czaniecki D14/223
 D773,032 S * 11/2016 Palmborg D24/106

D773,439 S * 12/2016 Walker D14/205
 D777,710 S * 1/2017 Palmborg D14/223
 D778,267 S * 2/2017 Hsieh D14/223
 D781,269 S * 3/2017 Choe D14/223
 D782,997 S * 4/2017 Shin D14/205
 D782,998 S * 4/2017 Shin D14/205
 D788,079 S * 5/2017 Son D14/223
 D795,225 S * 8/2017 Sumii D14/223
 D798,843 S * 10/2017 Valenzuela D14/223
 D800,097 S * 10/2017 Chen D14/223
 D806,879 S * 1/2018 Horbinski D24/174
 D810,054 S * 2/2018 Yuan D14/223
 D812,042 S * 3/2018 Xiao D14/223
 D813,206 S * 3/2018 Tang D14/223
 D817,309 S * 5/2018 Czaniecki D14/223
 D818,990 S * 5/2018 Tzeng D14/205
 D833,420 S 11/2018 Lindenberger
 D843,353 S * 3/2019 Zhang D14/223
 D845,932 S * 4/2019 Lu D14/223
 D846,532 S * 4/2019 Xiao D14/223
 D847,126 S * 4/2019 Loermann D14/223
 D852,782 S * 7/2019 Bergman D14/223
 D858,489 S * 9/2019 Hu D14/223
 D862,424 S * 10/2019 You D14/223
 D863,263 S * 10/2019 Yu D14/223
 D863,268 S * 10/2019 Archer D14/230
 D864,167 S * 10/2019 Wu D14/223
 D868,752 S * 12/2019 Zhu D14/223
 D870,707 S * 12/2019 Yang D14/223
 D875,714 S * 2/2020 Kim D14/205
 2011/0155147 A1 * 6/2011 McIntosh A61F 11/08
 128/864
 2012/0114160 A1 * 5/2012 Lin H04R 1/1091
 381/380
 2017/0026738 A1 * 1/2017 Tang H04R 1/1058
 2017/0366233 A1 * 12/2017 Hviid H04B 5/02
 2018/0035193 A1 * 2/2018 Tsubone H04R 1/10

FOREIGN PATENT DOCUMENTS

CN 305053654 * 3/2019
 CN 305485217 * 12/2019
 EM 004556629-0001 * 12/2017
 EM 006148557-0001 * 2/2019
 EM 006523809-0001 * 5/2019
 EM 001474134-0001 * 9/2019
 EM 006810230-0001 * 9/2019
 EM 007341722-0002 * 12/2019
 IN 237336 4/2012

OTHER PUBLICATIONS

Design U.S. Appl. No. 29/661,340, filed Aug. 27, 2018.
 JBL Free Truly Wireless In-Ear Headphones Specification Sheet
 dated 2017.

* cited by examiner

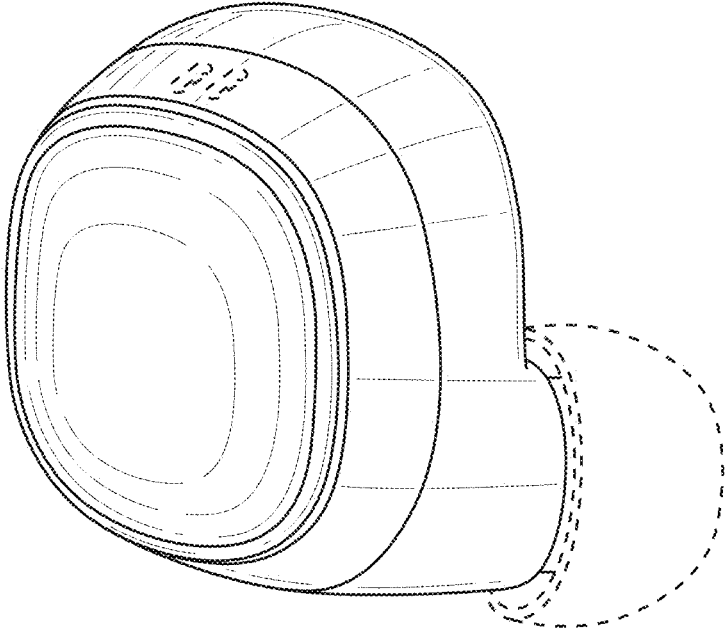


FIG. 1

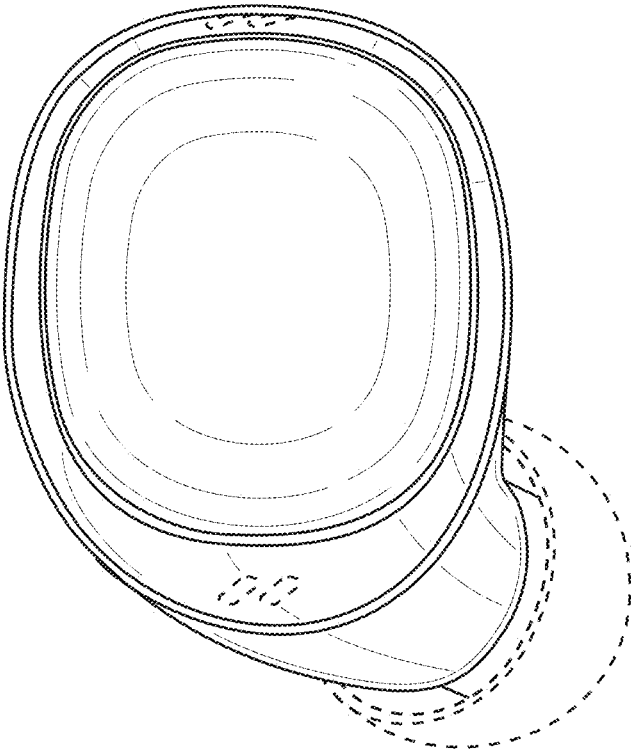


FIG. 2

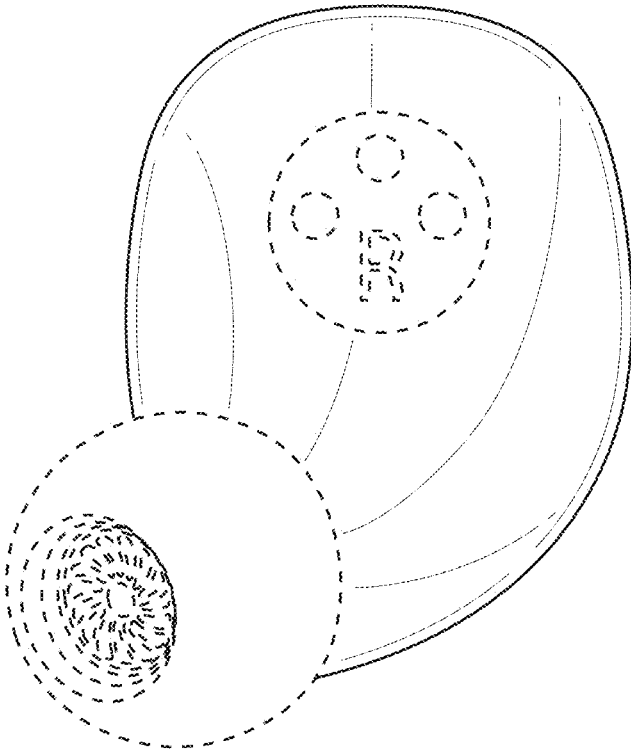


FIG. 3

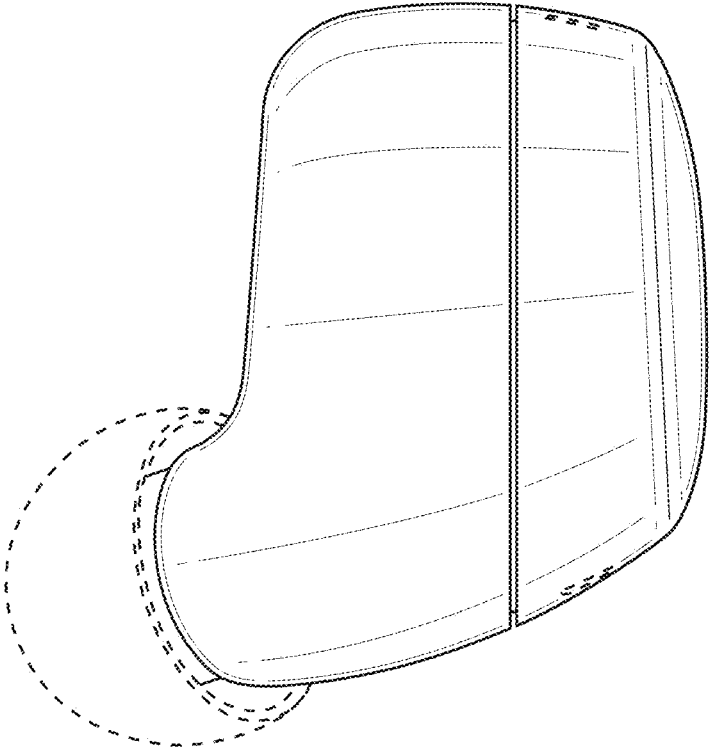


FIG. 4

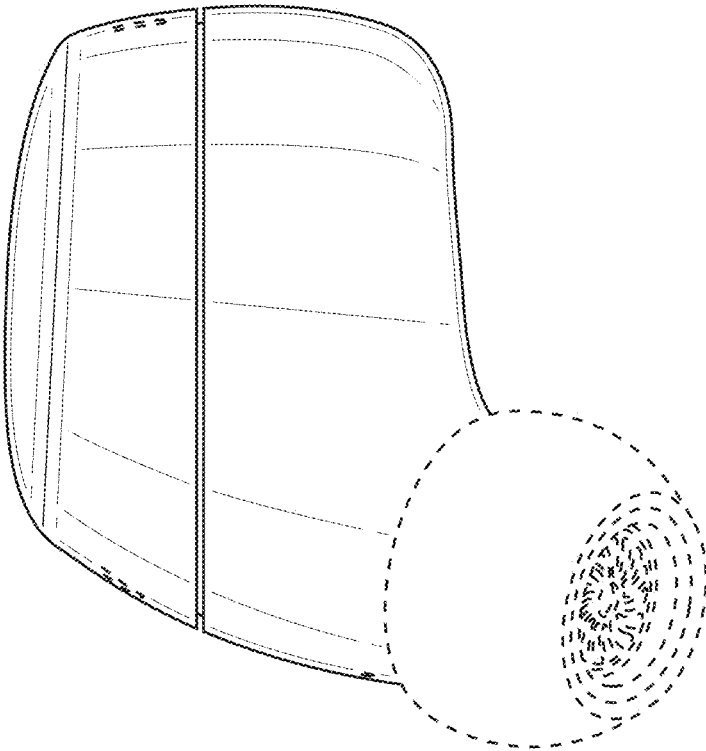


FIG. 5

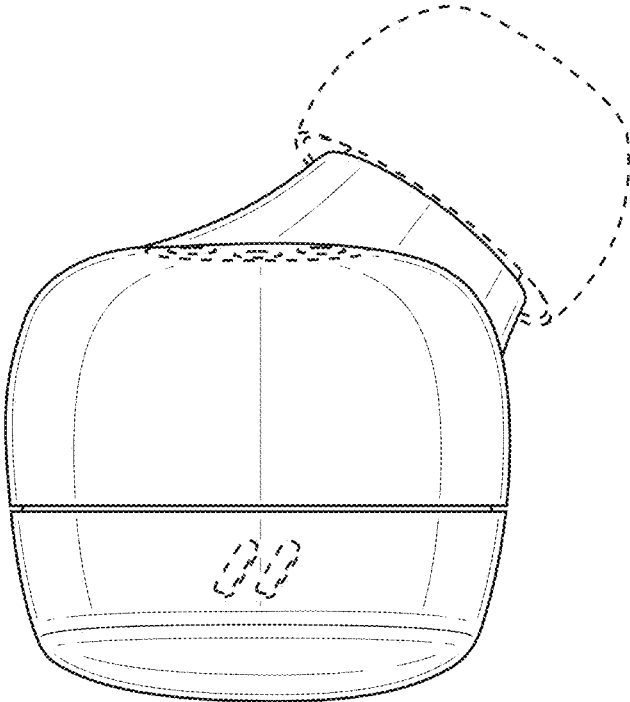


FIG. 6

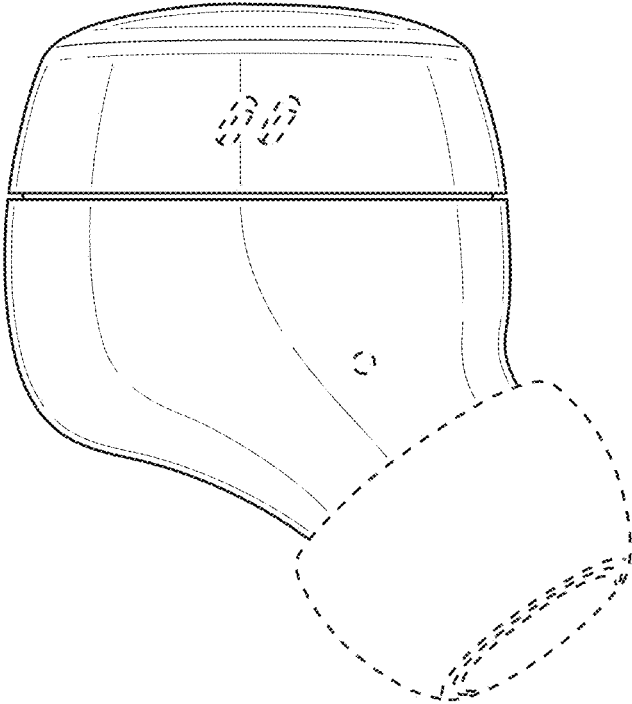


FIG. 7

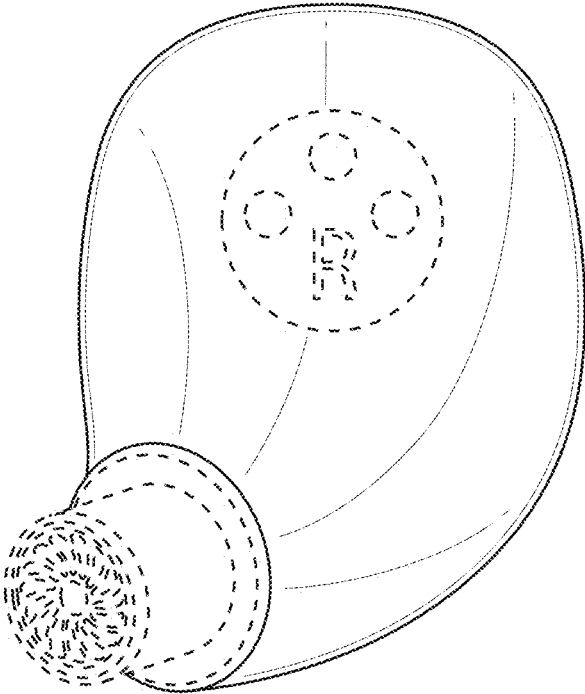


FIG. 8

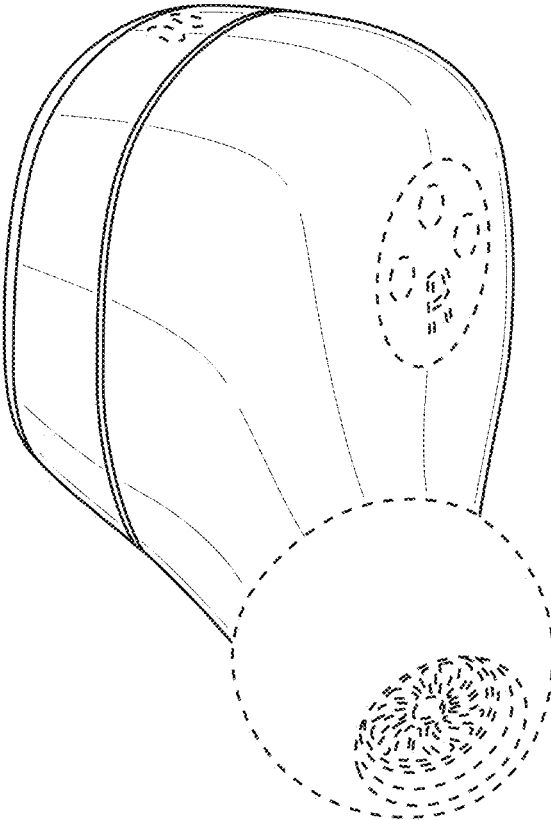


FIG. 9

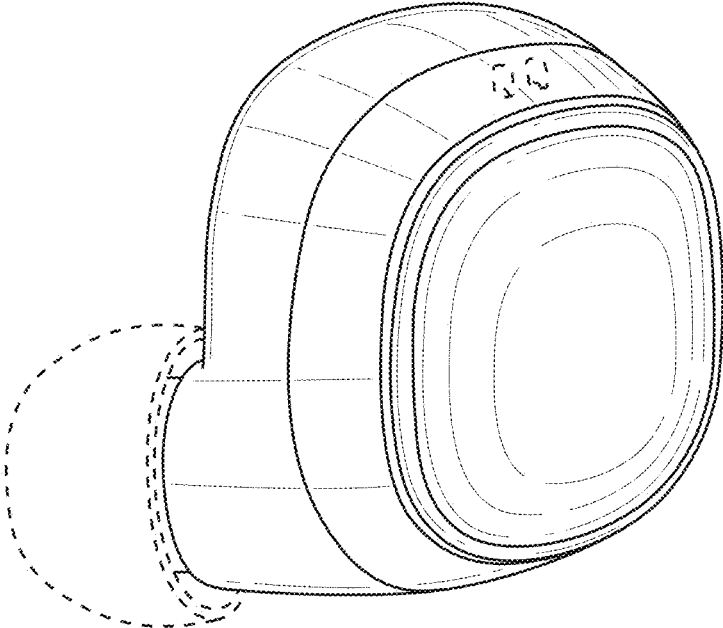


FIG. 10

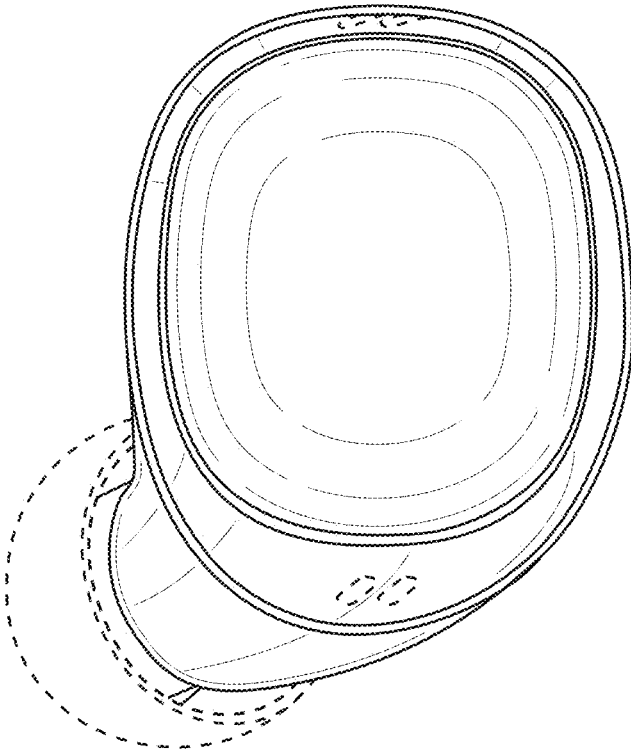


FIG. 11

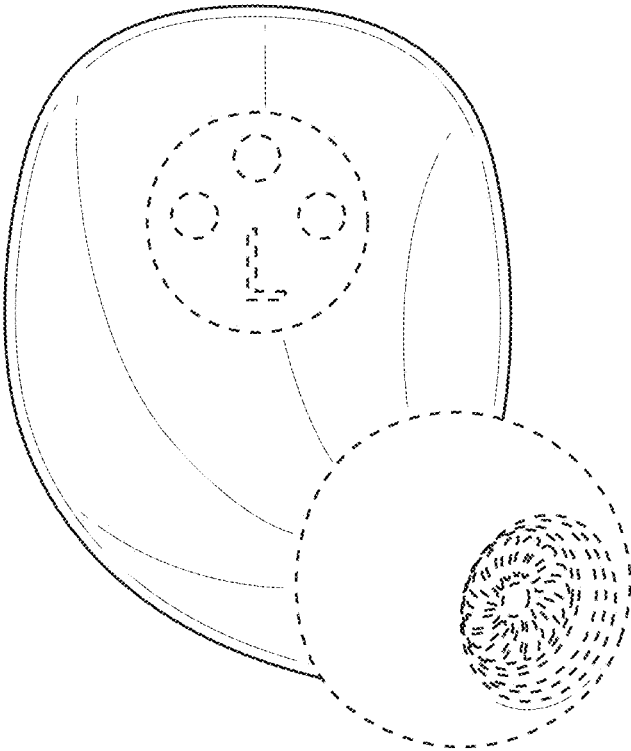


FIG. 12

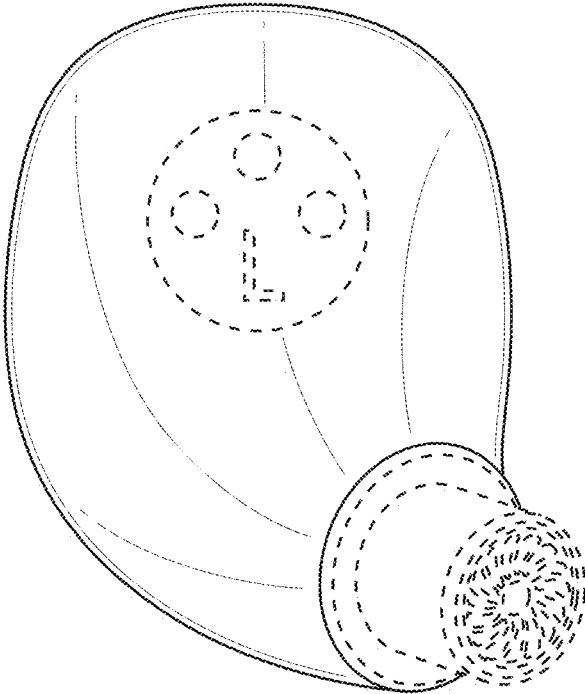


FIG. 13

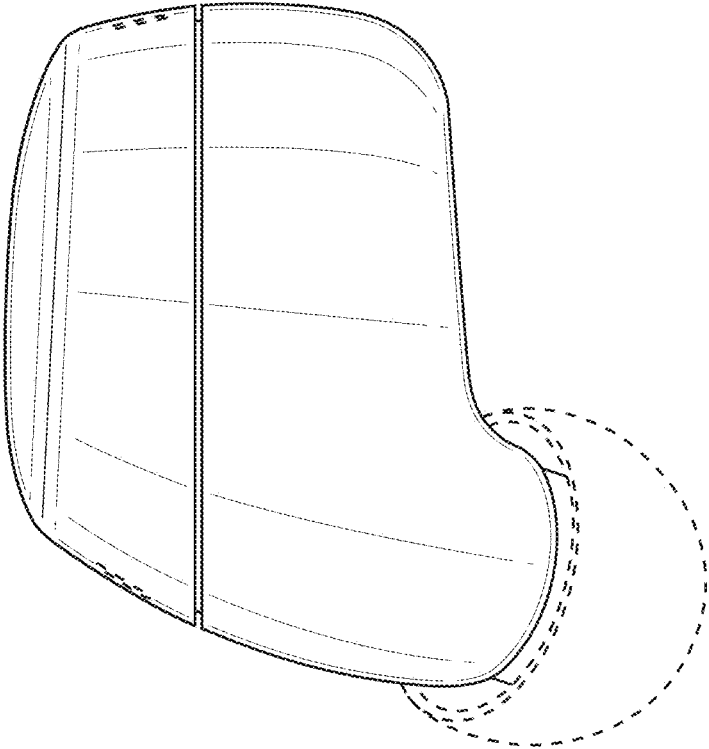


FIG. 14

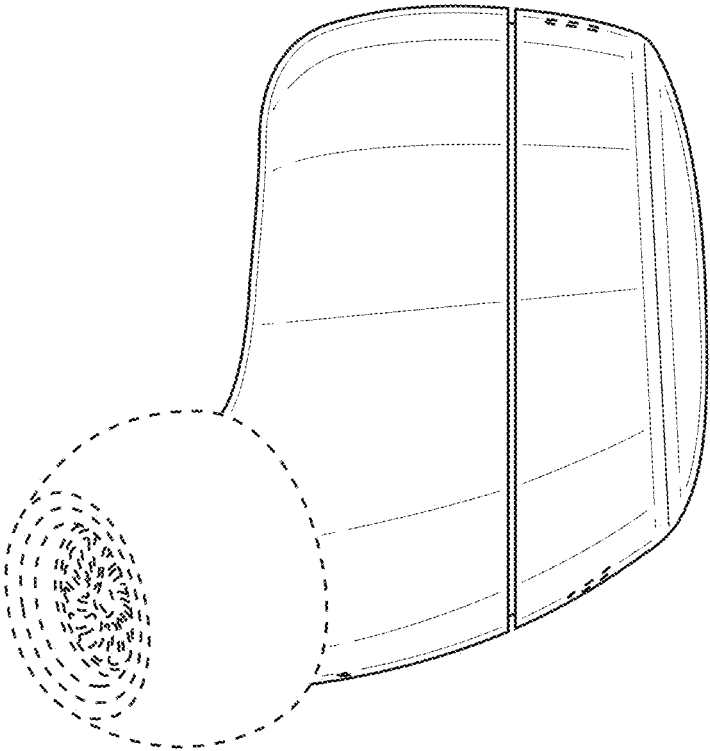


FIG. 15

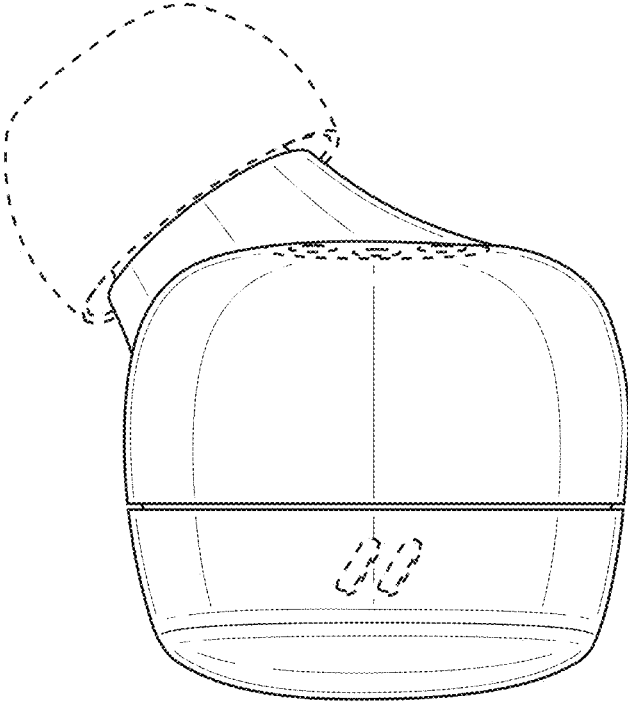


FIG. 16

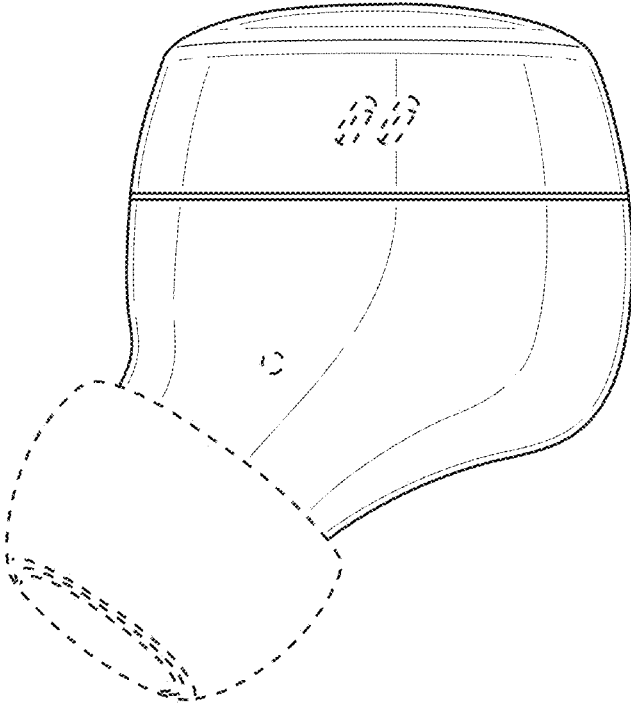


FIG. 17

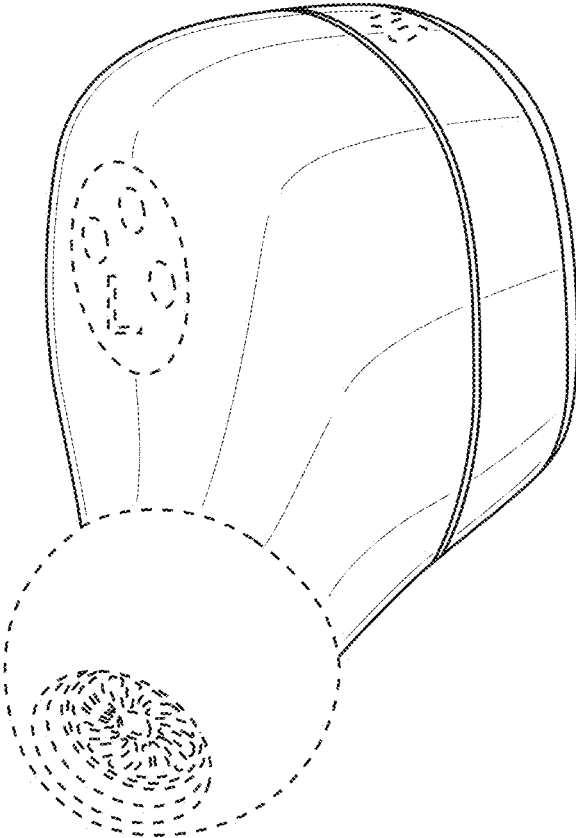


FIG. 18