



US0D1047636S

(12) **United States Design Patent**
Uhri et al.

(10) **Patent No.:** **US D1,047,636 S**

(45) **Date of Patent:** **** Oct. 22, 2024**

(54) **SAW BLADE**

FOREIGN PATENT DOCUMENTS

(71) Applicant: **DePuy Synthes Products, Inc.**,
Raynham, MA (US)

CN 302696268 * 12/2013
CN 307704055 * 12/2022

(Continued)

(72) Inventors: **Patrick Uhri**, Reigoldswil (CH); **Stefan Gisler**, Wallbach (CH); **Rolf Schlienger**, Rheinfelden (CH); **Markus Hermann**, Laupersdorf (CH); **Matthias Singeisen**, Itingen (CH); **David Narducci**, Jupiter, FL (US)

OTHER PUBLICATIONS

“Stryker sag saw blade” Feb. 9, 2018, YouTube, site visited Jul. 16, 2024: <https://www.youtube.com/watch?v=2vvfqWQqcmo> (Year: 2018).*

(Continued)

(73) Assignee: **DePuy Synthes Products, Inc.**,
Raynham, MA (US)

Primary Examiner — Jack Reickel

Assistant Examiner — Sydney M Evans

(74) *Attorney, Agent, or Firm* — Mintz Levin Cohn Ferris Glovsky and Popeo, P.C.

(**) Term: **15 Years**

(21) Appl. No.: **29/872,523**

(22) Filed: **Mar. 14, 2023**

(51) **LOC (14) Cl.** **08-03**

(52) **U.S. Cl.**
USPC **D8/20; D24/146**

(58) **Field of Classification Search**
USPC ... D8/20, 16, 19, 61, 64, 70, 90, 92, 94, 98;
D24/146, 144
CPC A61B 17/142; A61B 17/144; B23D 51/00;
B23D 51/10; B23D 61/006; B23D
61/021; B23D 61/025; B23D 61/121;
B23D 61/123; B23D 61/126; B27B
19/006; B27B 19/008
See application file for complete search history.

(57) **CLAIM**

The ornamental design for a saw blade, as shown and described.

DESCRIPTION

FIG. 1 is a top front perspective view of a saw blade showing our new design;
FIG. 2 is a bottom back perspective view of the saw blade of FIG. 1;
FIG. 3 is a top view of the saw blade of FIG. 1;
FIG. 4 is a bottom view of the saw blade of FIG. 1;
FIG. 5 is a right view of the saw blade of FIG. 1, the left view being a mirror image thereof;
FIG. 6 is a front view of the saw blade of FIG. 1; and,
FIG. 7 is a back view of the saw blade of FIG. 1.
The dash-dash broken lines illustrate portions of the saw blade that form no part of the claimed design.
The dash-dot lines illustrate boundary lines of the saw blade that form no part of the claimed design.

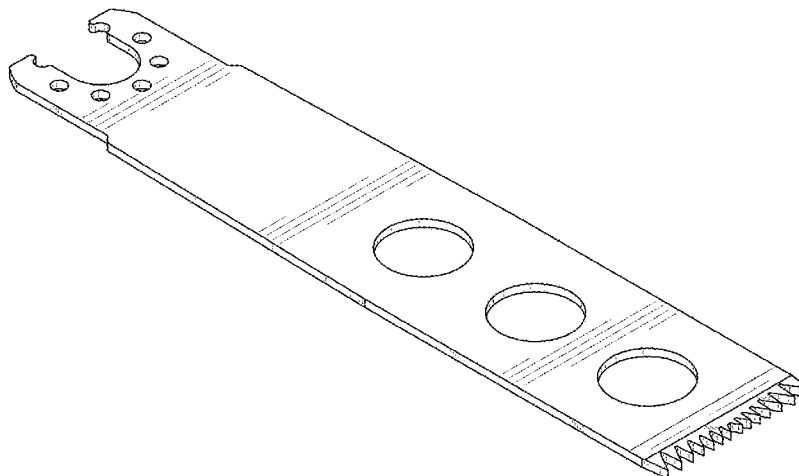
(56) **References Cited**

U.S. PATENT DOCUMENTS

5,382,249 A * 1/1995 Fletcher B23D 61/121
606/178
5,507,763 A * 4/1996 Petersen A61B 17/142
606/176
D406,023 S * 2/1999 Okada D8/20
D406,223 S * 3/1999 Tran D8/70
6,022,353 A * 2/2000 Fletcher A61B 17/142
606/82

(Continued)

1 Claim, 5 Drawing Sheets



(56)

References Cited

U.S. PATENT DOCUMENTS

D448,634 S * 10/2001 Hickman B23D 61/126
D8/20
D525,707 S * 7/2006 Kullmer D24/146
7,744,616 B2 * 6/2010 O'Donoghue A61B 17/142
606/177
D686,049 S * 7/2013 Ji D8/20
D686,470 S * 7/2013 Ji D8/20
D706,099 S * 6/2014 Neitzell D8/20
D742,002 S * 10/2015 Fisher D24/146
D862,185 S * 10/2019 Dai D8/20
D955,834 S * 6/2022 Haight D8/20
2002/0116023 A1 * 8/2002 Fletcher B23D 51/10
606/176
2003/0014067 A1 * 1/2003 Kullmer B23D 61/006
606/178
2003/0199880 A1 * 10/2003 Meckel A61B 17/142
606/82
2004/0098000 A1 * 5/2004 Kleinwaechter B23D 61/123
D24/146
2004/0199167 A1 * 10/2004 Fletcher B23D 61/006
606/82
2007/0119055 A1 * 5/2007 Walen A61B 34/20
606/82
2014/0163558 A1 * 6/2014 Cosgrove A61B 17/142
606/82
2019/0290289 A1 * 9/2019 Schmuckli B27B 19/006
2020/0001494 A1 1/2020 Gisler et al.
2021/0113215 A1 * 4/2021 Gisler A61B 17/1637
2021/0353303 A1 11/2021 Gayle
2023/0013089 A1 1/2023 Gisler
2023/0082586 A1 * 3/2023 Lindemann B23D 61/006
606/82
2023/0263534 A1 * 8/2023 Kowall A61B 17/142
606/176

FOREIGN PATENT DOCUMENTS

EP 2647339 B1 4/2020
KR 300960755.0000 * 6/2018
KR 300987942.0000 * 1/2019

OTHER PUBLICATIONS

“6-Inch 14TPI Heavy Duty Metal Cutting Reciprocating Saw Blades” Nov. 12, 2018, Amazon, site visited Jul. 16, 2024: <https://www.amazon.com/dp/B07DPPSL4Y> (Year: 2018).
“Large Bone Saw Blades Stryker Replacements” 2021, Brasseler USA Medical, site visited Jul. 16, 2024: https://brasselerusamedical.com/wp-content/uploads/sites/8/2022/07/BM_5513_Stryker-Large-Bone-Saw-Blade-Brochure.pdf (Year: 2021).
“10Pcs Titanium Multitool Blades” Nov. 19, 2022, Amazon, site visited Jul. 16, 2024: <https://www.amazon.com/Titanium-Oscillating-Multitool-Material-Milwaukee/dp/B0BMXKV6L6> (Year: 2022).
“Electric Bone Cutting Oscillating Saw” Dec. 30, 2022, Amazon, site visited Jul. 16, 2024: <https://www.amazon.com/Electric-Oscillating-Orthopedic-Veterinary-Instrument/dp/B0BRCSR8TF> (Year: 2022).
U.S. Appl. No. 29/872,520, filed Mar. 14, 2023, Saw Blade.
U.S. Appl. No. 18/183,715, filed Mar. 14, 2023, Powered Surgical Tool With an Oscillating Saw Blade.
International Search Report and Written Opinion received for PCT/IB2024/052117, mailed on Jun. 5, 2024, 17 pages.
Depuy Synthes, “Battery Power Line II Instructions for Use”, 2015, 88 pages.
Depuy Synthes, “Battery Power Line II User’s Manual”, May 2021, 84 pages.
Depuy Synthes, “Saw Blades”, <https://www.jnjmedtech.com/en-US/products/power-tools/saw-blades>, 2023, 10 pages.
Komet Medical, “Powered Instruments Catalog”, Jan. 2023, 185 pages.

* cited by examiner

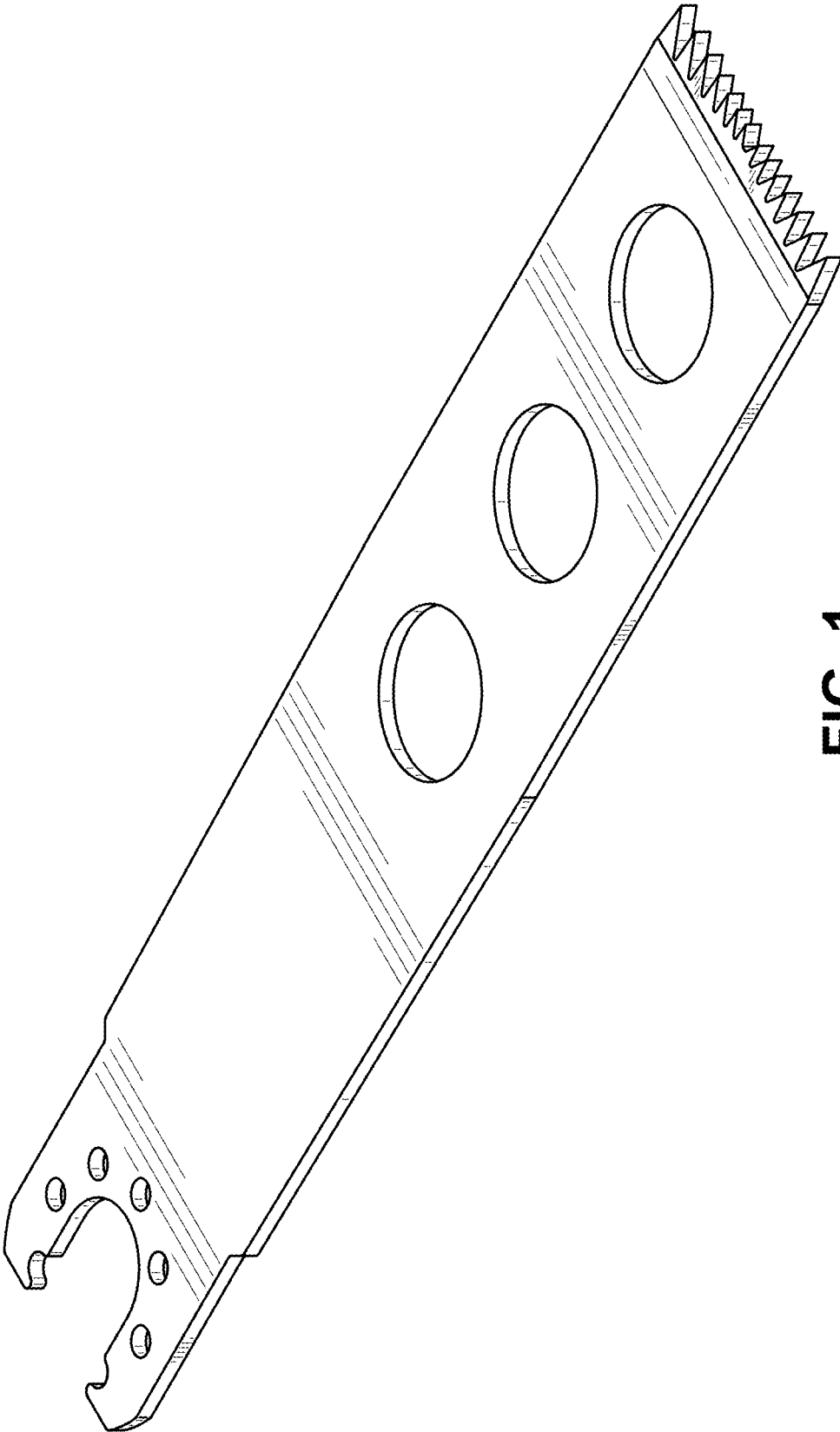


FIG. 1

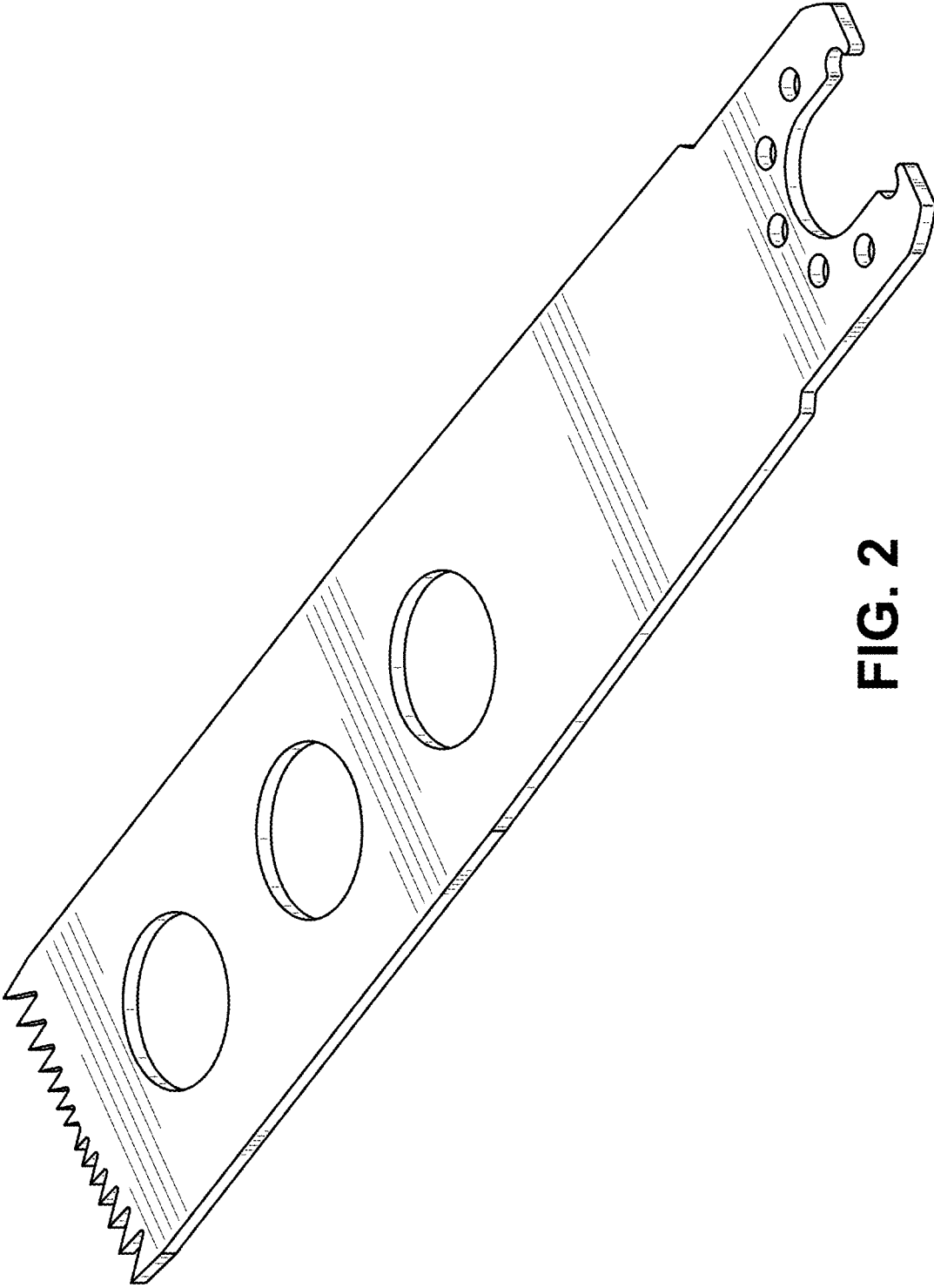


FIG. 2

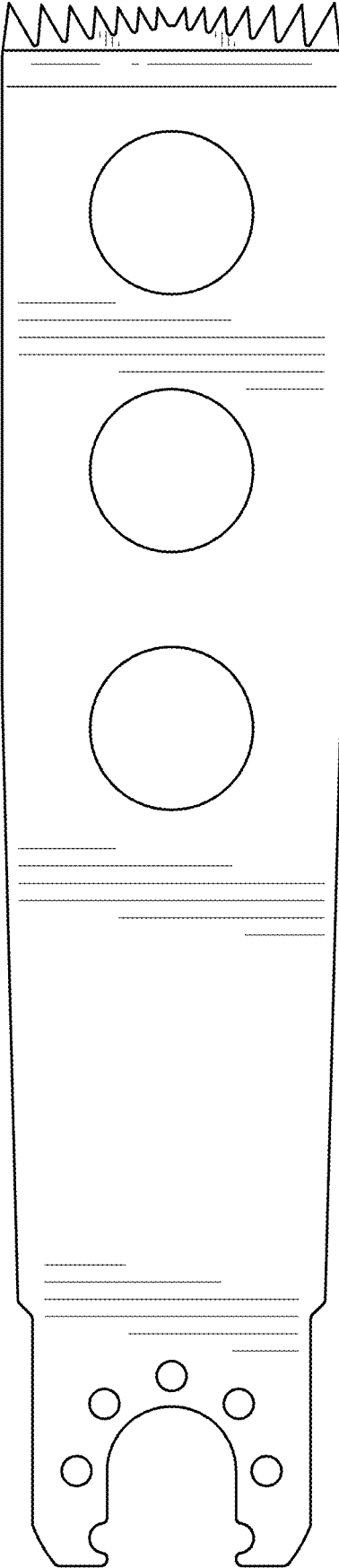


FIG. 3

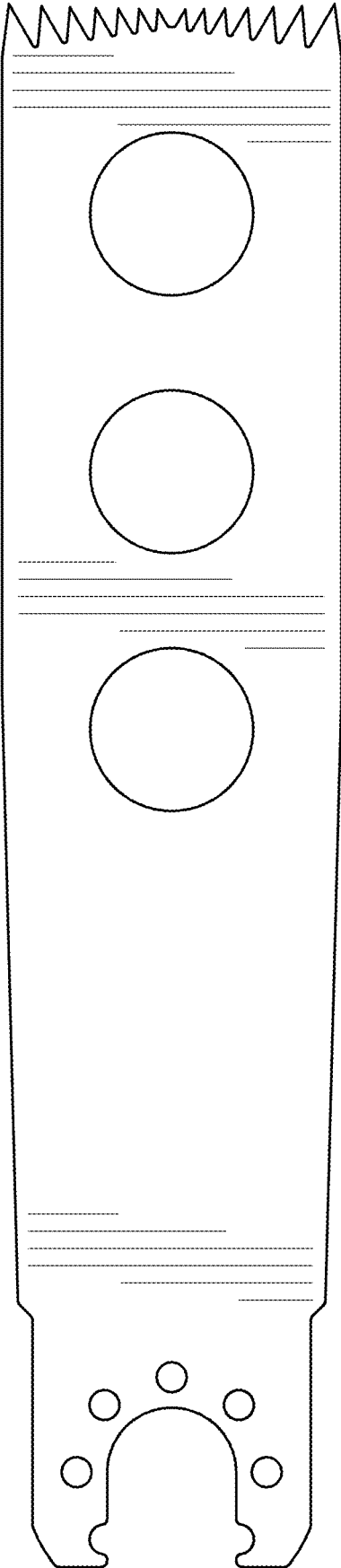


FIG. 4



FIG. 5



FIG. 6



FIG. 7