

[54] HANGER

[75] Inventor: Allen R. Beloe, Ryde, Australia

[73] Assignee: Antipex Pty Limited, Erskinville, Australia

[**] Term: 14 Years

[21] Appl. No.: 420,228

[22] Filed: Oct. 12, 1989

[30] Foreign Application Priority Data

Apr. 12, 1989 [AU] Australia 1139/89

[52] U.S. Cl. D6/317

[58] Field of Search D6/315, 317; 223/85, 223/DIG. 1; 211/113, 119

[56] References Cited

U.S. PATENT DOCUMENTS

D. 229,914 1/1974 Lindemann D6/315

D. 243,055	1/1977	Blumberg	D6/315
1,734,237	11/1929	Soloff	211/113
2,058,217	10/1936	Dixon	211/119
2,196,663	4/1940	Isele	211/119
2,601,926	7/1952	Speaker et al.	211/113

FOREIGN PATENT DOCUMENTS

WO88/05277 7/1988 PCT Int'l Appl. 223/DIG. 1

Primary Examiner—B. J. Bullock

[57] CLAIM

The ornamental design for a hanger, as shown.

DESCRIPTION

FIG. 1 is a front elevational view of a hanger showing my new design;

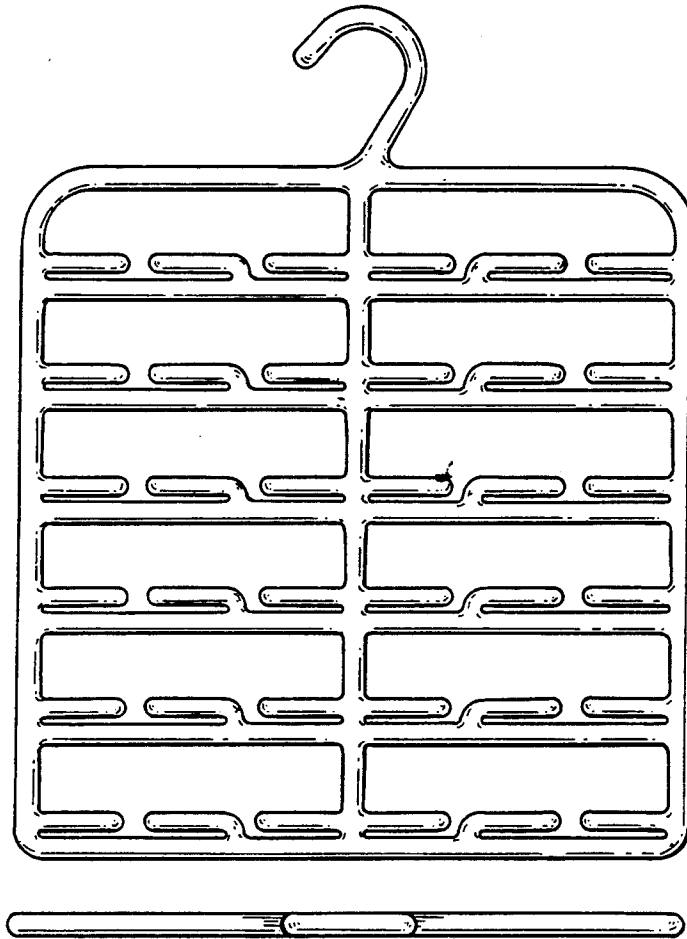
FIG. 2 is a rear elevational view thereof;

FIG. 3 is a left side elevational view thereof;

FIG. 4 is a right side elevational view thereof;

FIG. 5 is a bottom view thereof;

FIG. 6 is a plan view thereof.



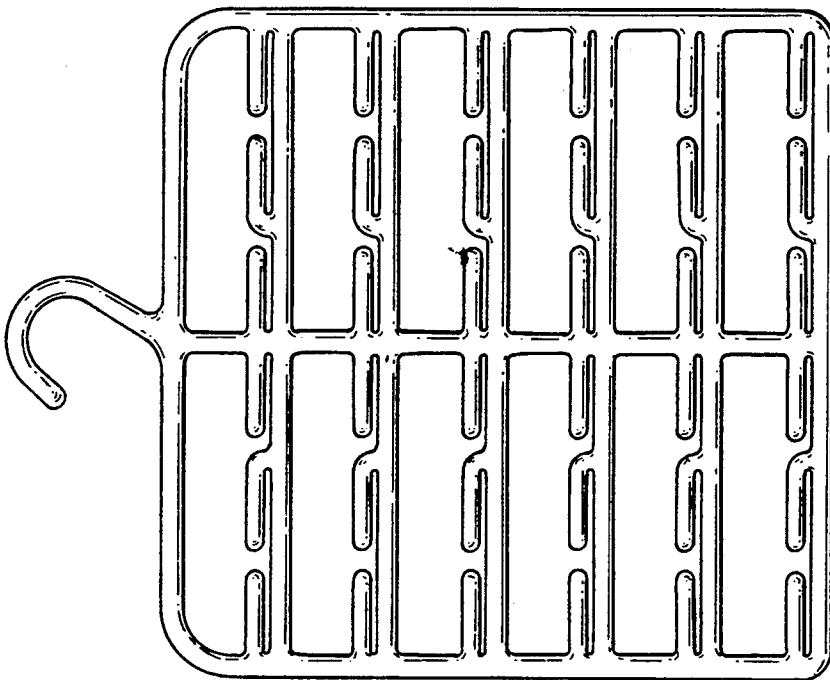


FIG. 1

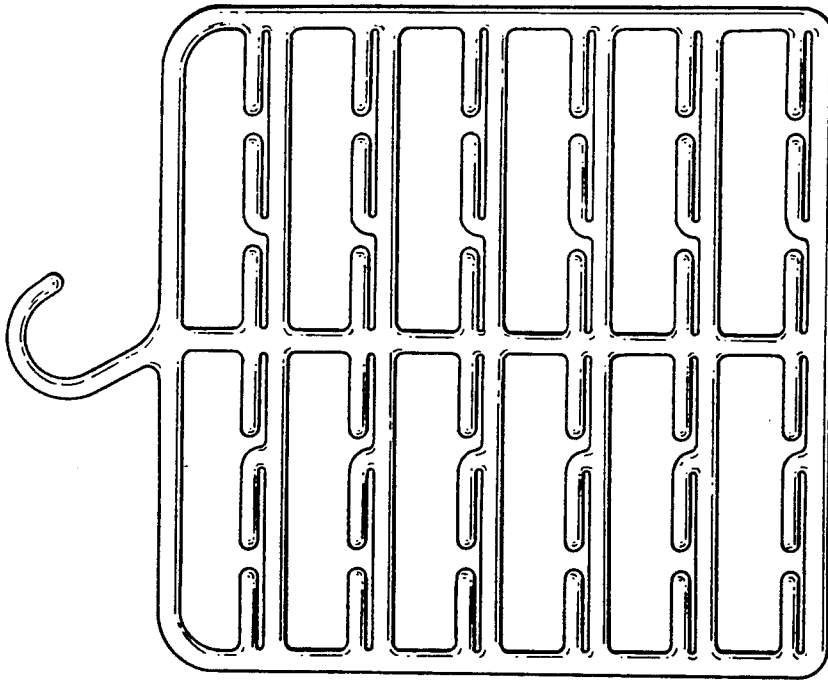


FIG. 2

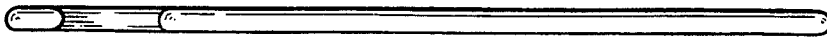


FIG. 3

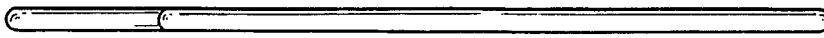


FIG. 4



FIG. 5



FIG. 6