



US00D915335S

(12) **United States Design Patent**
Lee et al.

(10) **Patent No.:** **US D915,335 S**
(45) **Date of Patent:** **** Apr. 6, 2021**

(54) **MOBILE PHONE**

D708,180 S * 7/2014 Lee D14/345
D716,751 S * 11/2014 Lee D14/138 AB
D769,209 S * 10/2016 Byun D14/138 AB

(Continued)

(71) Applicant: **LG Electronics Inc.**, Seoul (KR)

(72) Inventors: **Jonghak Lee**, Seoul (KR); **Kiyéal Seo**,
Seoul (KR); **Joungyoung Joung**, Seoul
(KR); **Jinwan Bae**, Seoul (KR)

OTHER PUBLICATIONS

Royole FlexPai—World’s First Foldable Tablet Announced, publi-
cation date Oct. 31, 2018, [online][site visited Aug. 21, 2020] URL:
<https://tabletmonkeys.com/royole-flexpai-worlds-the-first-foldable-tablet-announced/> (Year: 2018).*

(Continued)

(73) Assignee: **LG Electronics Inc.**, Seoul (KR)

(**) Term: **15 Years**

Primary Examiner — L. A. Grabenstetter

(21) Appl. No.: **35/507,937**

(74) *Attorney, Agent, or Firm* — Birch, Stewart, Kolasch
& Birch, LLP

(22) Filed: **May 27, 2019**

(80) **Hague Agreement Data**

Int. Filing Date: **May 27, 2019**
Int. Reg. No.: **DM/203666**
Int. Reg. Date: **May 27, 2019**
Int. Reg. Pub. Date: **Nov. 29, 2019**

(57) **CLAIM**

The ornamental design for a mobile phone, as shown and
described.

(30) **Foreign Application Priority Data**

Nov. 30, 2018 (KR) 30-2018-0056414

DESCRIPTION

1. Mobile phone

- 1.1 : Front Perspective View shown in a folded state
 - 1.2 Front View shown in a folded state
 - 1.3 Back View shown in a folded state
 - 1.4 Left View shown in a folded state
 - 1.5 Right View shown in a folded state
 - 1.6 Top View shown in a folded state
 - 1.7 Bottom View shown in a folded state
 - 1.8 Back Perspective View shown in a folded state
 - 1.9 Front Perspective View shown in a fully unfolded state
 - 1.10 Front View shown in a fully unfolded state
 - 1.11 Back View shown in a fully unfolded state
 - 1.12 Left View shown in a fully unfolded state
 - 1.13 Right View shown in a fully unfolded state
 - 1.14 Top View shown in a fully unfolded state
 - 1.15 Bottom View shown in a fully unfolded state
 - 1.16 Back Perspective View shown in a fully unfolded state
- The broken lines depict portions of the mobile phone that
form no part of the claimed design.

(51) **LOC (13) Cl.** **14-03**

(52) **U.S. Cl.**
USPC **D14/138 AD; D14/345**

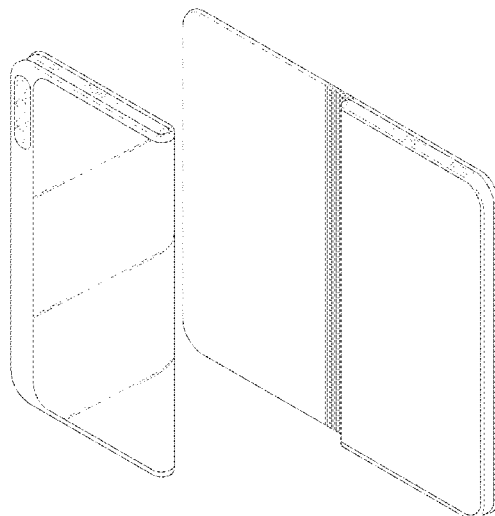
(58) **Field of Classification Search**
USPC D14/138, 138 C, 138 AA, 138 AD,
D14/138 G, 203.1, 203.3, 203.5, 203.7,
D14/248, 341, 345, 496; D21/329, 517
CPC . G06F 1/1626; H04M 1/0266; H04M 1/0202;
H04M 1/026
See application file for complete search history.

(56) **References Cited**

U.S. PATENT DOCUMENTS

D597,055 S * 7/2009 Ladouceur D14/138 AB
D681,000 S * 4/2013 Koh D14/203.4

1 Claim, 16 Drawing Sheets



(56)

References Cited

U.S. PATENT DOCUMENTS

D770,448	S *	11/2016	Endo	D14/371
D772,225	S *	11/2016	Kim	D14/341
D786,210	S *	5/2017	Lee	D14/138 AB
D788,726	S *	6/2017	Lee	D14/138 AB
D788,774	S *	6/2017	Seo	D14/345
D791,725	S *	7/2017	Lee	D14/138 AB
D791,753	S *	7/2017	Bae	D14/248
D795,861	S *	8/2017	Seo	D14/341
D798,257	S *	9/2017	Choo	D14/138 AB
D827,604	S *	9/2018	Seo	D14/138 AB
D828,318	S *	9/2018	Seo	D14/138 AB
D828,319	S *	9/2018	Seo	D14/138 AB
D839,267	S *	1/2019	Park	D14/345
D847,134	S *	4/2019	Yamazaki	D14/345
D848,416	S *	5/2019	Yamazaki	D14/345
D859,347	S *	9/2019	Kwon	D14/138 AB
2014/0218321	A1 *	8/2014	Lee	G06F 1/1643 345/173
2016/0132074	A1 *	5/2016	Kim	G06F 1/1652 715/769
2017/0357289	A1 *	12/2017	Ahn	G06F 1/1652
2018/0329460	A1 *	11/2018	Song	G06F 1/1681
2018/0373297	A1 *	12/2018	Liao	G06F 1/1601

OTHER PUBLICATIONS

TCL's folding phone prototypes leaked a little early, publication date Feb. 23, 2019, [online][site visited Aug. 20, 2020] URL: <https://liliputing.com/2019/02/tcls-folding-phone-prototypes-leaked-a-little-early.html> (Year: 2019).*

Android Circuit: Galaxy 511, Huawei Mate 30Pro , Razer Phone, publication date Aug. 30, 2019, [online][visited Aug. 20, 2020] URL: <https://www.forbes.com/sites/ewanspence/2019/08/30/android-google-news-galaxy-s11-galaxy-fold-nokia-update-fairphone-huawei-mate30pro-leak-rumor/#7265c946e4c4> (Year: 2019).*

ZTE foldable smartphone likely to adopt a clamshell-style design, publication date Mar. 7 2019, [online][site visited Aug. 20, 2010] URL: <https://www.gizmochina.com/2019/03/07/zte-foldable-smartphone-likely-to-adopt-a-clamshell-style-design/> (Year: 2019).*

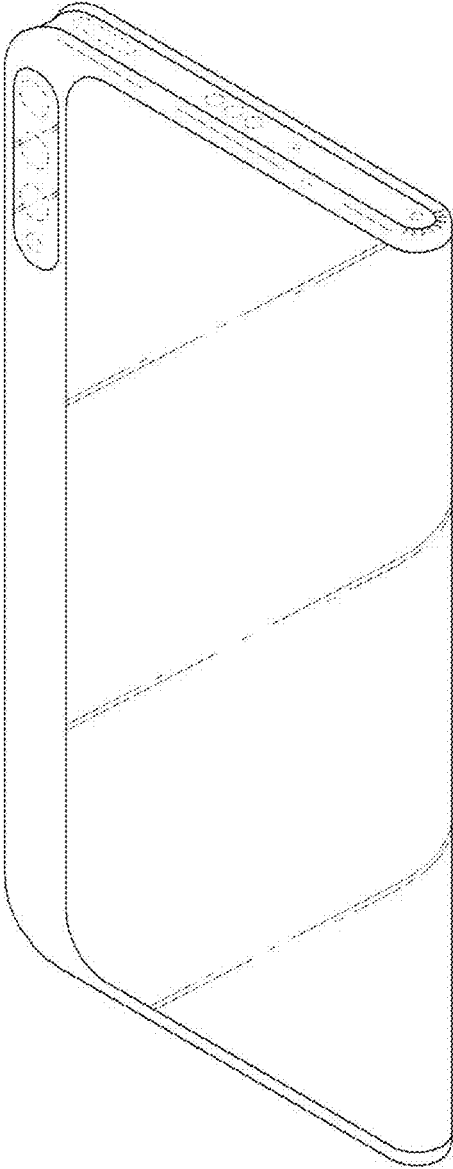
Samsung unveils new foldable flip-phone Galaxy Z fold, publication date Oct. 29, 2019, [online][site visited Aug. 21, 2020] URL: <https://www.youtube.com/watch?v=11w4I4OqrrE> (Year: 2019).*

Wait, What? Deceased Colombian Drug Lord's Company Is Now Selling a Folding Smartphone?, publicaiton date Dec. 4, 2019, [online][site visited Aug. 20, 2020] URL: <https://mikesouts.com/escobar-fold-1-folding-smartphone/> (Year: 2019).*

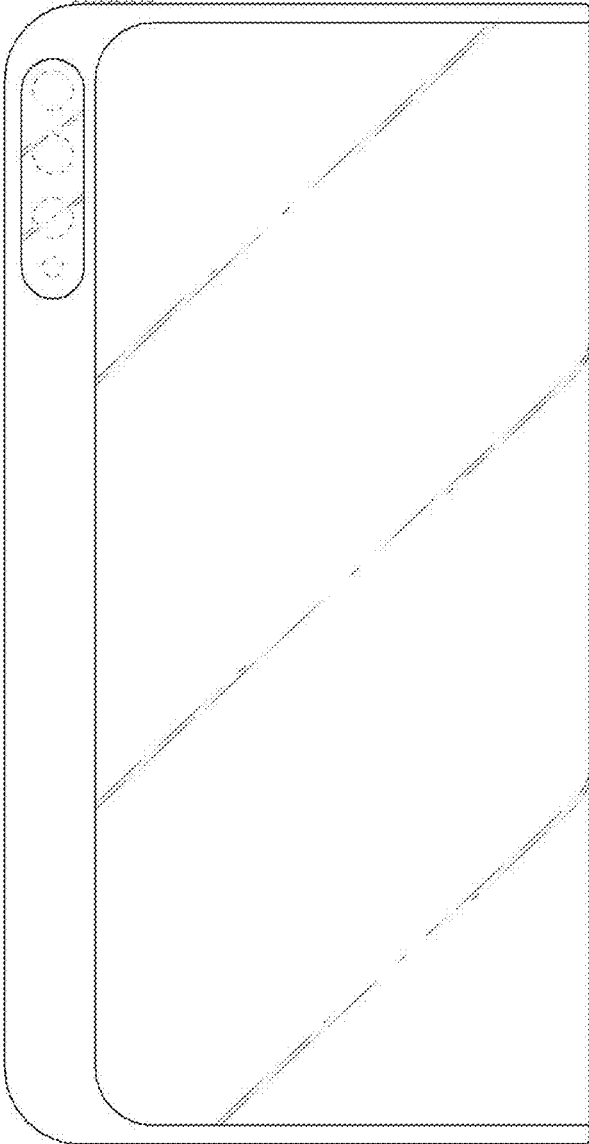
Here's what a Samsung horizontal folding phone could look like, publication date Aug. 29, 2019, [online][site visited Oct. 21, 2020] URL: <https://www.pocket-lint.com/phones/news/samsung/149115-heres-what-a-samsung-horizontal-folding-phone-looks-like> (Year: 2019).*

* cited by examiner

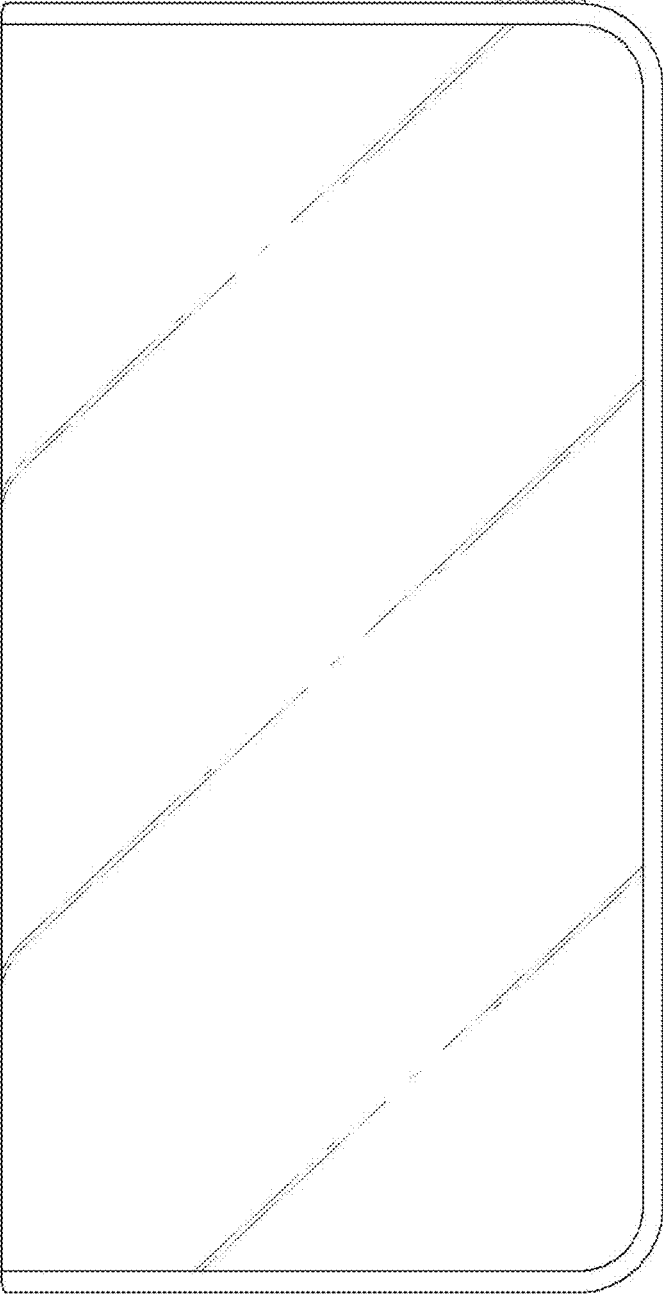
1.1



1.2



1.3



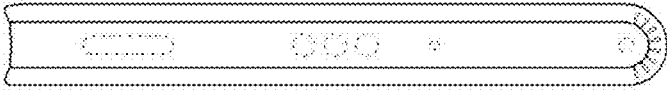
1.4



1.5



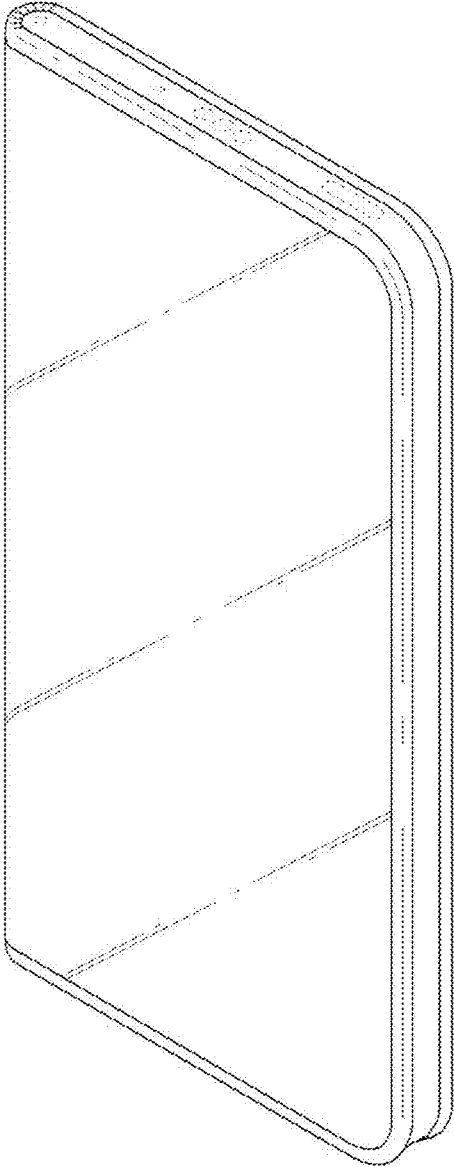
1.6



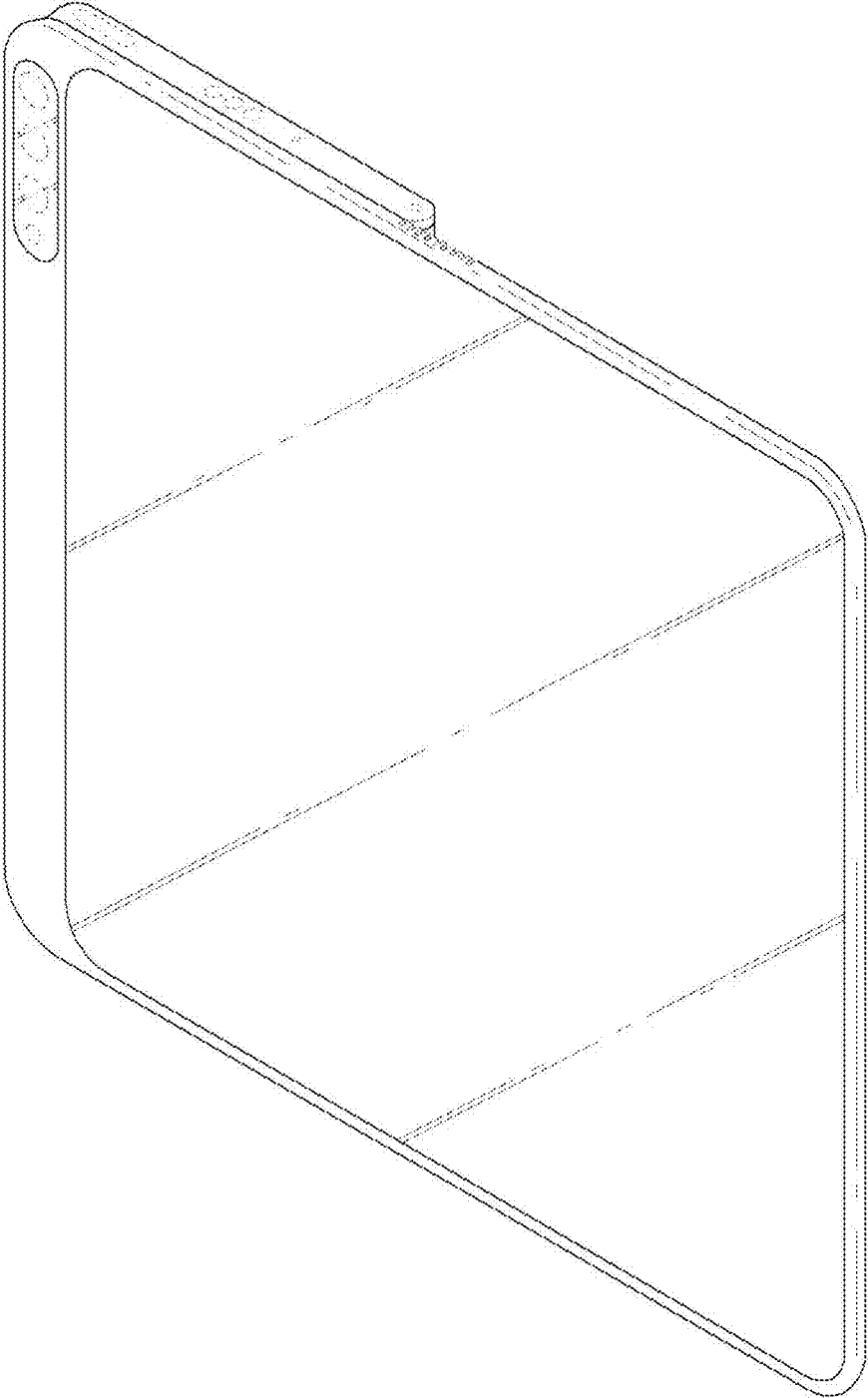
1.7



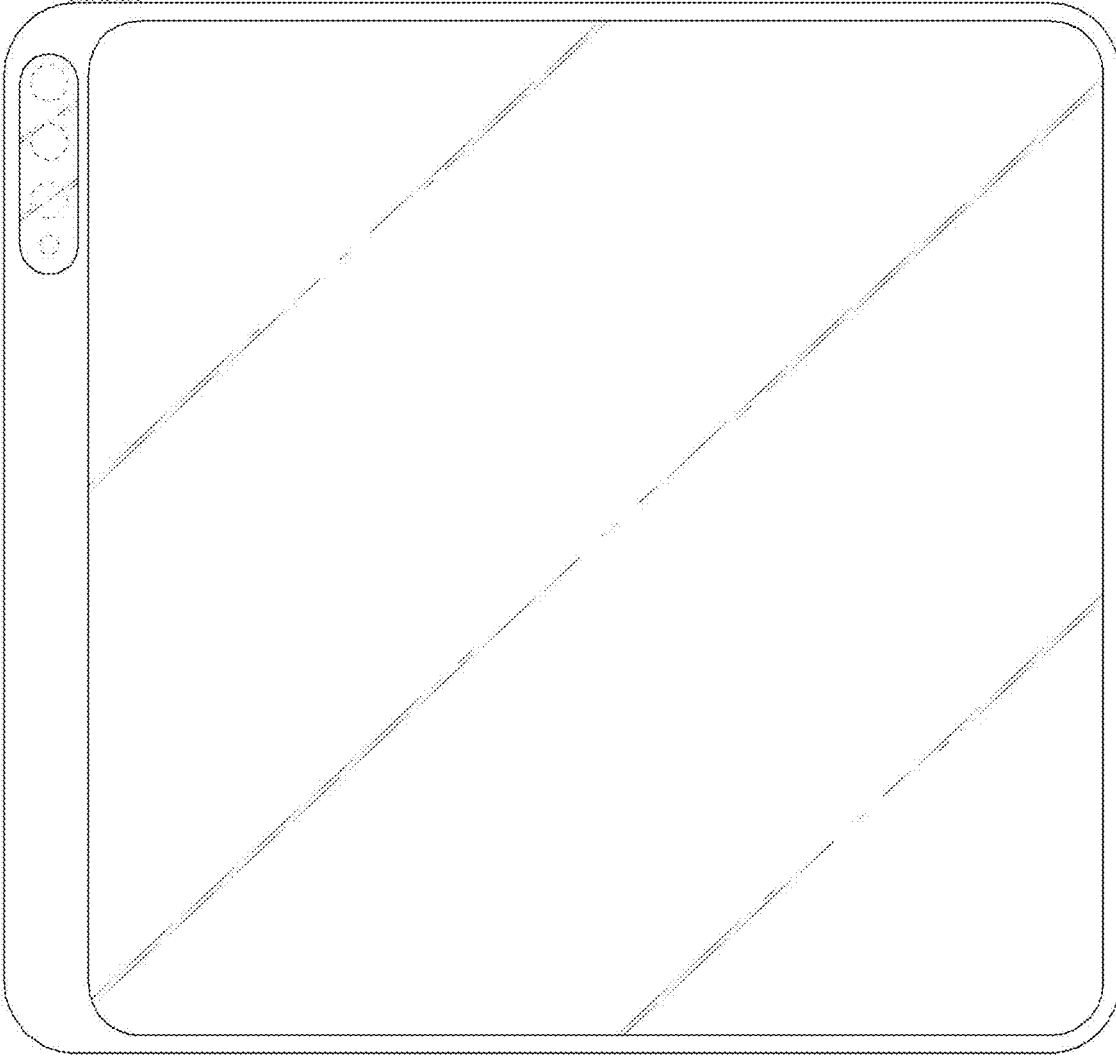
1.8



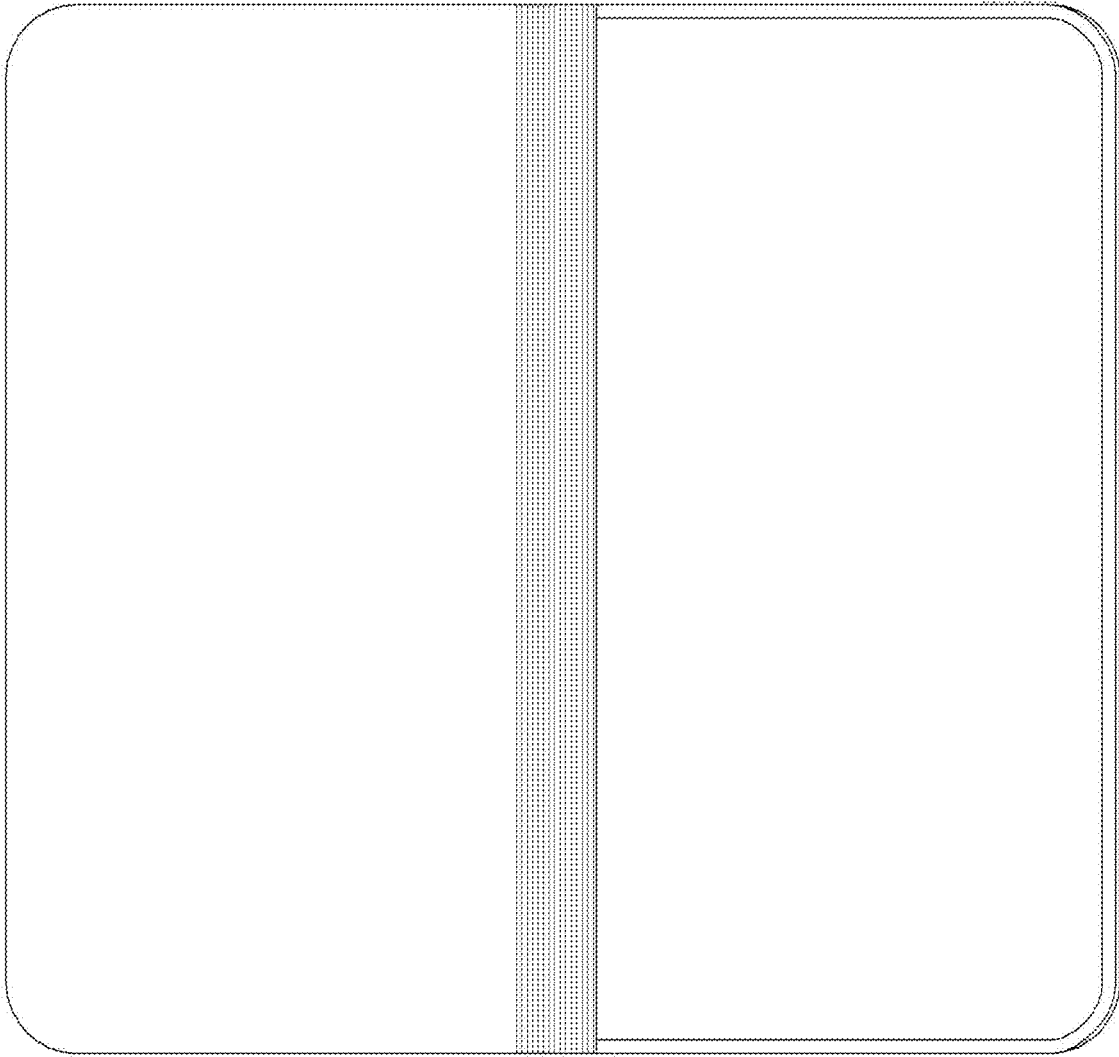
1.9



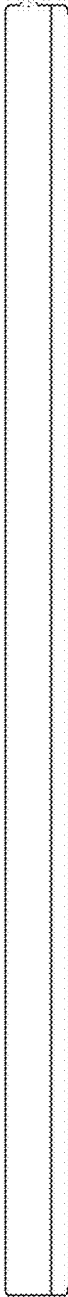
1.10



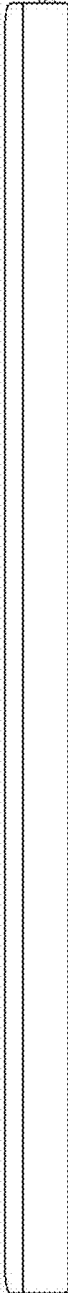
1.11



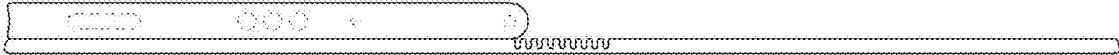
1.12



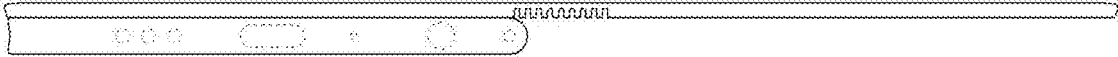
1.13



1.14



1.15



1.16

