



US00D982326S

(12) **United States Design Patent**
Russo

(10) **Patent No.:** **US D982,326 S**
(45) **Date of Patent:** **** Apr. 4, 2023**

(54) **BRUSH**
(71) Applicant: **Goody Products, Inc.**, Atlanta, GA (US)
(72) Inventor: **Melissa Russo**, Commack, NY (US)
(73) Assignee: **Goody Products, Inc.**, Atlanta, GA (US)
(**) Term: **15 Years**

D132,813 S * 6/1942 Schwartz D4/130
D697,314 S * 1/2014 Tronconi D4/130
D757,442 S * 5/2016 Waitesmith D4/127
D764,179 S * 8/2016 Odunsi D4/130
D765,420 S * 9/2016 Suh D4/130
D925,924 S * 7/2021 Kanakis D4/128

(Continued)

FOREIGN PATENT DOCUMENTS

WO D217763-001 * 5/2022

OTHER PUBLICATIONS

Planet Goody Detangling Palm Hair Brush, posting date unknown [online], [retrieved Oct. 25, 2022]. Retrieved from internet, <https://www.amazon.com/Planet-Goody-Detangling-Palm-Brush/dp/B09YKMSCYB?th=1> (Year: 2022).*

(Continued)

Primary Examiner — Alison M Ofstun
Assistant Examiner — Evin Franklin George Ershock
(74) *Attorney, Agent, or Firm* — Gloria Tsui-Yip; Gottlieb, Rackman & Reisman, P.C.

(21) Appl. No.: **29/784,697**
(22) Filed: **May 20, 2021**
(51) **LOC (14) Cl.** **04-02**
(52) **U.S. Cl.** **D4/130**
(58) **Field of Classification Search**
USPC D4/127, 128, 130, 132, 133, 137, 138, D4/199; D24/214.215; D28/63
CPC A45D 24/00; A45D 24/02; A45D 24/30; A46B 1/00; A46B 3/00; A46B 5/00; A46B 5/02; A46B 5/021; A46B 7/08; A46B 9/08; A46B 9/028; A46B 13/00; A46B 13/001; A46B 13/008; A46B 2200/00; A46B 2200/10; A46B 2200/1006; A46B 2200/102; A46B 2200/104; A46B 2200/1093; A46B 2200/30; A46B 2200/3033; A46B 2200/3046; A46B 2200/306; A46B 2200/3073; A46B 2200/3086; A46B 2200/3093; A46D 1/0207; A46D 1/0238; A47K 7/00; A47K 7/02; A47K 7/043; A01K 13/00; A01K 13/002; A61H 7/003
See application file for complete search history.

(57) **CLAIM**

The ornamental design for a brush, as shown and described.

DESCRIPTION

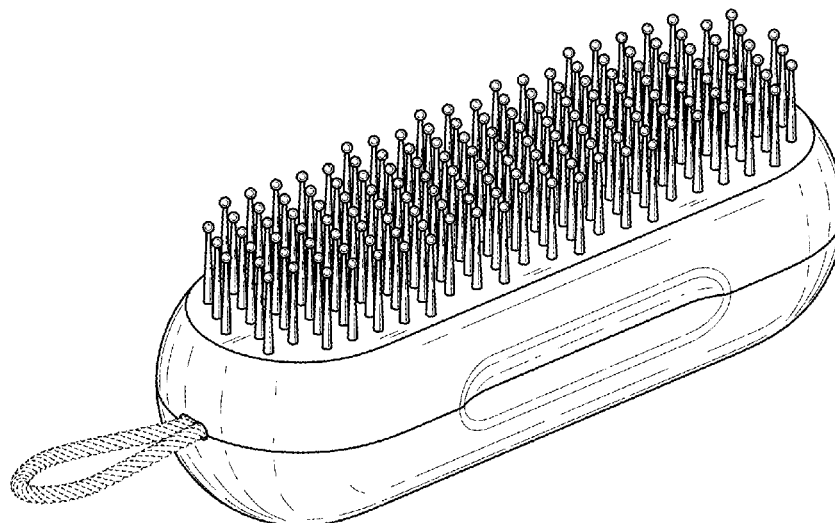
FIG. 1 is a perspective view of a brush showing my new design;
FIG. 2 is a right side elevational view thereof;
FIG. 3 is a top plan view thereof;
FIG. 4 is a left side elevational view thereof;
FIG. 5 is a bottom plan view thereof;
FIG. 6 is a front elevational view thereof; and,
FIG. 7 is a rear elevational view thereof.
The broken lines in the drawings depict portions of the brush that form no part of the claimed design.

(56) **References Cited**

U.S. PATENT DOCUMENTS

1,632,392 A * 6/1927 Townley A46B 15/00 132/121
1,763,832 A * 6/1930 Taylor A46B 11/0013 401/281

1 Claim, 4 Drawing Sheets



(56)

References Cited

U.S. PATENT DOCUMENTS

D939,218 S * 12/2021 Serposi D4/134
D941,589 S * 1/2022 Chen D4/130
D955,043 S * 6/2022 Zhu D28/35
D961,272 S * 8/2022 Watson D4/127
2017/0367923 A1 * 12/2017 Bergbacka A61H 7/001

OTHER PUBLICATIONS

Goody Planet Ocean Rescue Palm Hair Brush, posting date unknown [online], [retrieved Oct. 25, 2022]. Retrieved from internet, <https://www.target.com/p/goody-planet-ocean-rescue-palm-hair-brush-teal-blue/-/A-83361899> (Year: 2022).*

Multifunctional Scrubbing Brush, posted Dec. 12, 2020 [online], [retrieved Oct. 25, 2022]. Retrieved from internet, <https://www.amazon.com/Multifunctional-Scrubbing-Household-Cleaning-Reusable/dp/B08QF6K2JK/?th=1> (Year: 2020).*

* cited by examiner

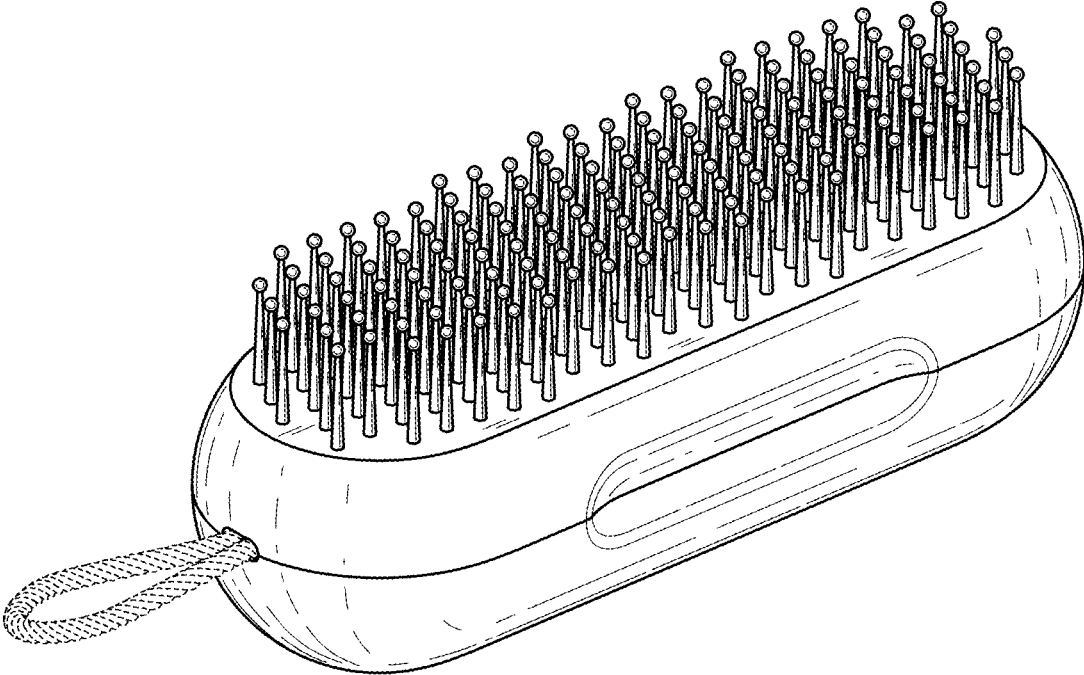


FIG.1

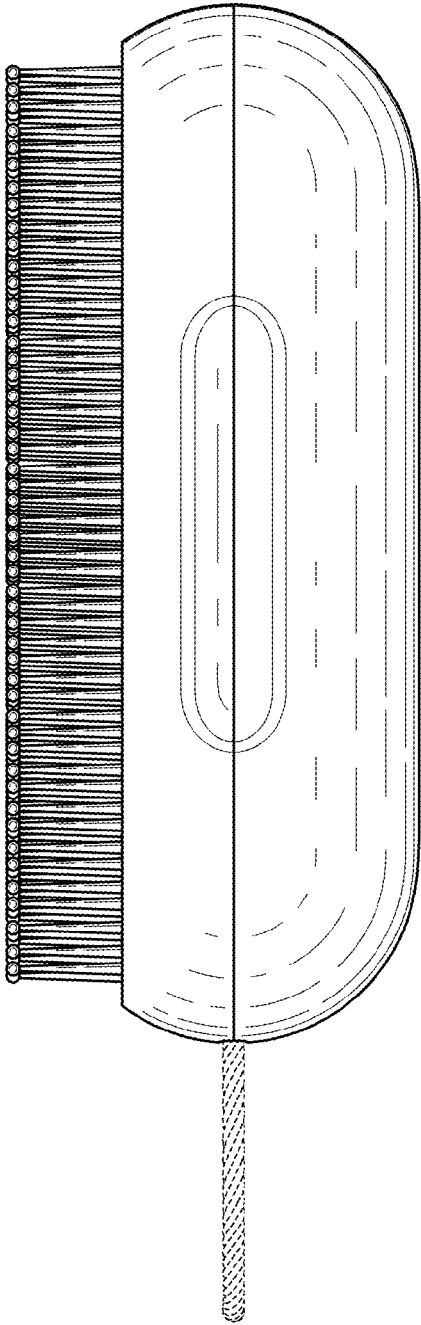


FIG.2

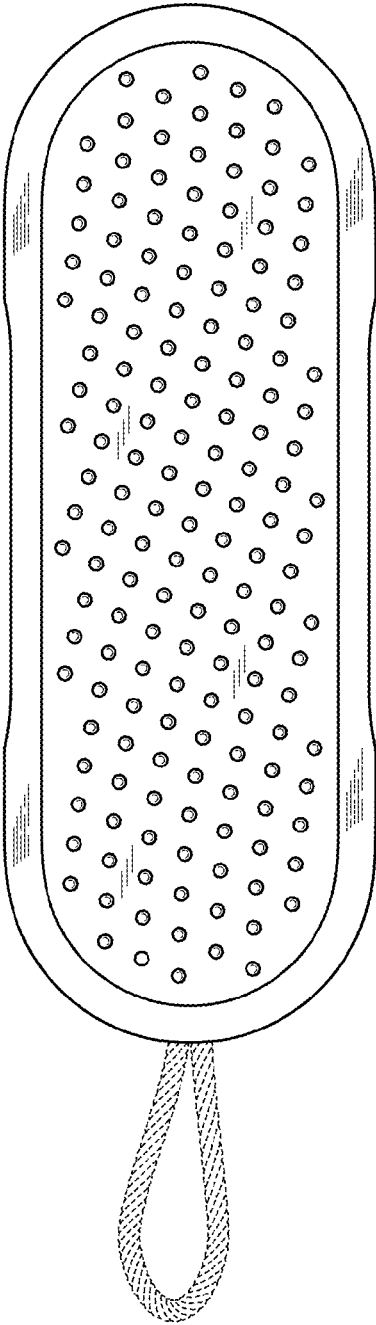


FIG.3

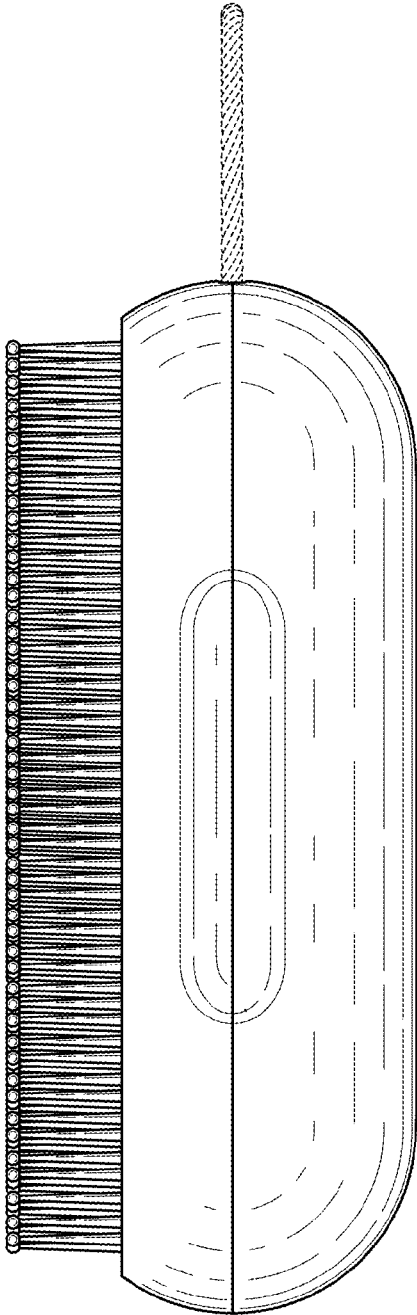


FIG. 4

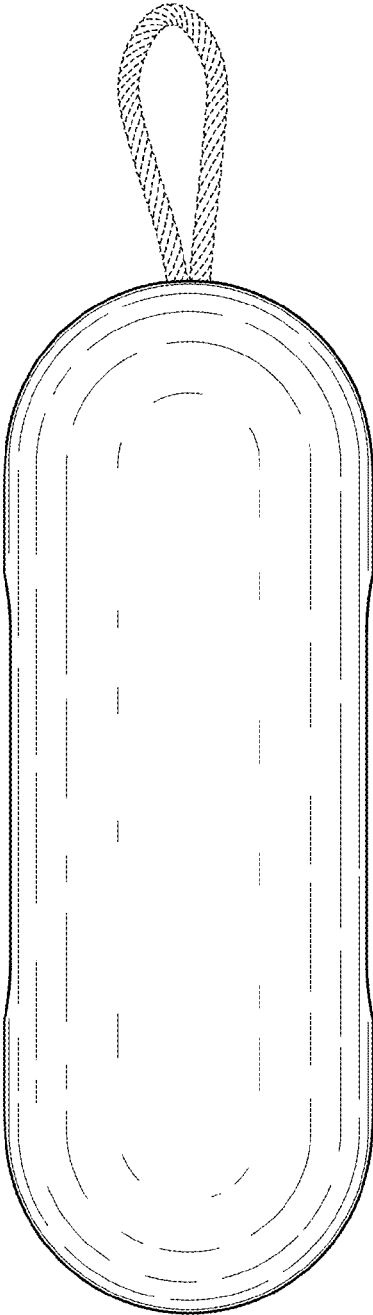


FIG. 5

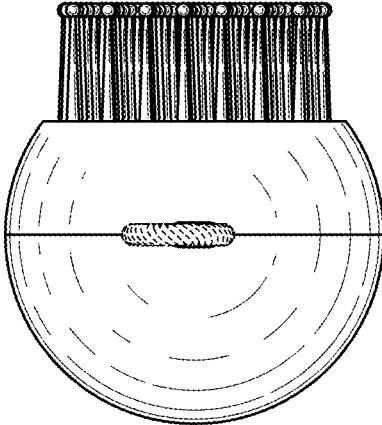


FIG.6

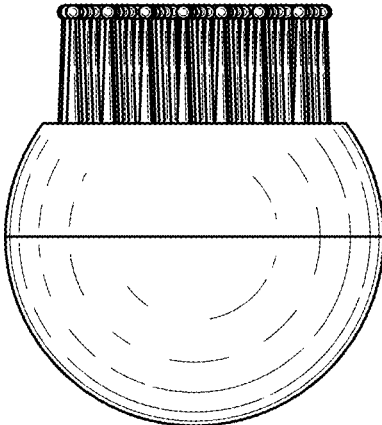


FIG.7