



US00D439902S

(12) **United States Design Patent** (10) **Patent No.:** **US D439,902 S**
Oba (45) **Date of Patent:** **** Apr. 3, 2001**

- (54) **KEYBOARD**
- (75) Inventor: **Haruo Oba**, Tokyo (JP)
- (73) Assignee: **Sony Corporation**, Tokyo (JP)
- (**) Term: **14 Years**
- (21) Appl. No.: **29/108,904**
- (22) Filed: **Aug. 6, 1999**
- (30) **Foreign Application Priority Data**
Feb. 12, 1999 (JP) 11-3241
- (51) **LOC (7) Cl.** **14-02**
- (52) **U.S. Cl.** **D14/392**
- (58) **Field of Search** D14/391-394,
D14/396, 247, 144; D18/6, 7, 1; 178/17 A,
17 C; 200/5 A, 5 R, 6 A, 6 R; 235/145 A,
145 R; 345/168; 341/22, 23; 364/708.1;
400/472, 479, 484-486, 488, 489, 492

- (56) **References Cited**
- U.S. PATENT DOCUMENTS**
- D. 278,247 * 4/1985 Miyamoto et al. D18/1
- D. 286,045 * 10/1986 McGarvey et al. D14/392
- D. 290,360 * 6/1987 Anzelone et al. D14/396
- D. 322,245 * 12/1991 Lin D14/396
- D. 406,577 3/1999 Fitzsimmons D14/114

OTHER PUBLICATIONS

Catalog; "Toshiba Vision Connect"; Toshiba; May 1997; 1 sheet.

Catalog; "88"; Sony; Mar. 1998; pp. 197 & 198.

Catalog; "Toshiba Equium"; Toshiba; Apr. 1998; 3 sheets.

Catalog; "Hitachi Flora Prius Line Up"; Hitachi; Feb. 1999, 3 sheets.

* cited by examiner

Primary Examiner—Freda Nunn
(74) *Attorney, Agent, or Firm*—Rader, Fishman & Grauer

(57) **CLAIM**

The ornamental design for a keyboard, as shown and described.

DESCRIPTION

FIG. 1 is a perspective view of a keyboard, wherein the cover portion is in a folded position, showing my new design;

FIG. 2 is a top plan view thereof;

FIG. 3 is a bottom plan view thereof;

FIG. 4 is a left side elevational view thereof;

FIG. 5 is a right side elevational view thereof;

FIG. 6 is a front elevational view thereof;

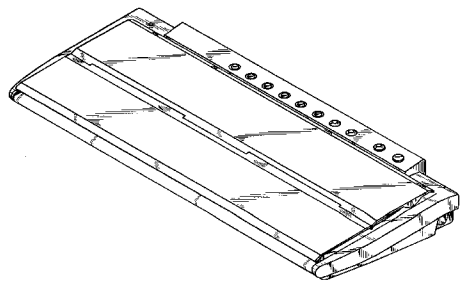
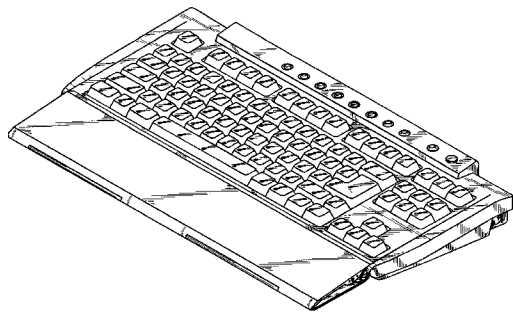
FIG. 7 is a rear elevational view thereof;

FIG. 8 is a perspective view thereof, wherein the cover portion of the keyboard is shown in a closed position;

FIG. 9 is a perspective view thereof, wherein the cover is in a first intermediate position; and,

FIG. 10 is a perspective view thereof, wherein the cover is in the second intermediate position.

1 Claim, 5 Drawing Sheets



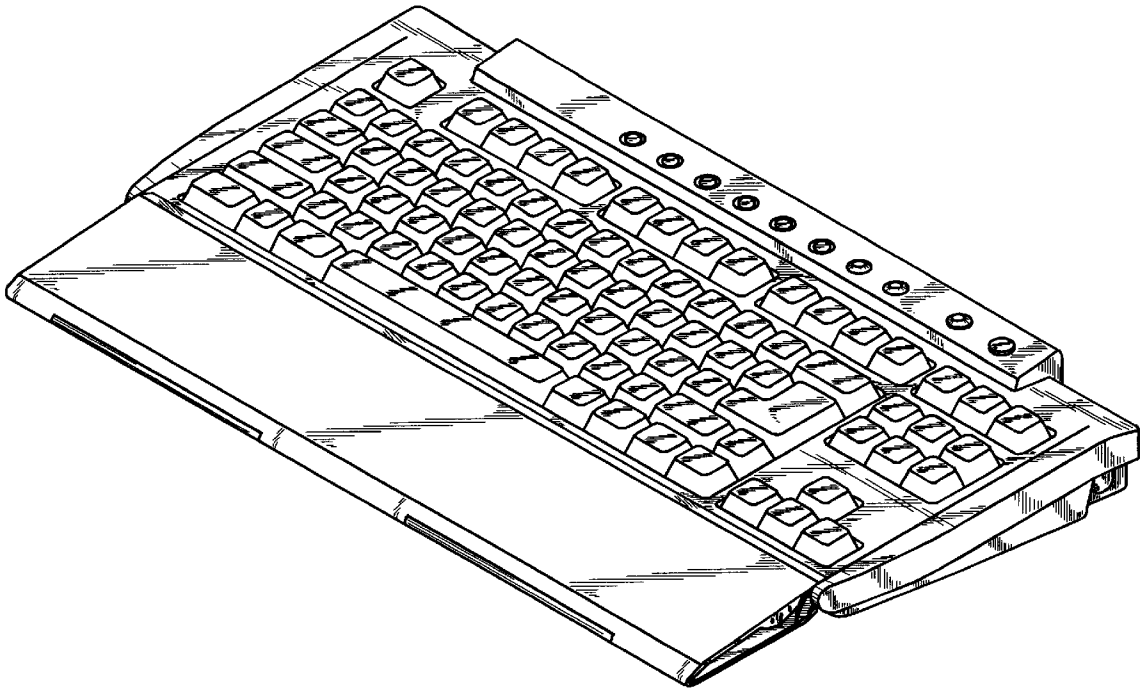


Fig. 1

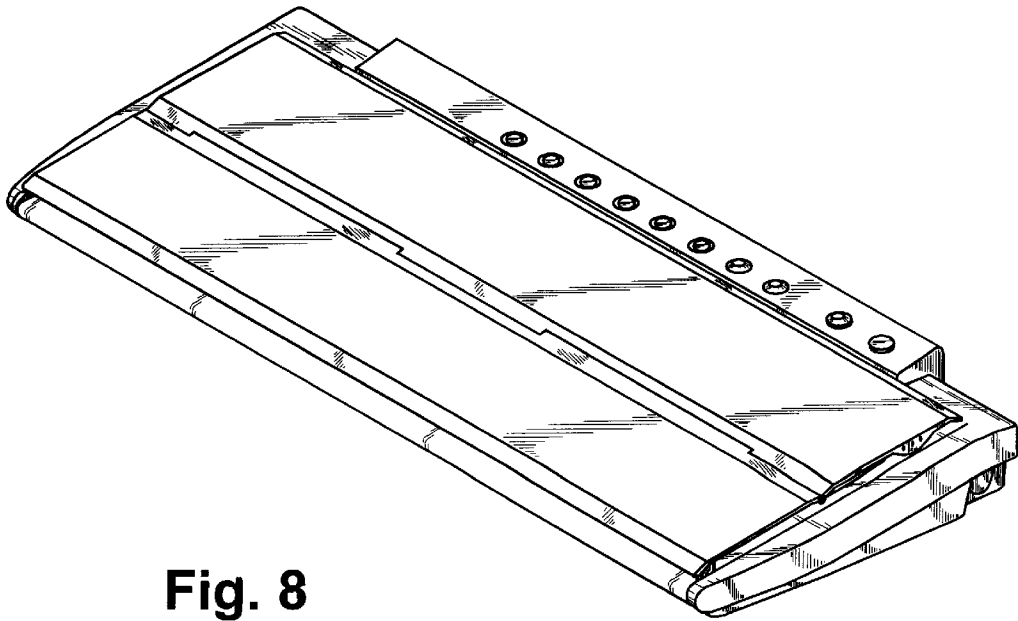


Fig. 8

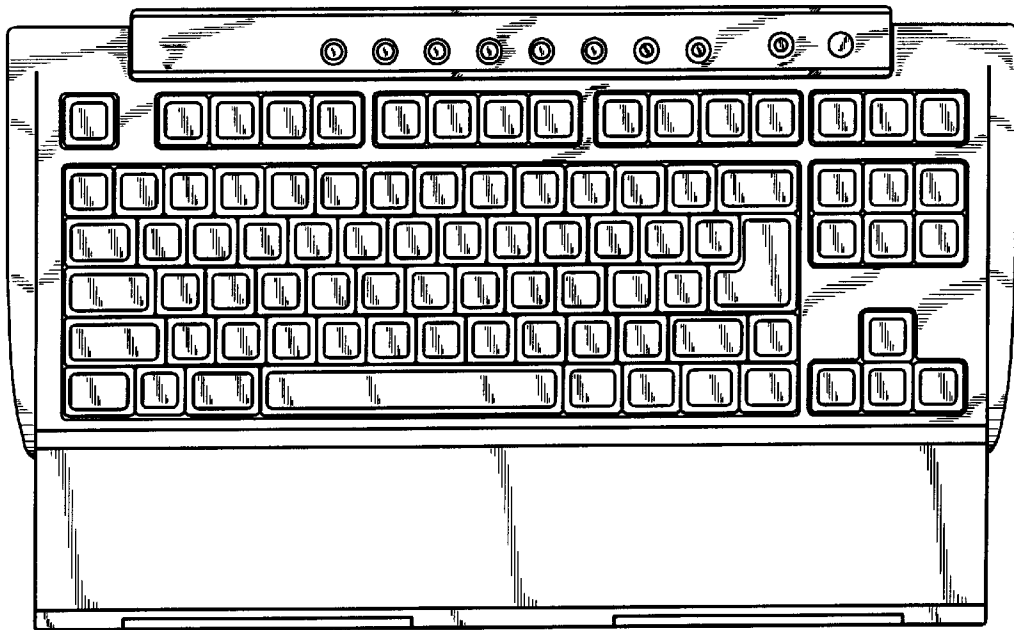


Fig. 2

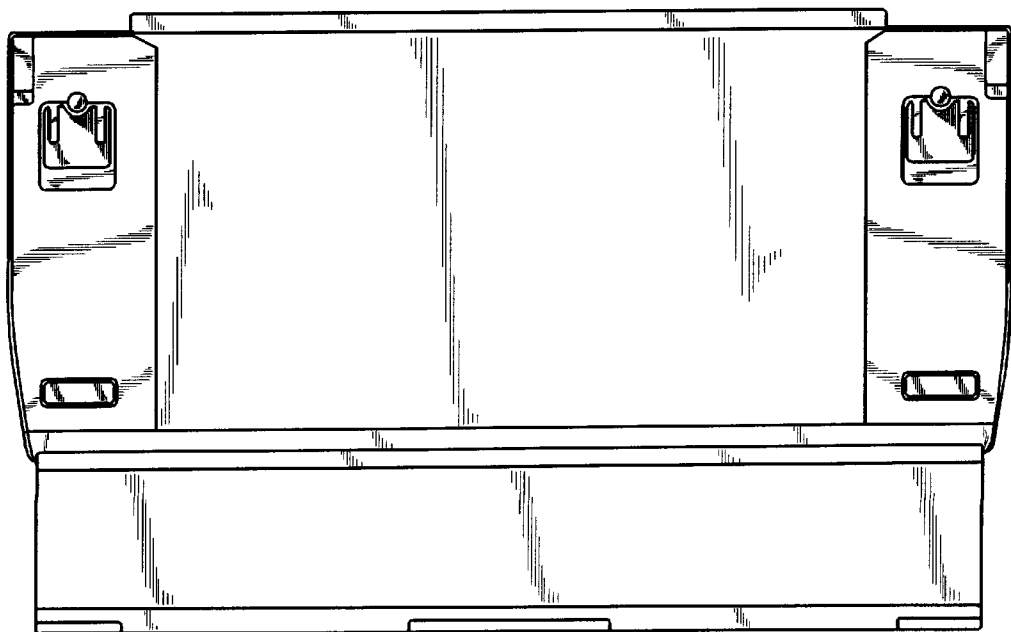


Fig. 3

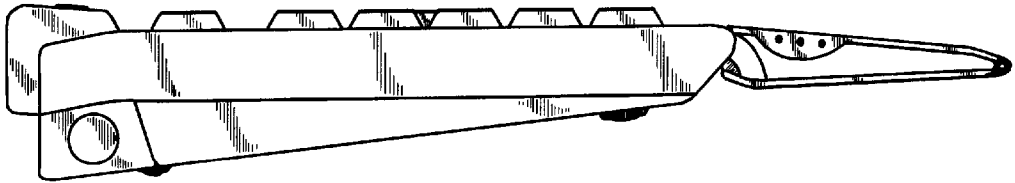


Fig. 4

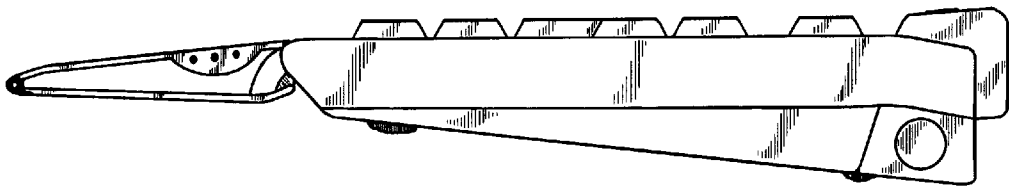


Fig. 5

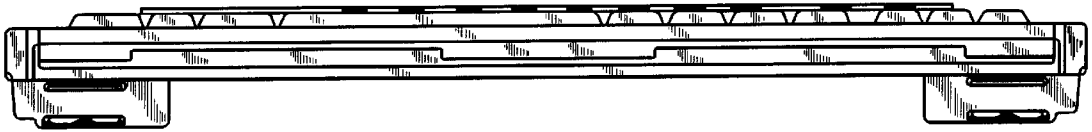


Fig. 6



Fig. 7

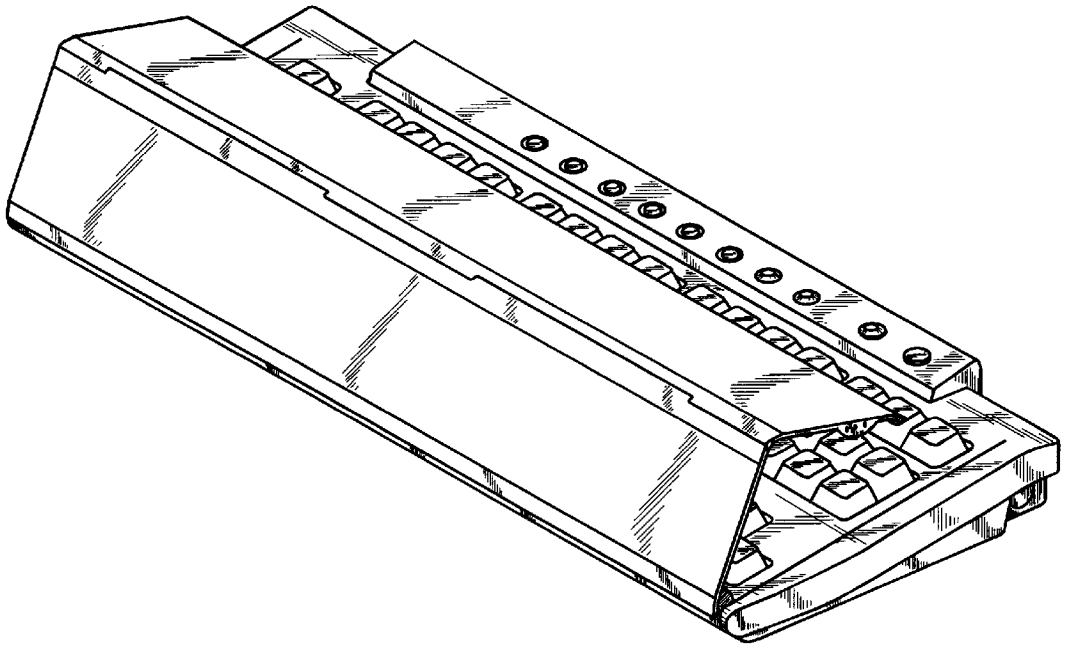


Fig. 9

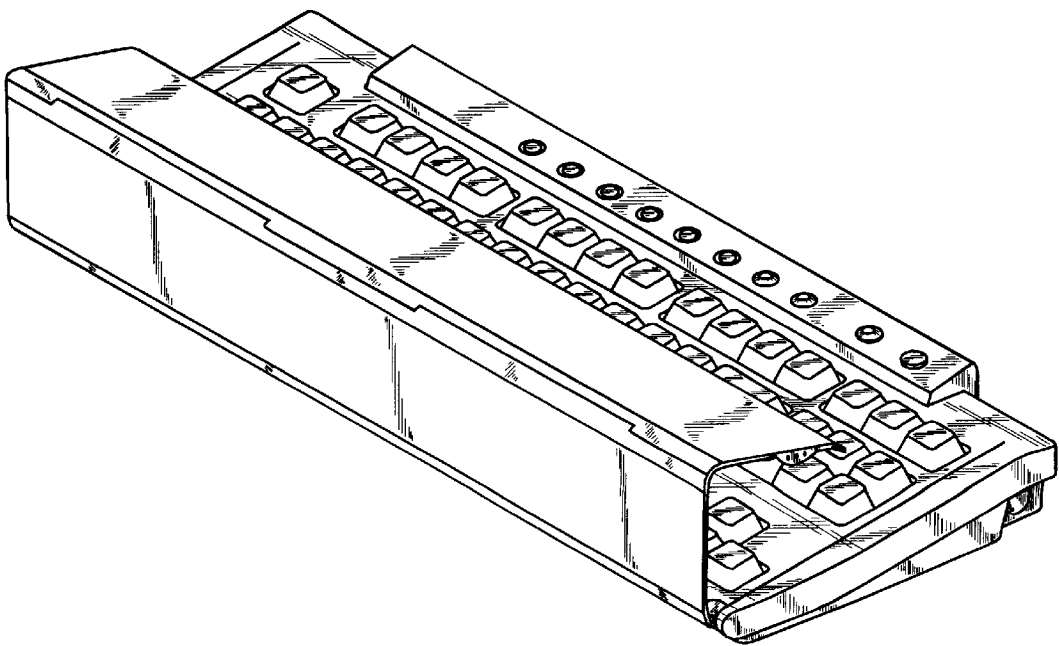


Fig. 10