



(12) **United States Design Patent**
Deck et al.

(10) **Patent No.:** **US D991,453 S**
(45) **Date of Patent:** **** Jul. 4, 2023**

- (54) **LINEAR SURGICAL STAPLER**
- (71) Applicant: **Cilag GmbH International**, Zug (CH)
- (72) Inventors: **Andrew C. Deck**, Cincinnati, OH (US);
David K. Norvell, Monroe, OH (US);
Matthew S. Corbin, Placentia, CA (US);
Jason D. Jones, Cincinnati, OH (US);
Brian D. Schings, Maineville, OH (US)

5,718,359 A 2/1998 Palmer et al.
5,931,847 A 8/1999 Bittner et al.
5,988,479 A 11/1999 Palmer
(Continued)

FOREIGN PATENT DOCUMENTS

JP 1339812 S 9/2008
JP 1646352 S 11/2019
(Continued)

- (73) Assignee: **Cilag GmbH International**, Zug (CH)
- (**) Term: **15 Years**
- (21) Appl. No.: **29/820,692**
- (22) Filed: **Dec. 23, 2021**

OTHER PUBLICATIONS

Japanese Notification dated Jun. 23, 2020 for Application No. JP 2019-024325, 1 pg.
(Continued)

Primary Examiner — Wan Laymon
(74) *Attorney, Agent, or Firm* — Frost Brown Todd LLP
(57) **CLAIM**

The ornamental design for a linear surgical stapler, as shown and described.

DESCRIPTION

FIG. 1 is a perspective view of a linear surgical stapler, showing our new design;
FIG. 2 is a front elevational view of the linear surgical stapler of FIG. 1;
FIG. 3 is a rear elevational view of the linear surgical stapler of FIG. 1;
FIG. 4 is a left elevational view of the linear surgical stapler of FIG. 1;
FIG. 5 is a right elevational view of the linear surgical stapler of FIG. 1;
FIG. 6 is a top plan view of the linear surgical stapler of FIG. 1; and,
FIG. 7 is a bottom plan view of the linear surgical stapler of FIG. 1.
The broken lines in the drawings depict portions of the linear surgical stapler that form no part of the claimed design.

Related U.S. Application Data

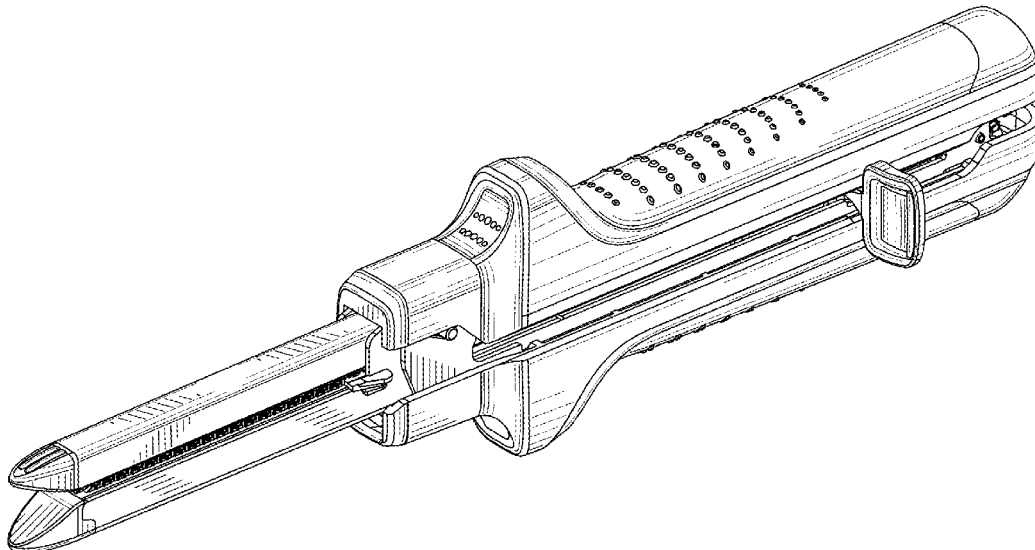
- (62) Division of application No. 29/785,363, filed on May 25, 2021, now Pat. No. Des. 940,319, which is a division of application No. 29/689,708, filed on May 1, 2019, now Pat. No. Des. 928,319.
- (51) **LOC (14) Cl.** **24-02**
- (52) **U.S. Cl.**
USPC **D24/145**
- (58) **Field of Classification Search**
USPC D24/145
CPC A61B 17/07207; A61B 17/064; A61B 17/072; A61B 17/068; A61B 17/115; A61B 2017/07271
See application file for complete search history.

References Cited

U.S. PATENT DOCUMENTS

D272,851 S 2/1984 Green et al.
D322,143 S * 12/1991 Spreckelmeier D24/145
5,636,779 A 6/1997 Palmer

1 Claim, 4 Drawing Sheets



(56)

References Cited

U.S. PATENT DOCUMENTS

D480,808 S * 10/2003 Wells D24/145
 D576,278 S 9/2008 Nalagatla et al.
 7,766,209 B2 8/2010 Baxter, III et al.
 D676,963 S 2/2013 Hunt et al.
 8,388,652 B2 3/2013 Viola
 8,496,156 B2 * 7/2013 Sniffin A61B 17/068
 227/176.1
 8,800,840 B2 * 8/2014 Jankowski A61B 17/072
 227/176.1
 9,271,728 B2 * 3/2016 Gupta A61B 17/07207
 9,370,359 B2 6/2016 Johnson et al.
 9,451,959 B2 9/2016 Patankar et al.
 9,724,095 B2 8/2017 Gupta et al.
 10,123,797 B2 11/2018 Katre et al.
 10,517,593 B2 12/2019 Gupta et al.
 10,542,980 B2 1/2020 Patankar et al.
 10,888,327 B2 1/2021 Gupta et al.
 D913,495 S 3/2021 Deck et al.
 D928,319 S 8/2021 Deck et al.

D940,319 S 1/2022 Deck et al.
 11,229,433 B2 1/2022 Schings et al.
 D949,338 S * 4/2022 Deck D24/145
 2016/0262756 A1 9/2016 Patankar et al.
 2020/0000470 A1 * 1/2020 Du A61B 17/07207
 2020/0029966 A1 1/2020 Zhan et al.
 2020/0046353 A1 * 2/2020 Deck A61B 17/07207
 2021/0369270 A1 * 12/2021 Schings A61B 17/07207
 2021/0369272 A1 * 12/2021 Schings A61B 17/115

FOREIGN PATENT DOCUMENTS

JP 1653787 S 2/2020
 JP 1653885 S 2/2020

OTHER PUBLICATIONS

Japanese Notification dated Dec. 8, 2020 for Application No. JP 2020-010652, 1 pg.

* cited by examiner

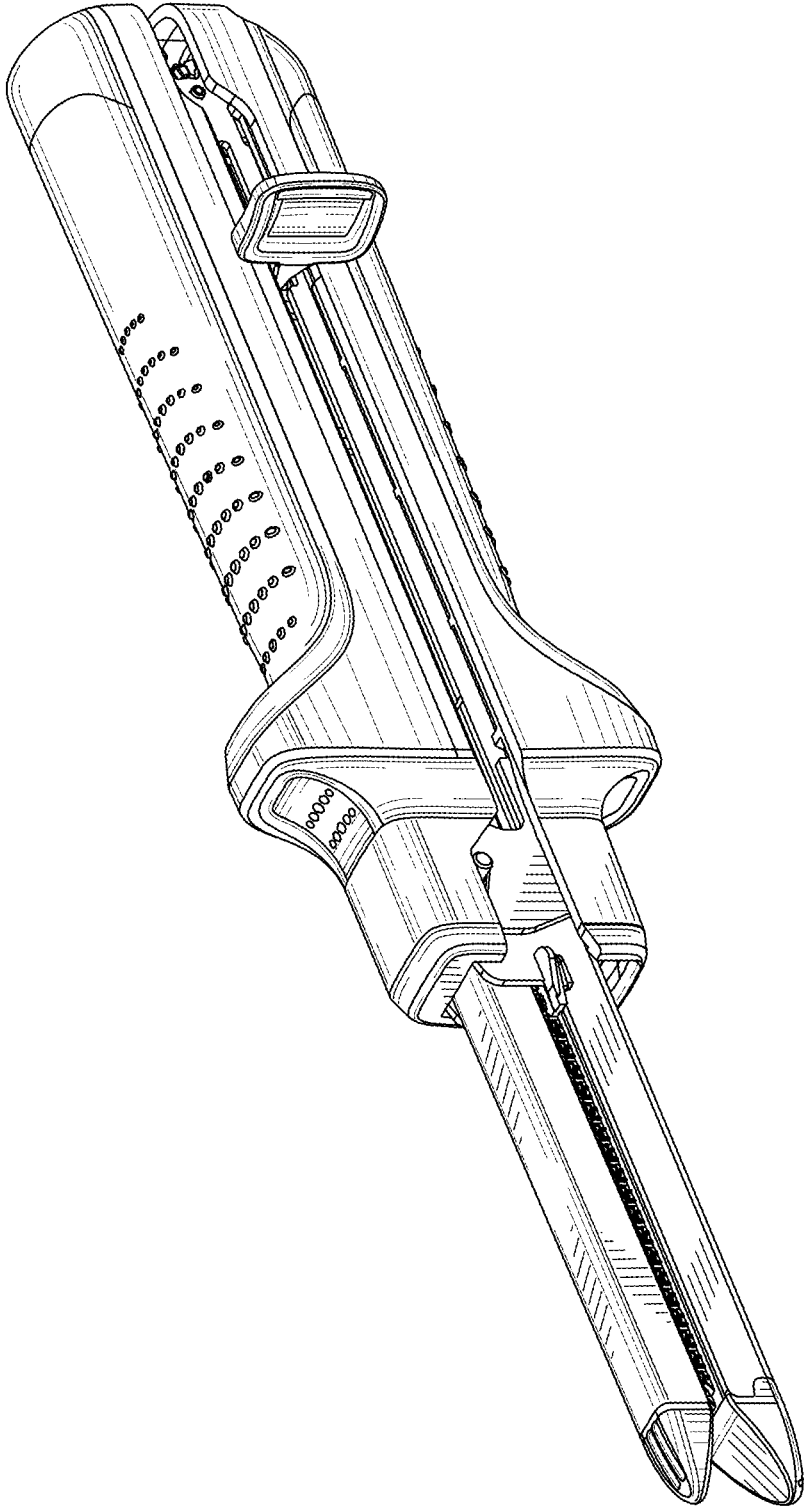


FIG. 1

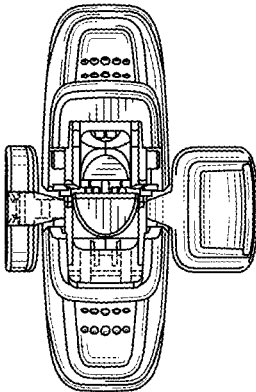


FIG. 2

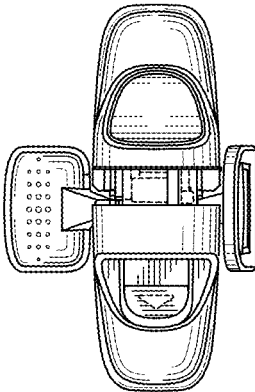


FIG. 3

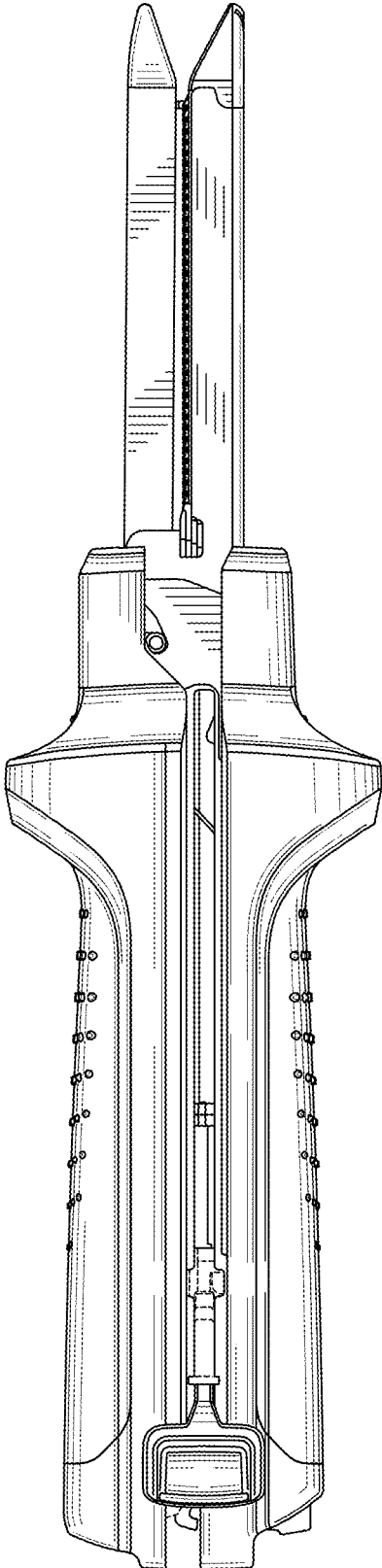


FIG. 4

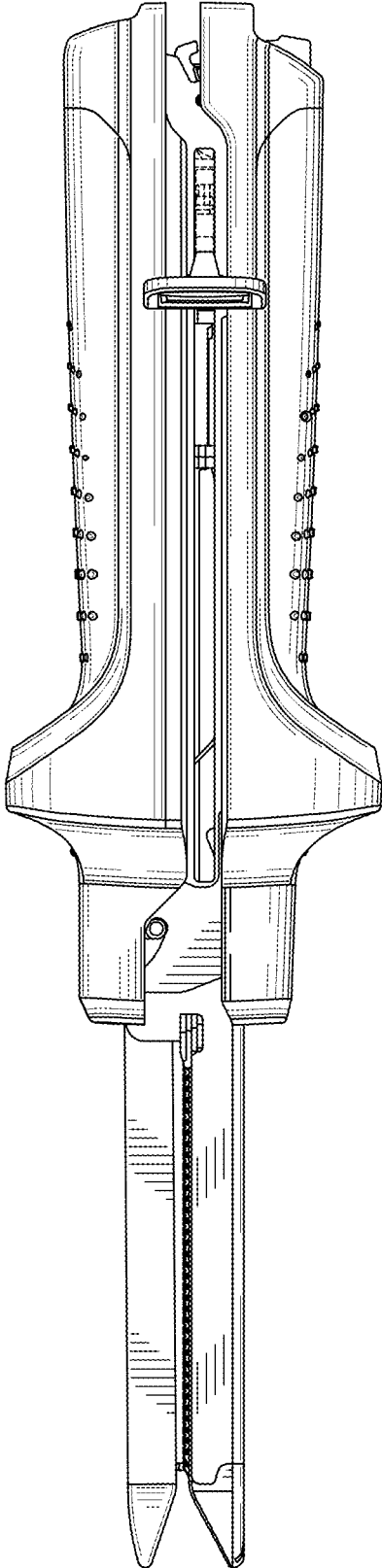


FIG. 5

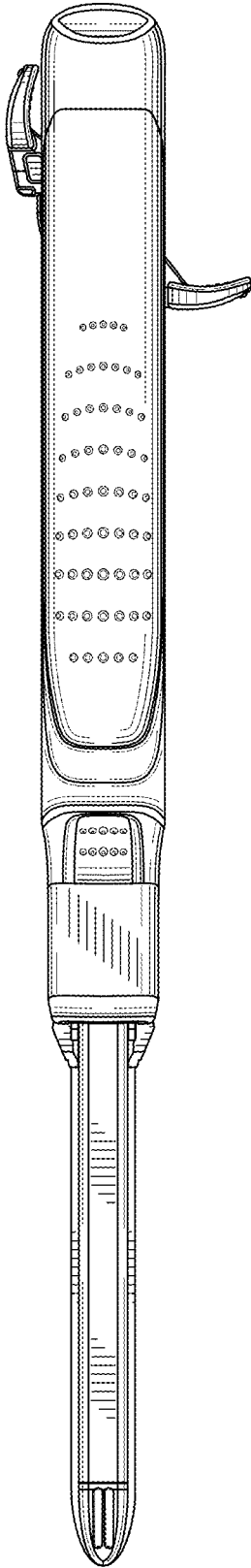


FIG. 6

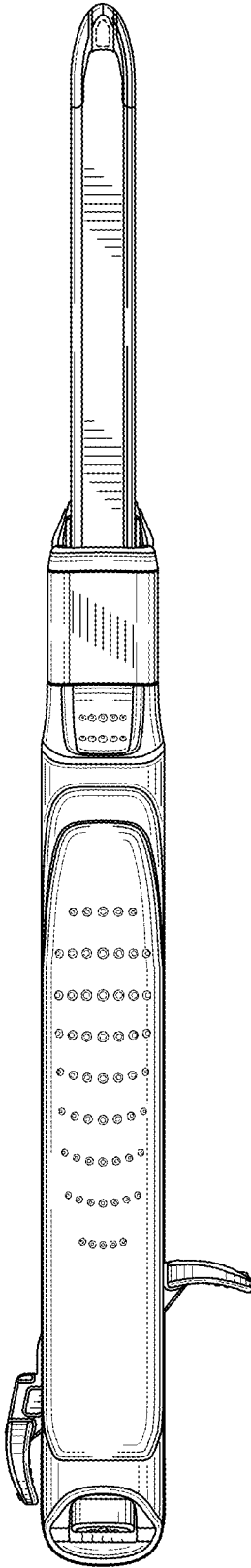


FIG. 7