



US00D879854S

(12) **United States Design Patent**  
**Lu et al.**

(10) **Patent No.:** **US D879,854 S**  
(45) **Date of Patent:** **\*\* Mar. 31, 2020**

- (54) **TRANSPORTATION ROBOT**
- (71) Applicant: **SUZHOU RADIANT PHOTOVOLTAIC TECHNOLOGY CO., LTD**, Jiangsu (CN)
- (72) Inventors: **Jianxiang Lu**, Jiangsu (CN); **Yu Liu**, Jiangsu (CN); **Jianrong Xu**, Jiangsu (CN); **Fei Xu**, Jiangsu (CN)
- (73) Assignee: **SUZHOU RADIANT PHOTOVOLTAIC TECHNOLOGY CO., LTD**, Suzhou, Jiangsu (CN)
- (\*\*) Term: **15 Years**
- (21) Appl. No.: **29/681,495**
- (22) Filed: **Feb. 26, 2019**
- (51) **LOC (12) Cl.** ..... **15-99**
- (52) **U.S. Cl.**  
USPC ..... **D15/199**; D34/34
- (58) **Field of Classification Search**  
USPC ..... D6/338, 356; D15/22, 24, 199; D21/578-583, 621, 622; D34/28, 34  
CPC ..... B25J 9/044; B25J 9/102; B65G 1/065; B65G 1/0414; B65G 1/0492; B65G 1/1373; B65G 1/1375; B65G 67/02; G05D 1/0088; G05D 1/0223; G05D 2201/0211; G06F 3/0485; Y10T 74/20305  
See application file for complete search history.

D391,896	S	*	3/1998	Albertson	.....	D12/1
6,019,563	A	*	2/2000	Murata	.....	B23Q 7/1436
						414/222.01
D545,721	S	*	7/2007	Hacker	.....	D12/1
D636,824	S	*	4/2011	Wensel	.....	D21/539
D786,312	S	*	5/2017	Okuyama	.....	D12/14
D810,799	S	*	2/2018	Sokuza	.....	D15/199
D819,711	S	*	6/2018	Li	.....	D15/199
D822,736	S	*	7/2018	Kato	.....	D15/199
D837,852	S	*	1/2019	Nilsson	.....	D15/199
D839,331	S	*	1/2019	Nilsson	.....	D15/199
10,202,061	B2	*	2/2019	Scherle	.....	B66F 9/063
D853,461	S	*	7/2019	Cheikh	.....	D15/199
D857,773	S	*	8/2019	Muraishi	.....	D15/199
10,423,163	B2	*	9/2019	Choi	.....	G05D 1/0225
D865,021	S	*	10/2019	Hu	.....	D15/199

(Continued)

*Primary Examiner* — Patricia A Palasik  
(74) *Attorney, Agent, or Firm* — Muncy, Geissler, Olds & Lowe, P.C.

(57) **CLAIM**

The ornamental design for a transportation robot, as shown and described.

**DESCRIPTION**

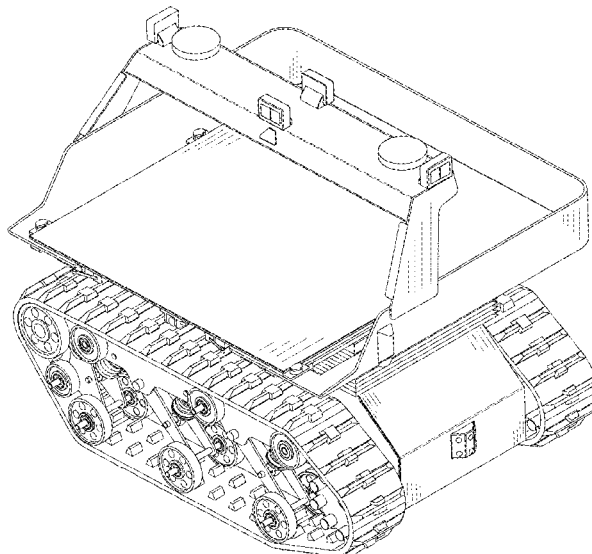
FIG. 1 is a top perspective view of the transportation robot; FIG. 2 is a front view thereof; FIG. 3 is a rear view thereof; FIG. 4 is a left side view thereof; FIG. 5 is a right side view thereof; FIG. 6 is a top view thereof; FIG. 7 is a bottom view thereof; FIG. 8 is a bottom perspective view of the transportation robot; FIG. 9 is a top perspective view of the transportation robot in an inclined position; and, FIG. 10 is a top perspective view of the transportation robot in a lifted position.

**1 Claim, 10 Drawing Sheets**

(56) **References Cited**

**U.S. PATENT DOCUMENTS**

3,970,405	A	*	7/1976	Swisher, Jr.	.....	E01C 19/405
						404/105
D298,378	S	*	11/1988	Eckstedt	.....	D12/1
D314,388	S	*	2/1991	Brewer	.....	D12/1
D320,579	S	*	10/1991	Manning	.....	D12/1
5,154,249	A	*	10/1992	Yardley	.....	B60D 1/06
						180/168



(56)

**References Cited**

## U.S. PATENT DOCUMENTS

D866,628 S \* 11/2019 Xi ..... D15/199  
10,482,550 B1 \* 11/2019 Theobald ..... B25J 11/008  
10,493,624 B1 \* 12/2019 Nabat ..... B25J 5/00  
2007/0156286 A1 \* 7/2007 Yamauchi ..... G05D 1/0038  
700/245  
2010/0212983 A1 \* 8/2010 Lama ..... B62D 57/024  
180/167  
2010/0230196 A1 \* 9/2010 Nishimura ..... B60L 8/003  
180/165  
2010/0316468 A1 \* 12/2010 Lert ..... B65G 1/0492  
414/273  
2011/0135189 A1 \* 6/2011 Lee ..... B25J 9/1682  
382/153  
2012/0185122 A1 \* 7/2012 Sullivan ..... G05D 1/0272  
701/23  
2012/0189409 A1 \* 7/2012 Toebes ..... B65G 1/0492  
414/273  
2013/0140801 A1 \* 6/2013 Schlee ..... B60B 39/00  
280/762  
2014/0308098 A1 \* 10/2014 Lert ..... B65G 1/0492  
414/281  
2016/0214808 A1 \* 7/2016 Cyrulik ..... B65G 67/02  
2016/0378111 A1 \* 12/2016 Lenser ..... G05D 1/0251  
701/2  
2017/0038776 A1 \* 2/2017 Gariepy ..... G05D 1/0022  
2017/0144502 A1 \* 5/2017 Bae ..... B62D 61/12  
2017/0157771 A1 \* 6/2017 Jung ..... B25J 9/1697  
2017/0182924 A1 \* 6/2017 Lendo ..... B60L 53/16  
2018/0072212 A1 \* 3/2018 Alfaro ..... G05D 1/0212  
2018/0099811 A1 \* 4/2018 Shen ..... B65G 1/0492

\* cited by examiner

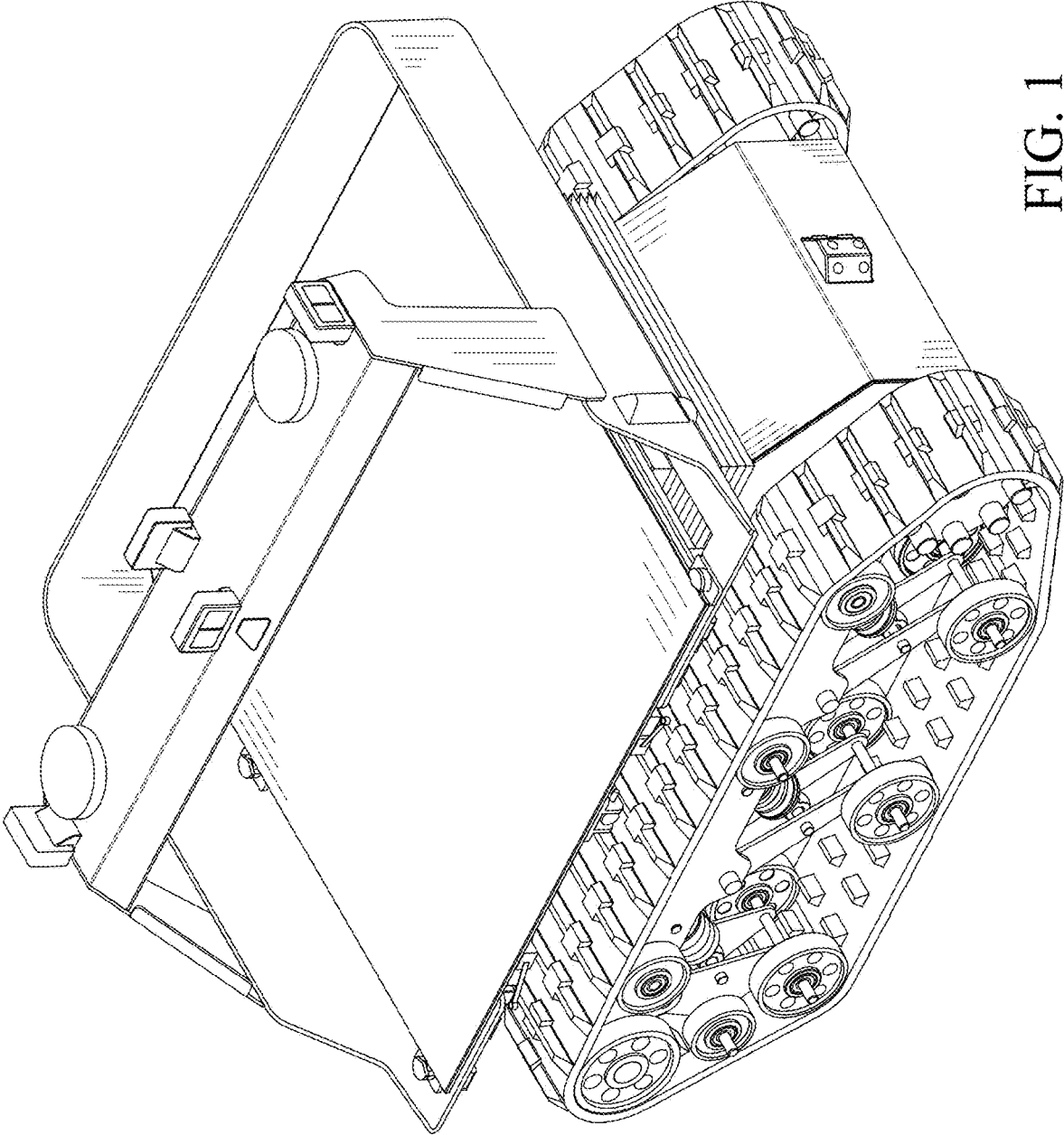


FIG. 1

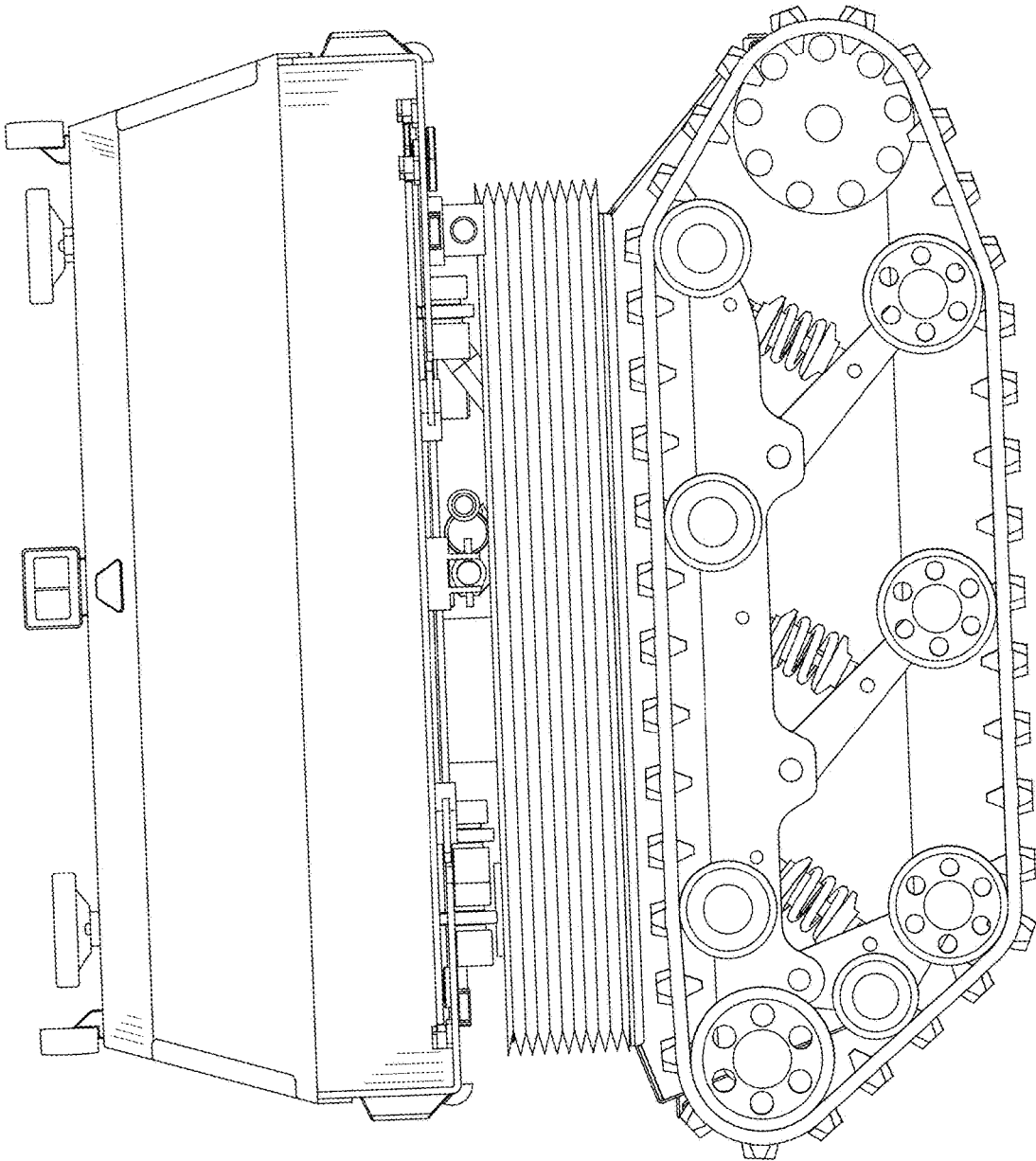


FIG. 2

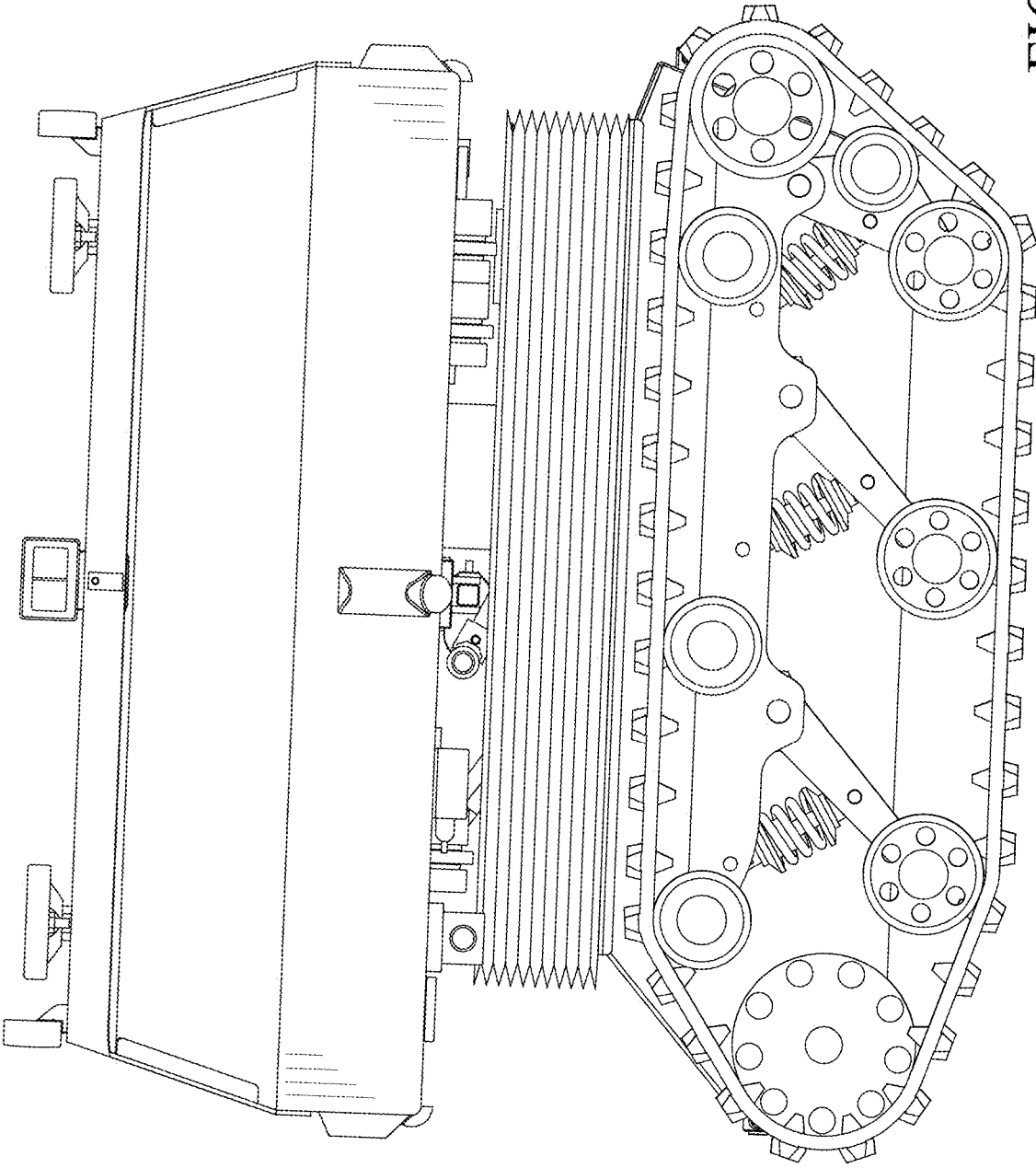


FIG. 3

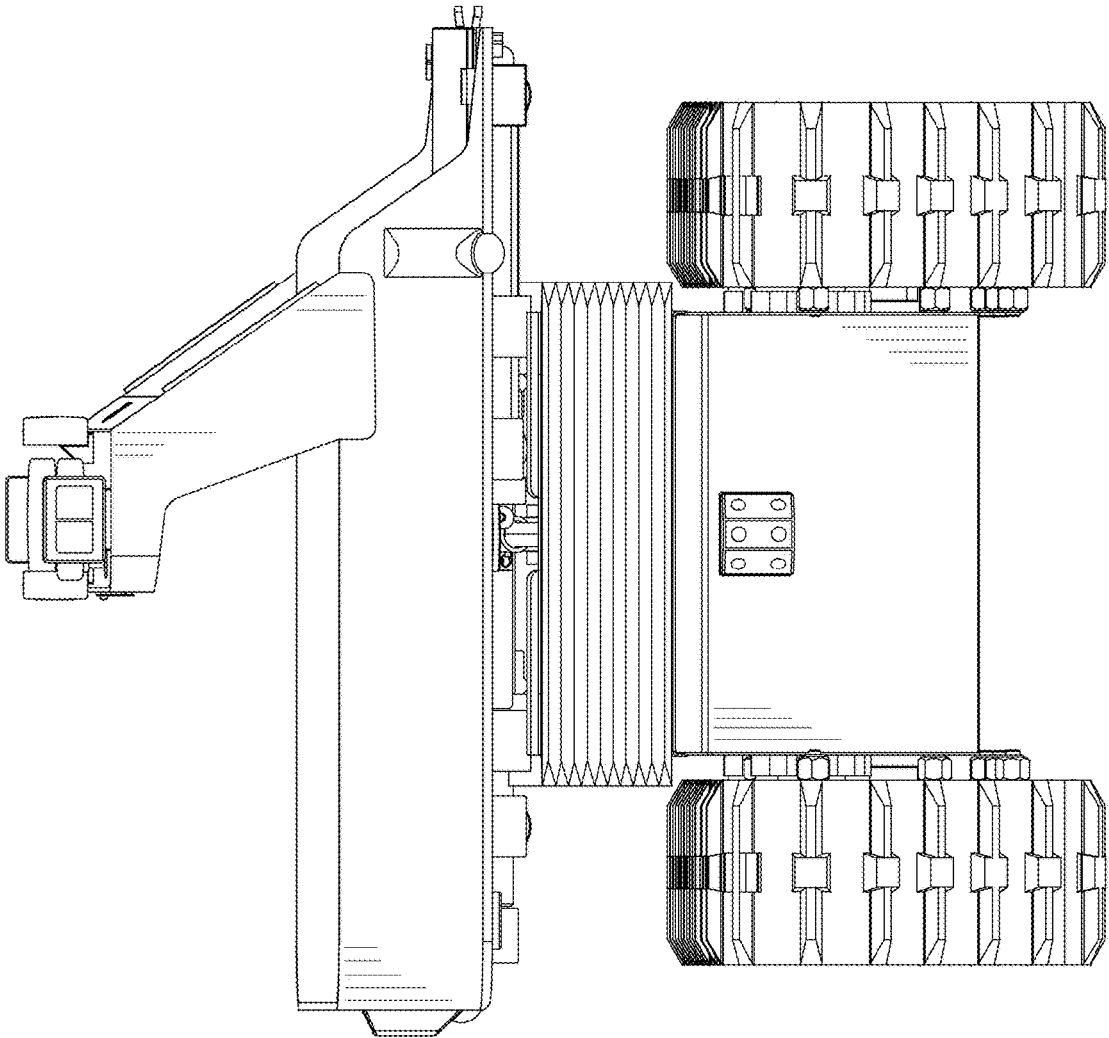


FIG. 4

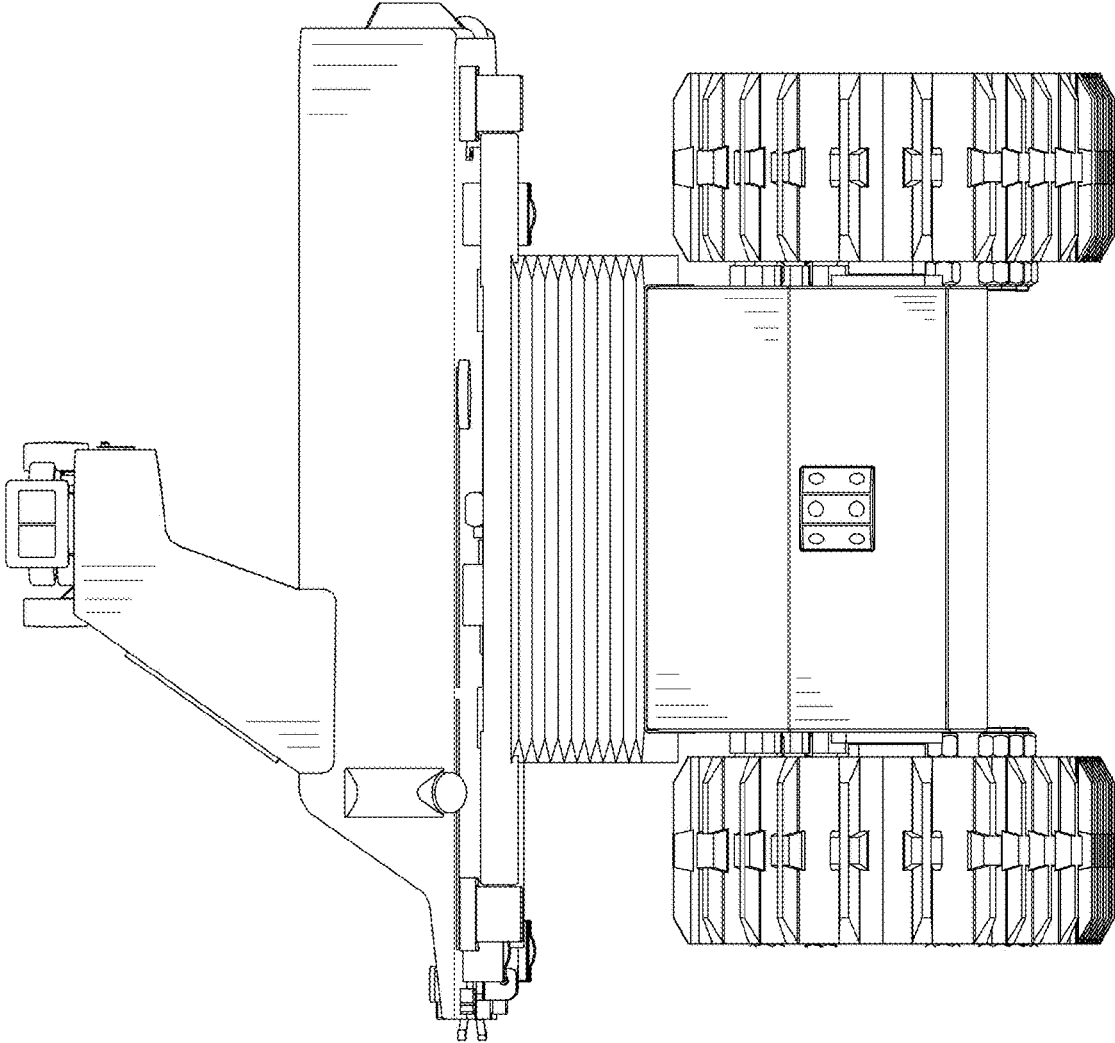
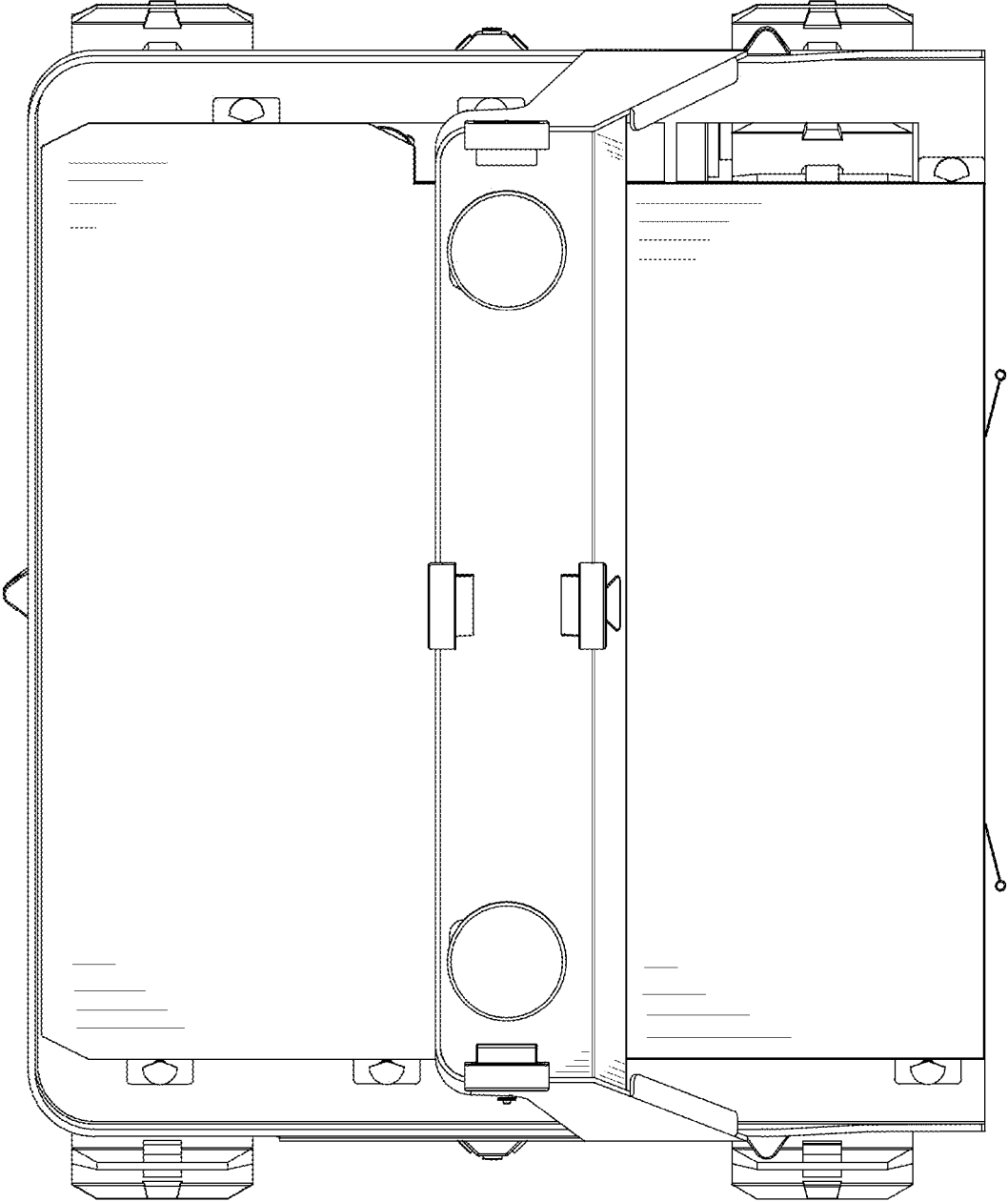


FIG. 5

FIG. 6





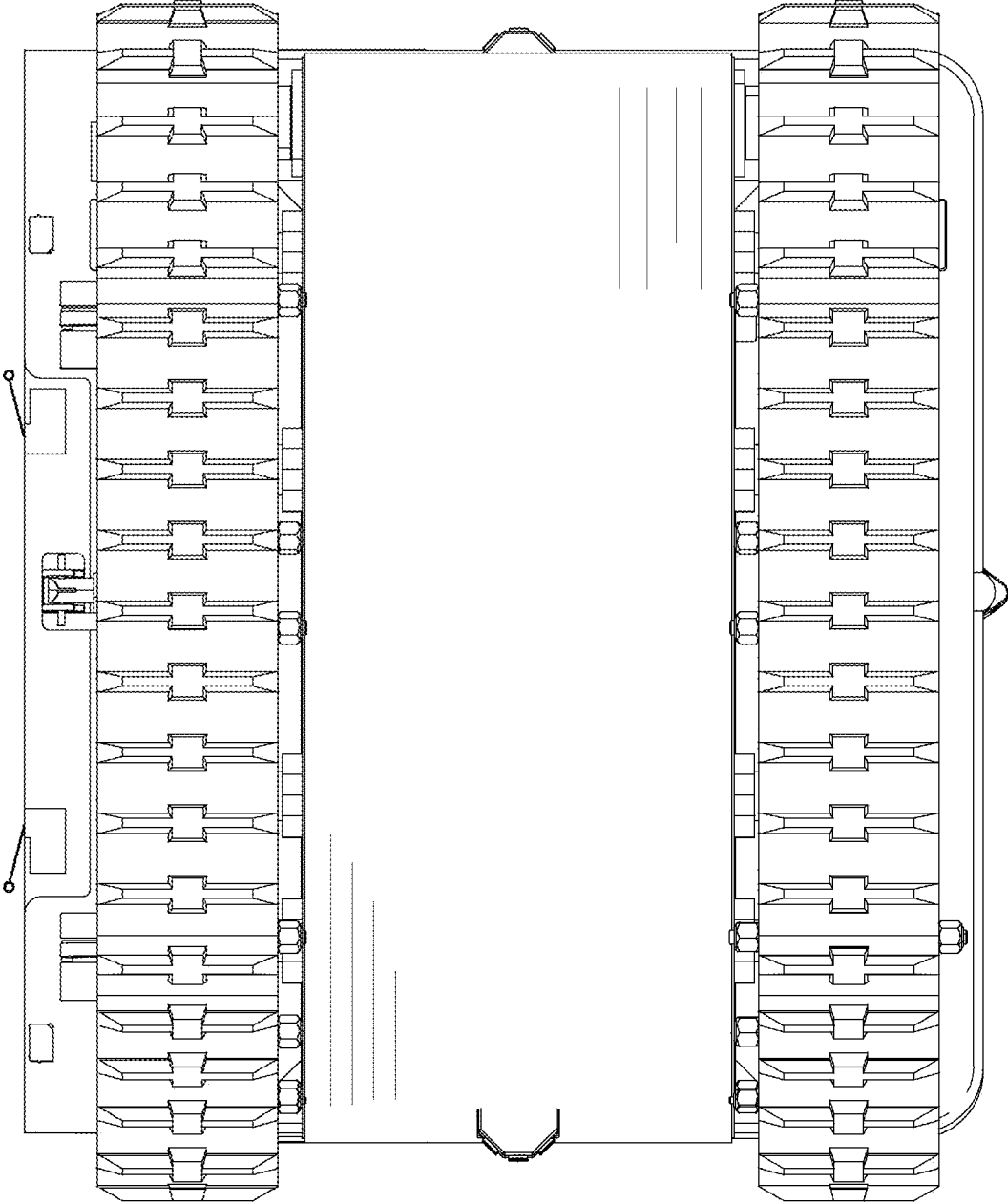


FIG. 7

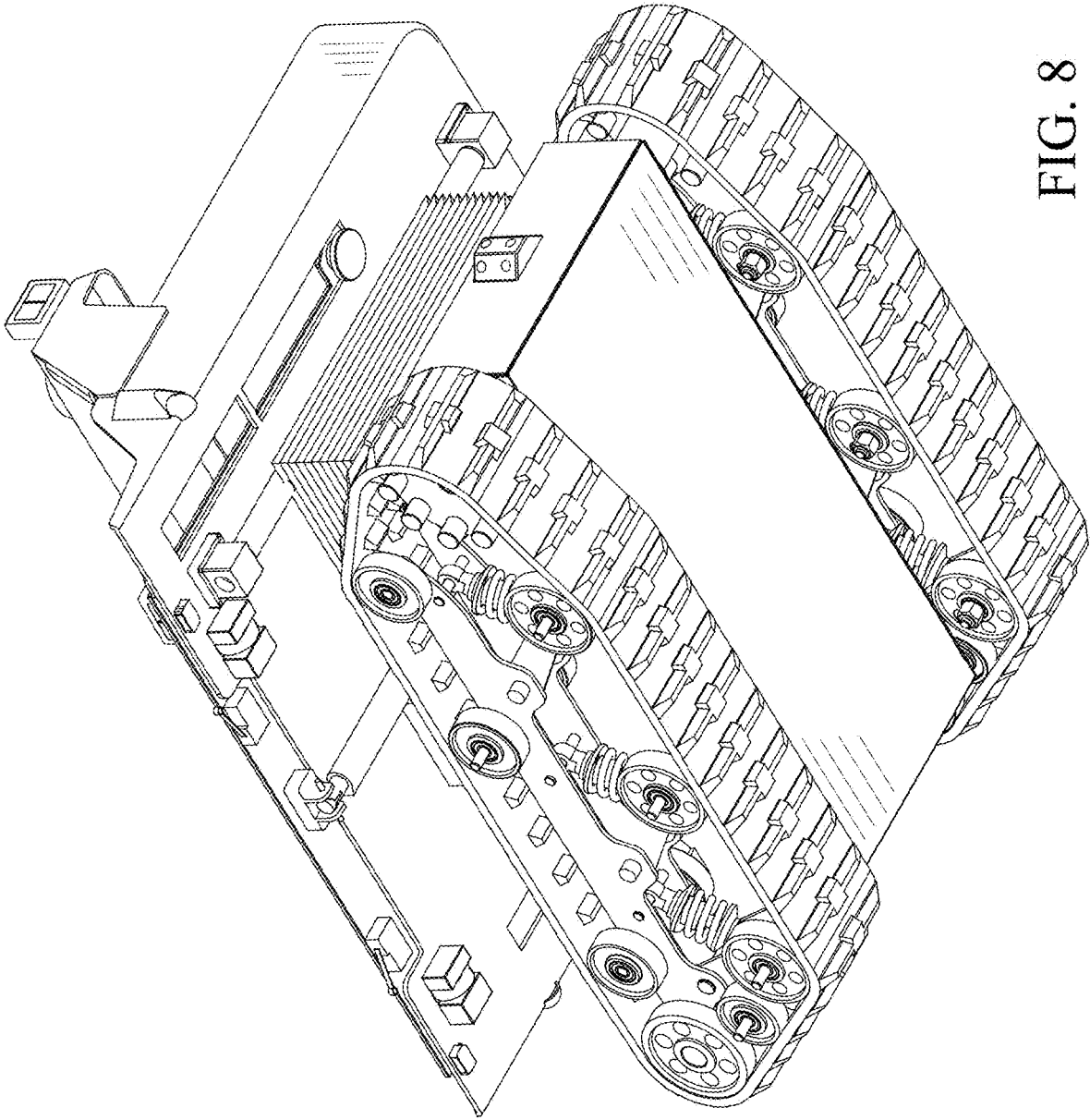


FIG. 8

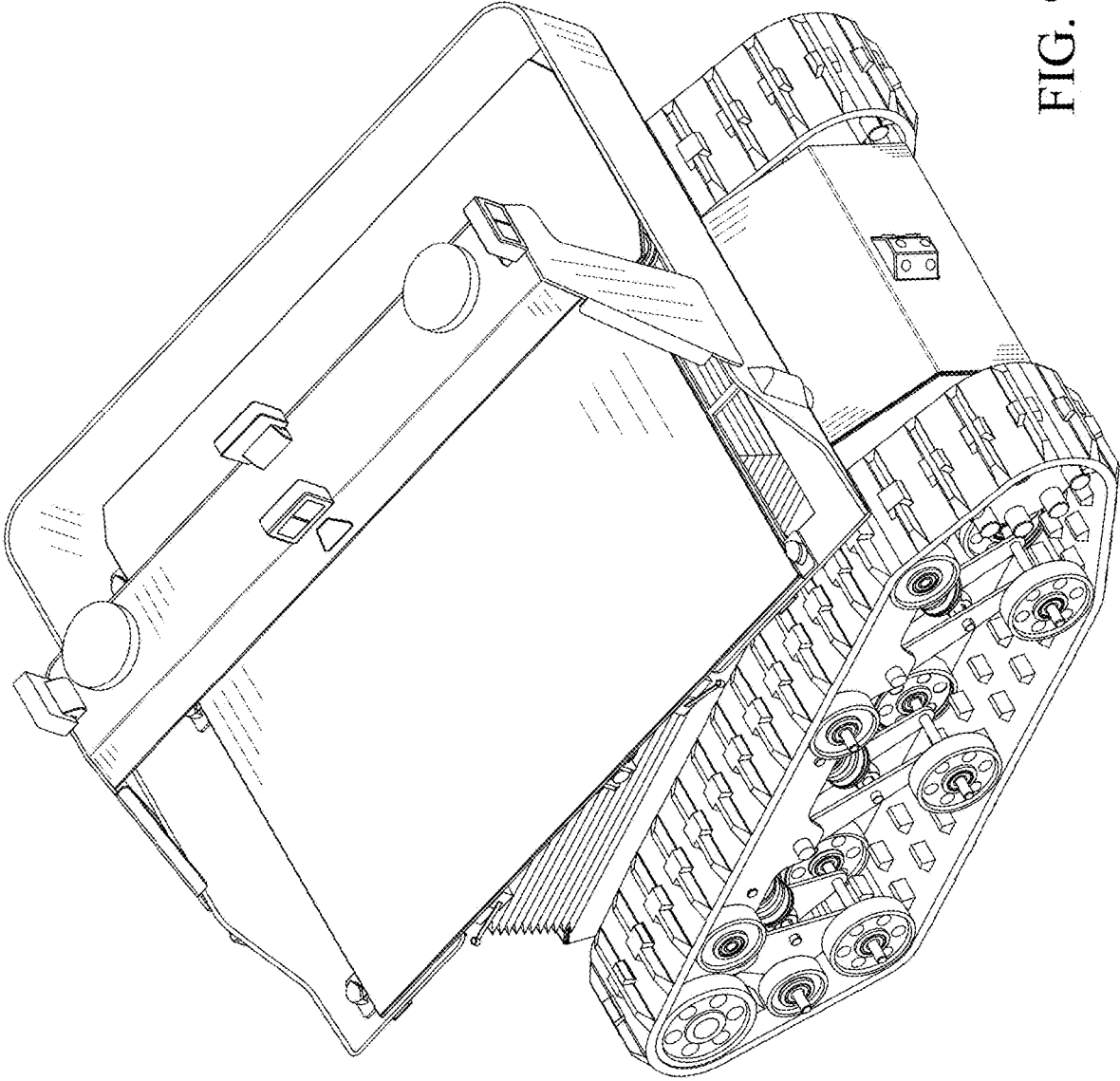


FIG. 9

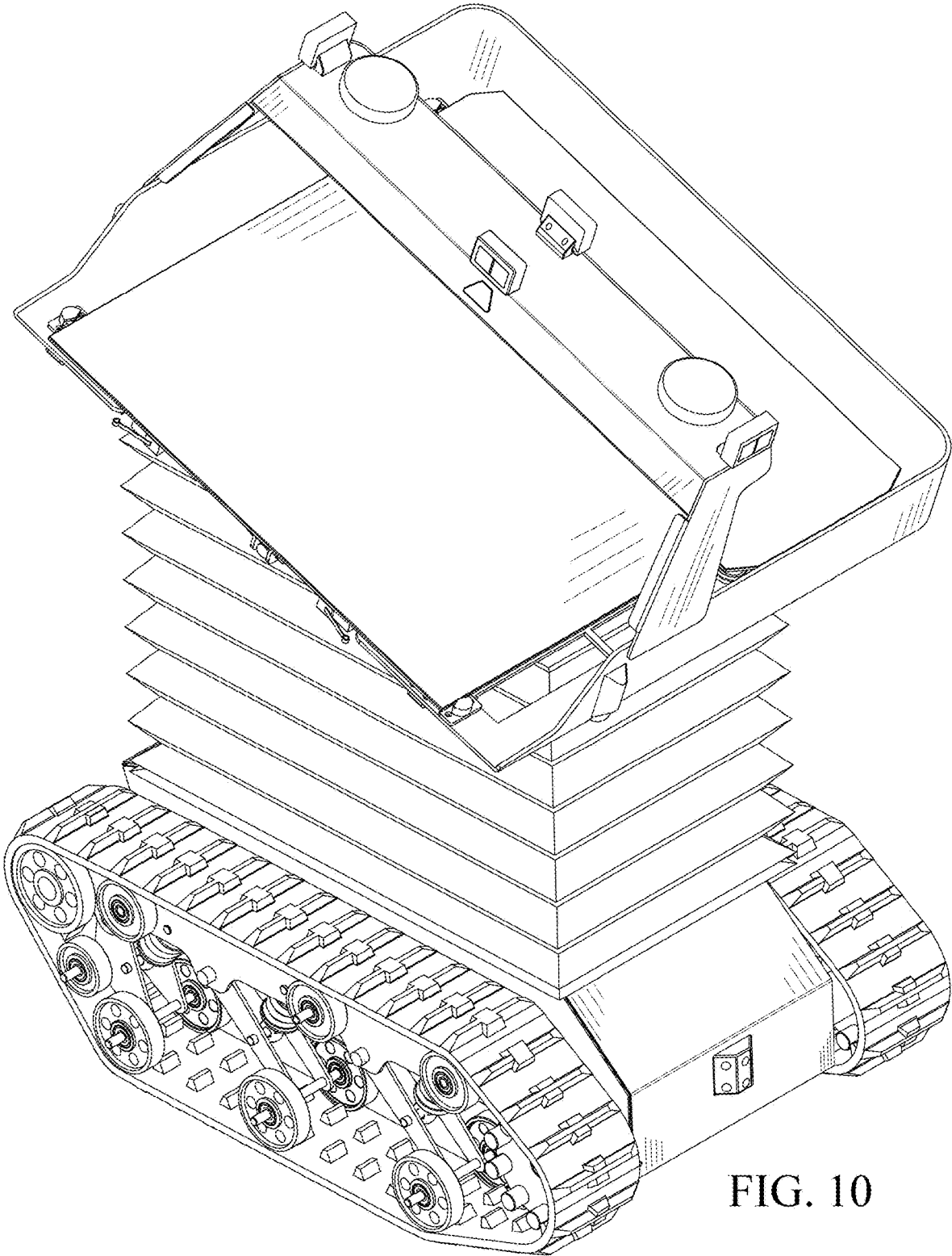


FIG. 10