



US00D433934S

# United States Patent [19] Gatti

[11] **Patent Number: Des. 433,934**

[45] **Date of Patent: \*\* Nov. 21, 2000**

[54] **PERFUME BOTTLE**

[75] Inventor: **Angelo Gatti**, Biassono, Italy

[73] Assignee: **Micys Company S.p.A.**, Italy

[\*\*] Term: **14 Years**

[21] Appl. No.: **29/114,715**

[22] Filed: **Nov. 30, 1999**

[30] **Foreign Application Priority Data**

Jun. 2, 1999 [IT] Italy ..... MI99O0327

[51] **LOC (7) Cl.** ..... **09-01**

[52] **U.S. Cl.** ..... **D9/336**

[58] **Field of Search** ..... D9/335, 336; D11/117,  
D11/144, 146, 152; 428/24-26

[56] **References Cited**

**U.S. PATENT DOCUMENTS**

D. 110,790 8/1938 Ansell ..... D9/336

- D. 336,447 6/1993 Horvath ..... D11/146
- D. 337,264 7/1993 Paglina ..... D9/336
- D. 354,907 1/1995 Rosen ..... D9/307
- D. 405,359 2/1999 Thierry et al. .... D9/336
- D. 413,546 9/1999 Gasper ..... D11/146

*Primary Examiner*—Terry A. Wallace  
*Attorney, Agent, or Firm*—Steinberg & Raskin, P.C.

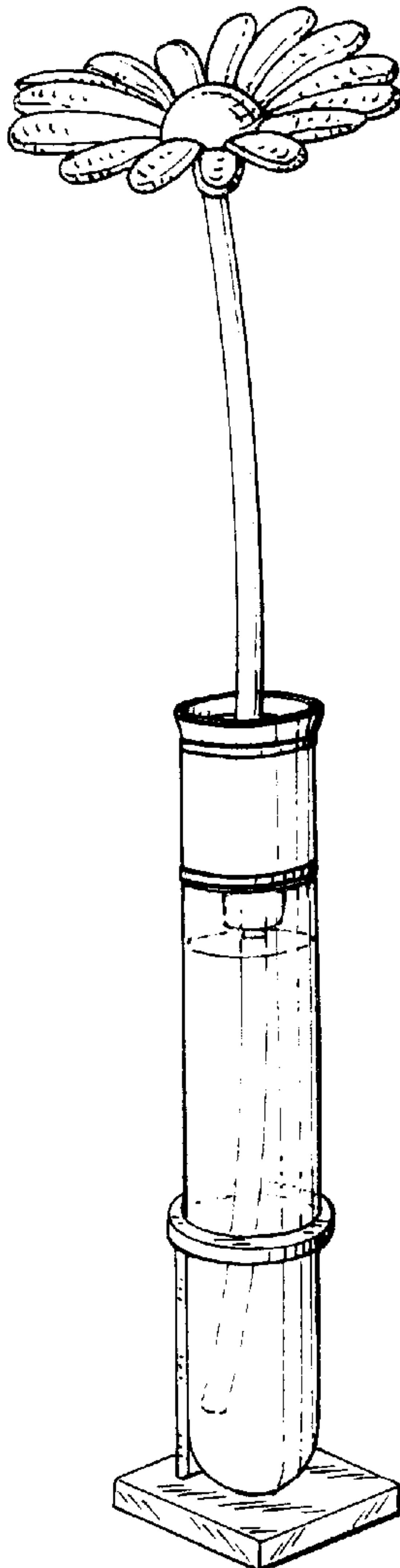
[57] **CLAIM**

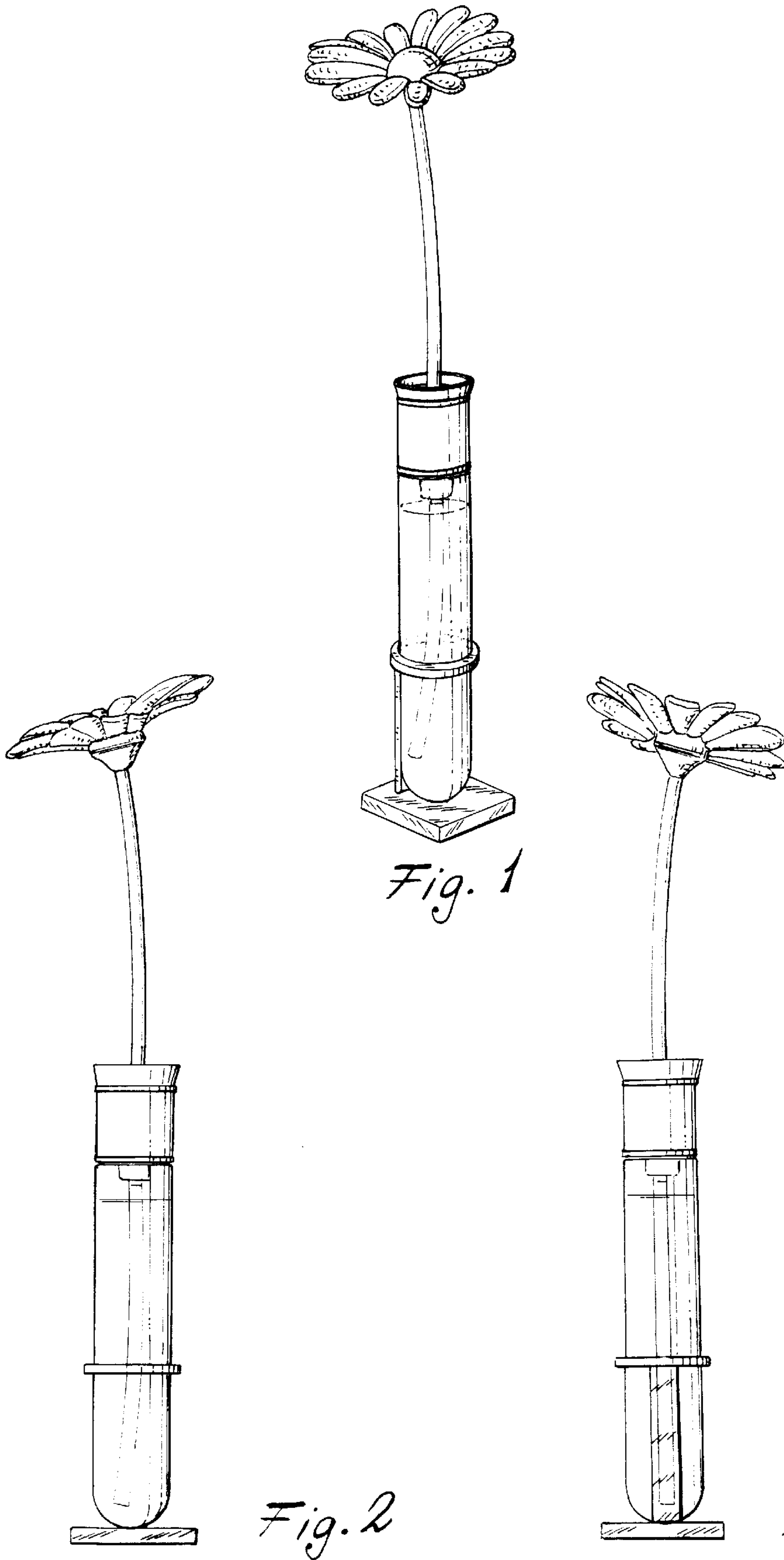
I claim the ornamental design for a perfume bottle, as shown.

**DESCRIPTION**

FIG. 1 is a perspective view of a perfume bottle showing my new design;  
FIG. 2 is a front view thereof;  
FIG. 3 is a rear view thereof;  
FIG. 4 is a left side view thereof;  
FIG. 5 is a right side view thereof;  
FIG. 6 is a top view thereof; and,  
FIG. 7 is a bottom view thereof.

**1 Claim, 2 Drawing Sheets**

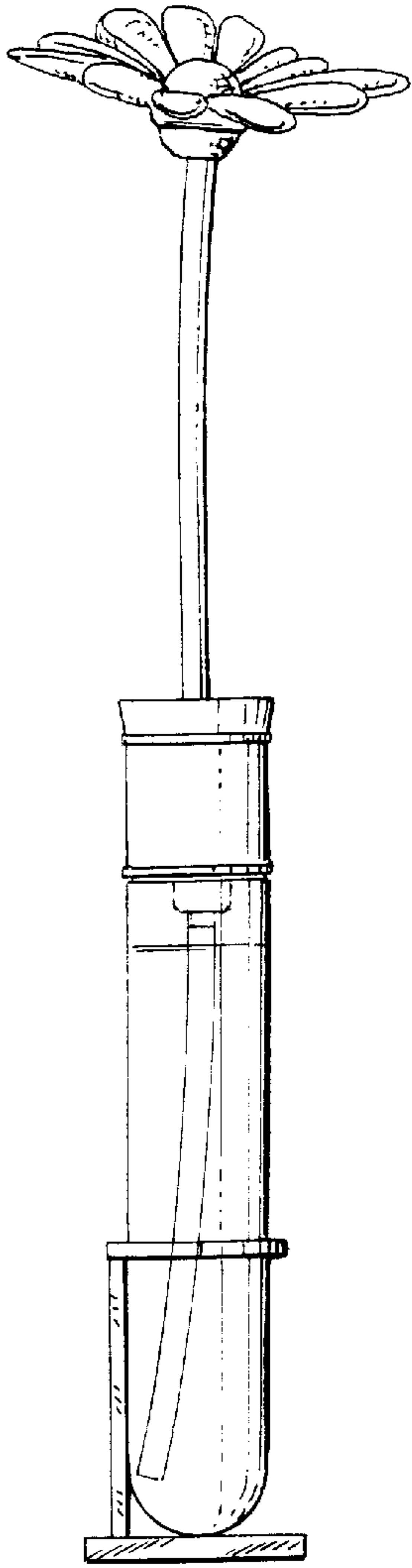




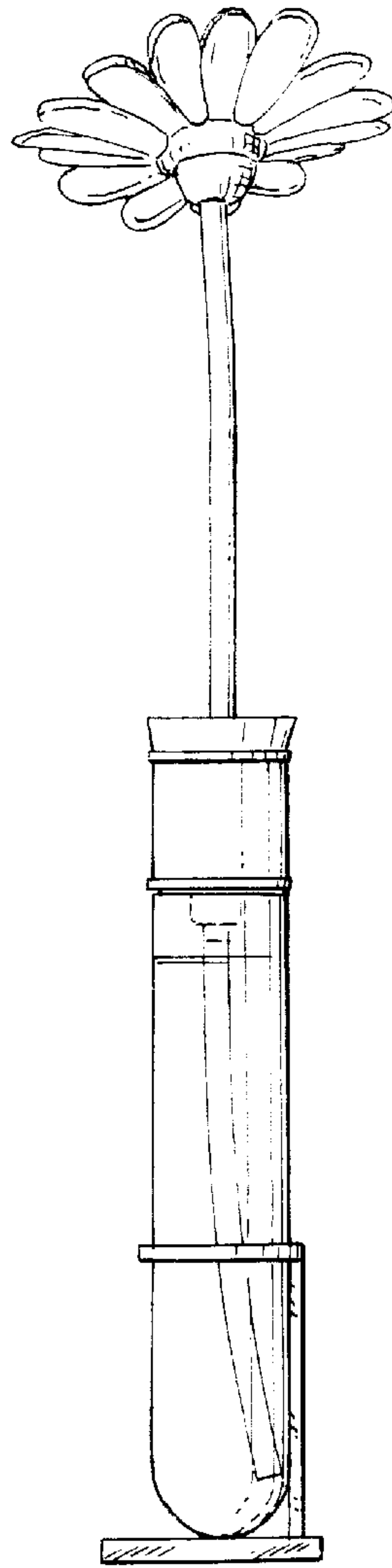
*Fig. 1*

*Fig. 2*

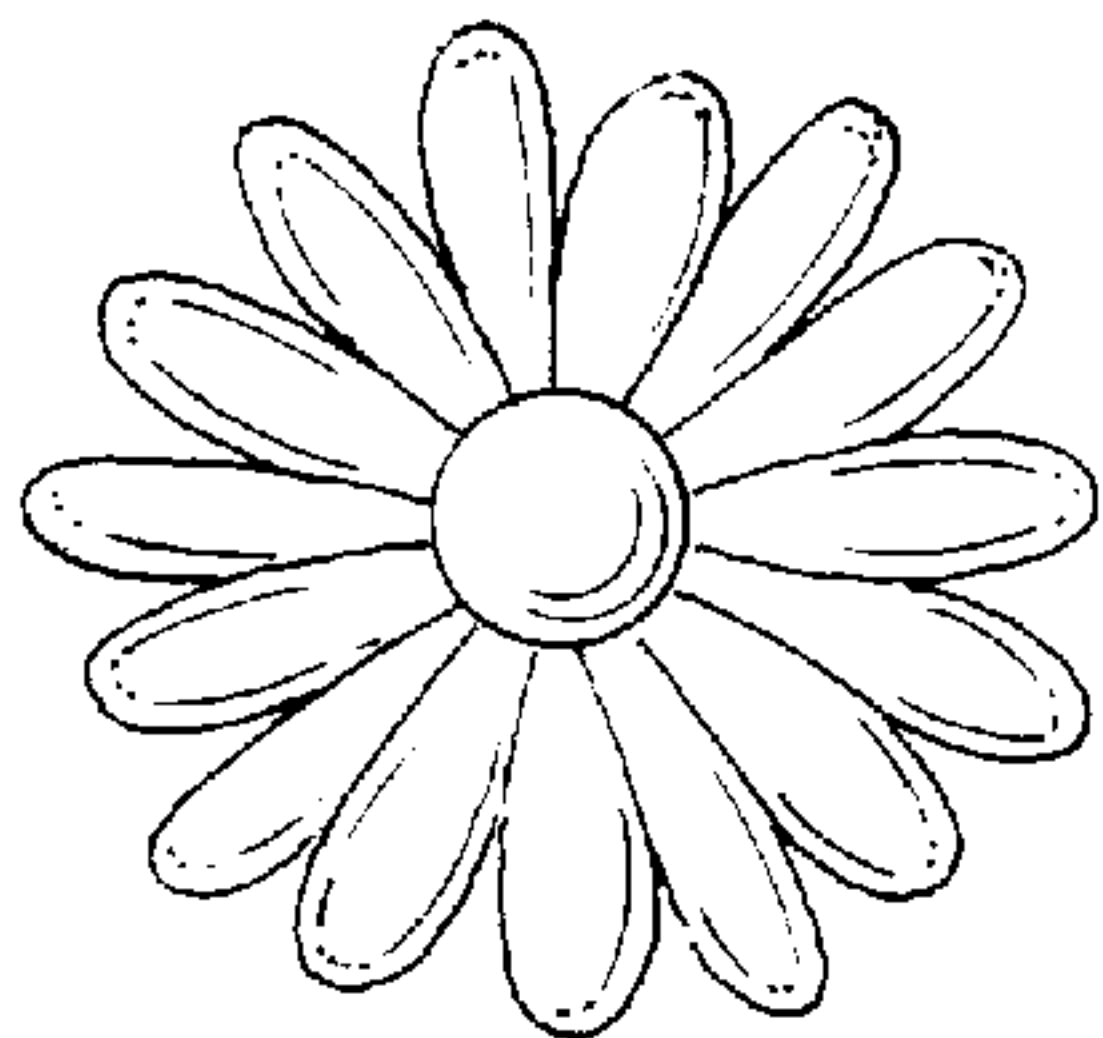
*Fig. 3*



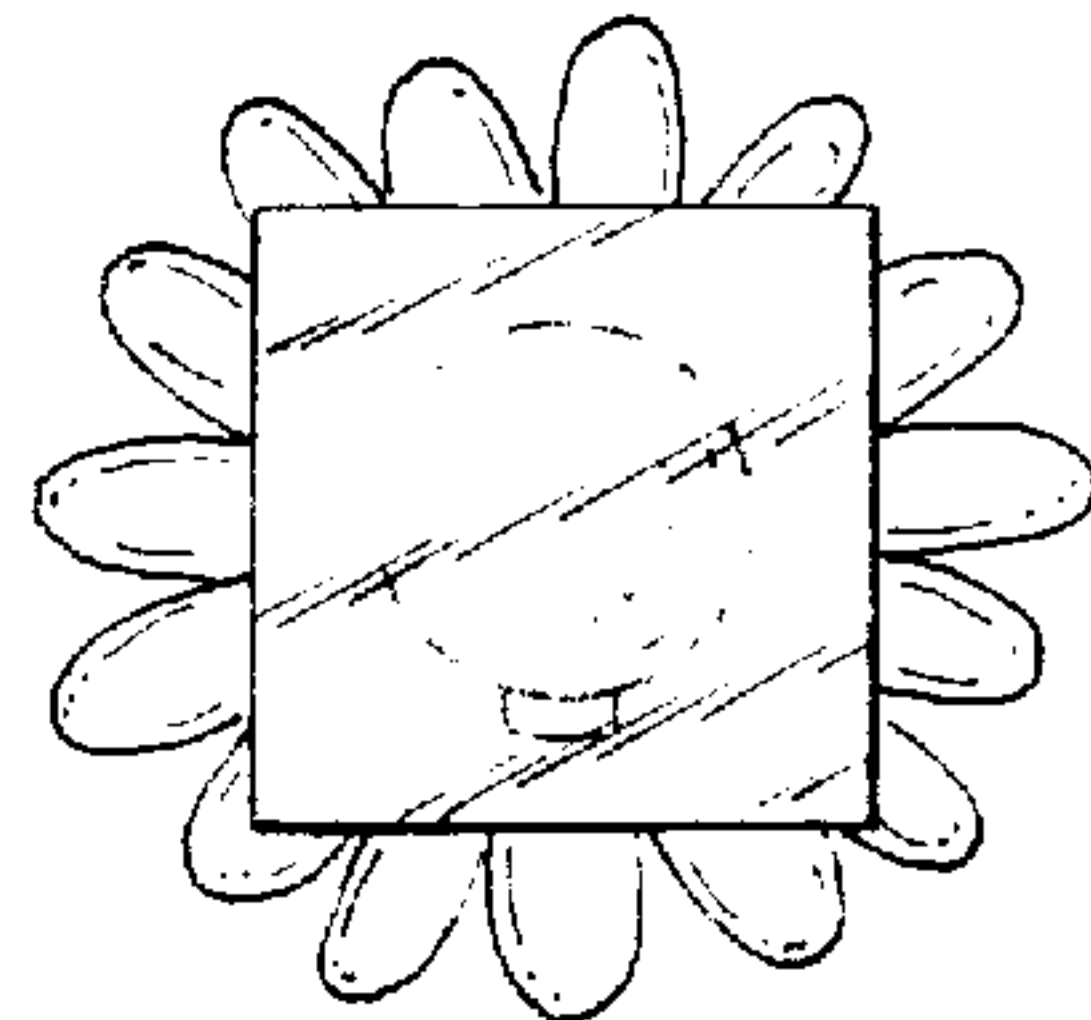
*Fig. 4*



*Fig. 5*



*Fig. 6*



*Fig. 7*