



US00D619130S

(12) **United States Design Patent**
Fellig

(10) **Patent No.:** **US D619,130 S**

(45) **Date of Patent:** **** Jul. 6, 2010**

(54) **CELL PHONE SKIN CASE**

D603,603 S * 11/2009 Laine et al. D3/218

(76) Inventor: **Zalman Fellig**, 866 Eastern Pkwy.,
Brooklyn, NY (US) 11213

(Continued)

(**) Term: **14 Years**

(21) Appl. No.: **29/340,184**

(22) Filed: **Jul. 15, 2009**

(51) **LOC (9) Cl.** **14-03**

(52) **U.S. Cl.** **D14/250**

(58) **Field of Classification Search** D14/140,
D14/142, 167, 217, 218, 240, 242, 248, 250–253,
D14/299, 341–347, 440; D3/200–201, 215,
D3/218–219, 226, 228, 269, 301, 272–273,
D3/276, 294; D13/103, 107–108, 119; 220/4.02;
224/191, 240, 241, 245, 682–683; 248/206.2–206.4,
248/220.21, 279.1, 309.1; 361/679.3, 679.56;
379/420.04, 426, 433.11, 446–447, 454,
379/455; 455/575.1, 575.6, 575.7, 575.8,
455/575.9; 190/100; 206/305, 320

See application file for complete search history.

(56) **References Cited**

U.S. PATENT DOCUMENTS

- 5,995,622 A * 11/1999 Roussy et al. 379/446
- D484,874 S * 1/2004 Chang et al. D14/250
- D556,681 S * 12/2007 Kim D13/103
- D561,092 S * 2/2008 Kim D13/103
- D563,093 S * 3/2008 Nussberger D3/201
- D565,291 S * 4/2008 Brandenburg et al. D3/218
- D569,607 S * 5/2008 Calco et al. D3/201
- D574,819 S * 8/2008 Andre et al. D14/250
- D575,056 S * 8/2008 Tan D3/218
- D587,896 S * 3/2009 Aipa D3/201
- D593,319 S * 6/2009 Richardson et al. D3/218
- D593,746 S * 6/2009 Richardson et al. D3/201
- D593,750 S * 6/2009 Song D3/269
- D597,089 S * 7/2009 Khan et al. D14/250
- D600,908 S * 9/2009 Richardson et al. D3/218

OTHER PUBLICATIONS

Cell Phone Skin, Silicone Case for Blackberry, Mobile Phone Pouch,
<URL: http://www.alibaba.com/product-gs/267276554/cell_phone_skin_silicone_case_for.html>, retrieved from internet Feb. 10, 2010.*

(Continued)

Primary Examiner—Ian Simmons
Assistant Examiner—Carla Jobe Wright
(74) *Attorney, Agent, or Firm*—Israel Nissenbaum

(57) **CLAIM**

The ornamental design for a cell phone skin case, as shown and described.

DESCRIPTION

FIG. 1 is a front perspective view of the cell phone skin case, showing my new design;

FIG. 2 is a rear perspective view of the cell phone skin case of FIG. 1;

FIG. 3 is a front elevation view of the cell phone skin case of FIG. 1;

FIG. 4 is a left elevation view of the cell phone skin case of FIG. 1;

FIG. 5 is a right elevation view of the cell phone skin case of FIG. 1;

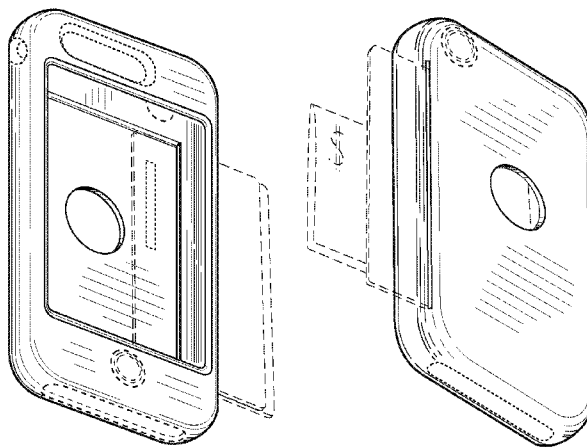
FIG. 6 is a rear elevation view of the cell phone skin case of FIG. 1;

FIG. 7 is a top plan view of the cell phone skin case of FIG. 1; and,

FIG. 8 is a bottom plan view of the cell phone skin case of FIG. 1.

In the drawing, the broken lines depict unclaimed environment.

1 Claim, 3 Drawing Sheets



US D619,130 S

Page 2

U.S. PATENT DOCUMENTS

7,612,997 B1 * 11/2009 Diebel et al. 361/679.56
D606,528 S * 12/2009 Khan et al. D14/250
D606,529 S * 12/2009 Ferrari et al. D14/250
D609,228 S * 2/2010 Ferrari et al. D14/250
D609,463 S * 2/2010 Bullen D3/218
D609,464 S * 2/2010 Bullen D3/218
2009/0111543 A1 * 4/2009 Tai et al. 455/575.8

2009/0247244 A1 * 10/2009 Mittleman et al. 455/575.1

OTHER PUBLICATIONS

Cell phone silicone skin, <URL :http://www.alibaba.com/product-gs/272150436/cell_phone_silicone_skin.html>, retrieved from internet Feb. 10, 2010.*

* cited by examiner

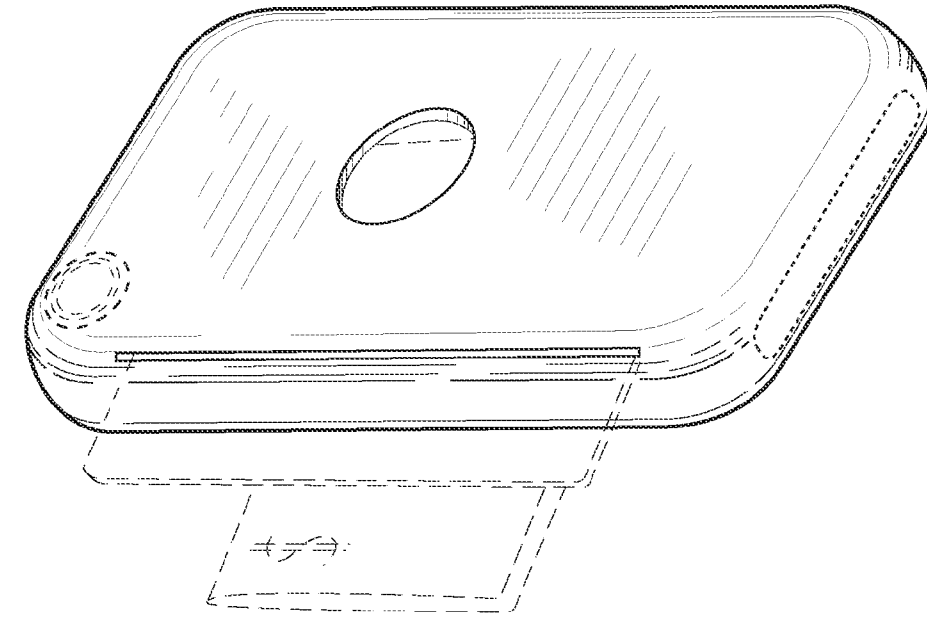


FIG. 2

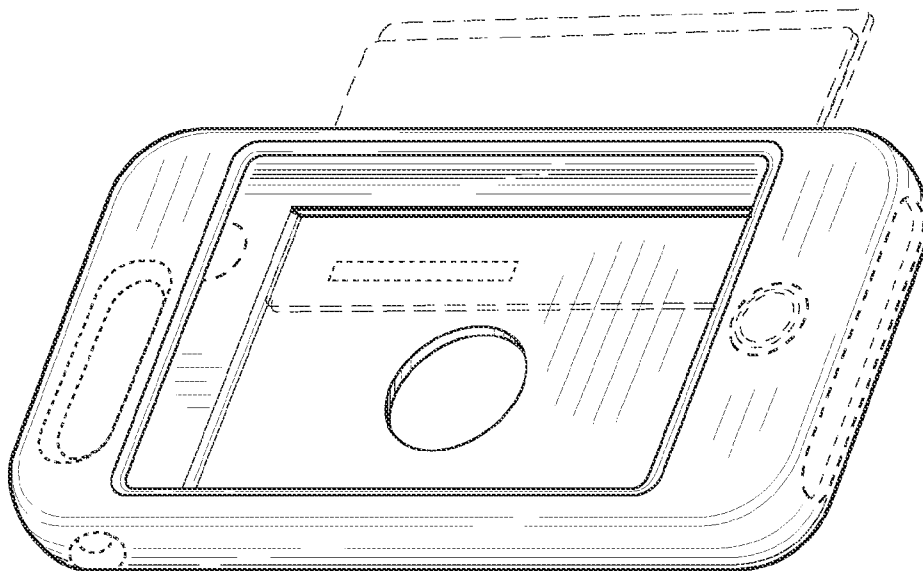


FIG. 1



FIG. 5

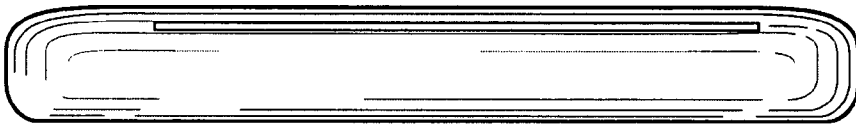


FIG. 4

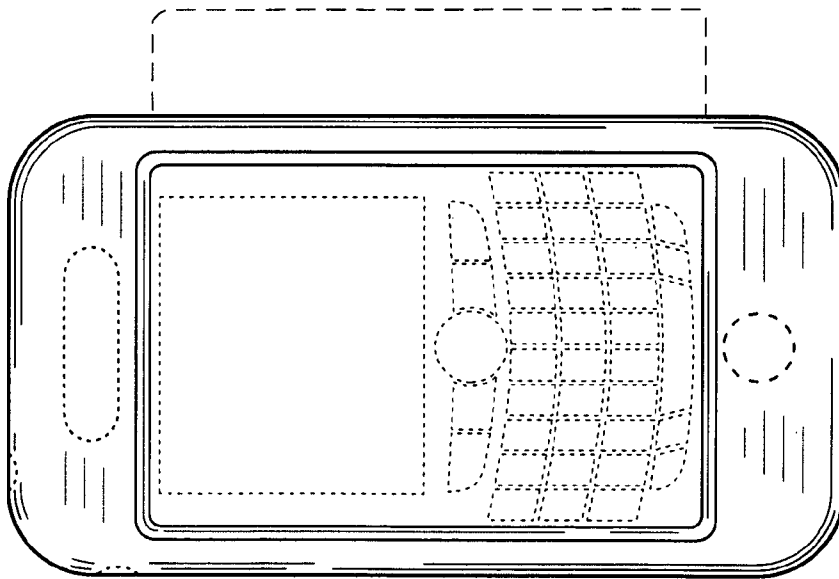


FIG. 3



FIG. 7

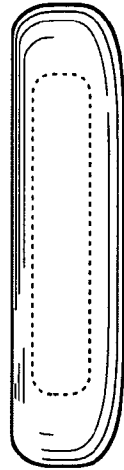


FIG. 8

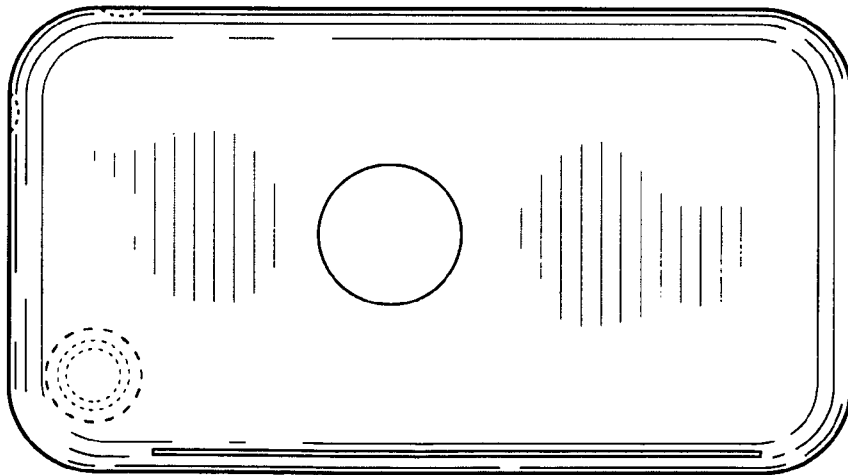


FIG. 6