

[54] LUGGAGE

D. 126,626	4/1941	Katz	D3/76
D. 129,108	8/1941	Sprague	D3/70
D. 199,833	12/1964	Judson	D3/76
D. 250,365	11/1978	Suzuki	D3/53

[75] Inventor: Henry L. Vuitton, Paris, France

[73] Assignee: Louis Vuitton S.A., Paris, France

[**] Term: 14 Years

[21] Appl. No.: 601,903

[22] Filed: Apr. 19, 1984

[30] Foreign Application Priority Data

Oct. 20, 1983	[FR]	France	833817
Mar. 29, 1984	[FR]	France	841426
[52]	U.S. Cl.	D3/71; D3/76	
[58]	Field of Search	D3/30.1, 42, 47, 70, D3/76, 77, 71, 53; 190/100, 103-105, 110, 115	

[56] References Cited

U.S. PATENT DOCUMENTS

D. 36,300	4/1903	Rock	D3/70
D. 82,782	12/1930	Apter	D3/70
D. 108,254	2/1938	Wheary	D3/76

OTHER PUBLICATIONS

Vogue, 6/50, p. 13.

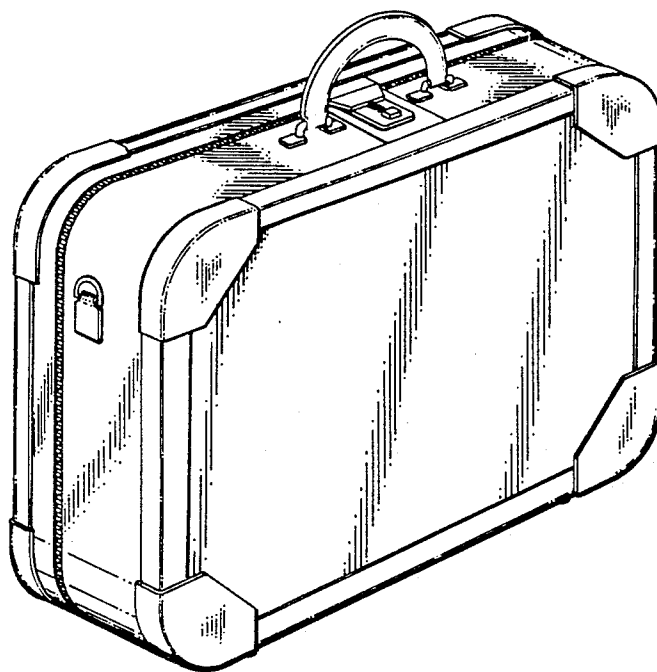
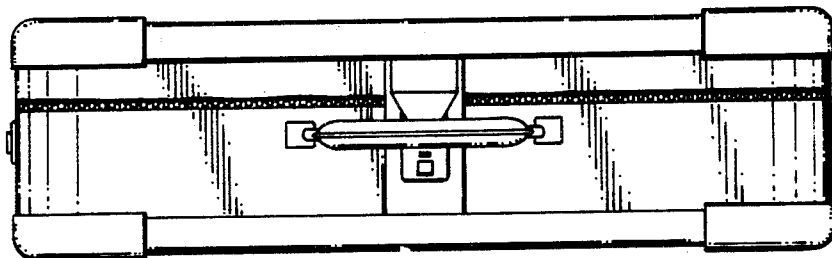
Primary Examiner—George P. Word
Attorney, Agent, or Firm—Merchant, Gould, Smith, Edell, Welter & Schmidt

CLAIM

[57] The ornamental design for luggage, as shown and described.

DESCRIPTION

FIG. 1 is a perspective view of luggage showing my new design;
FIG. 2 is a front elevational view thereof;
FIG. 3 is a rear elevational view thereof;
FIG. 4 is a left end elevational view thereof;
FIG. 5 is a top plan thereof; and
FIG. 6 is a bottom plan thereof.



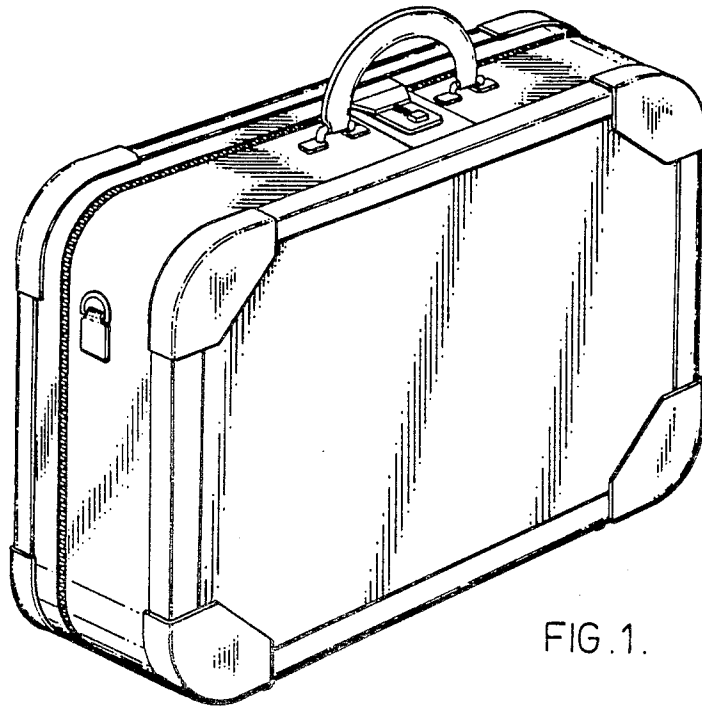


FIG. 1.

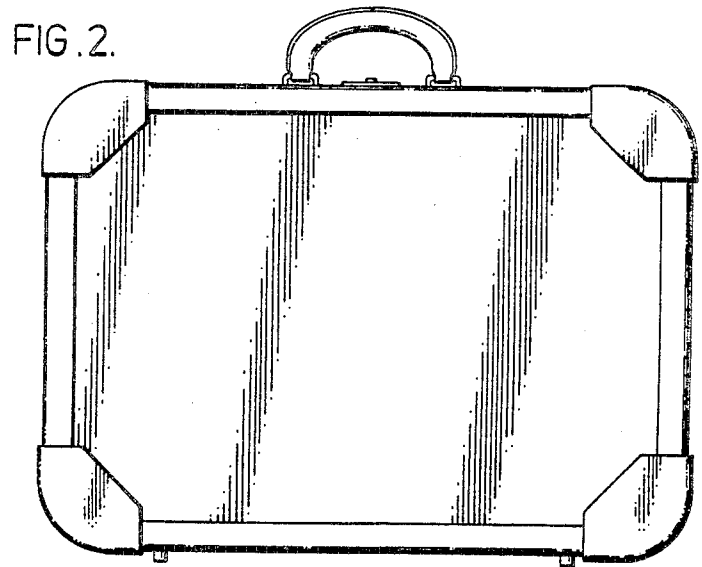


FIG. 2.

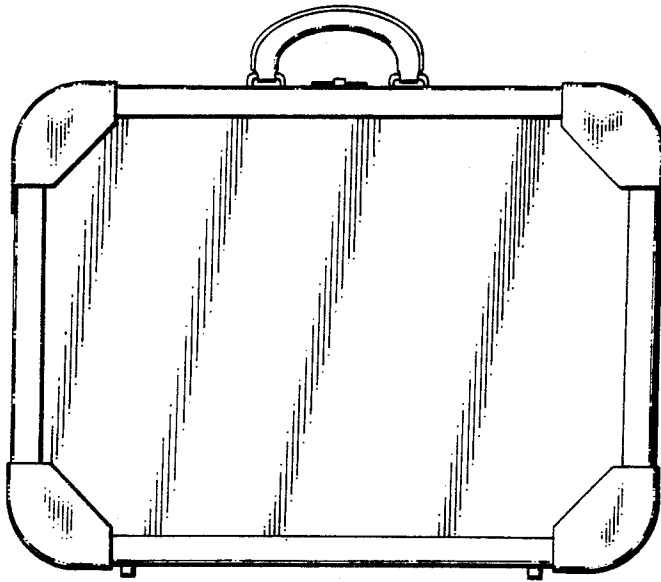


FIG. 3.

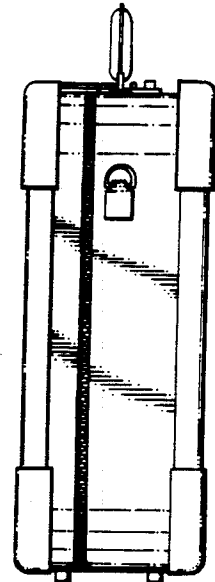


FIG. 4.

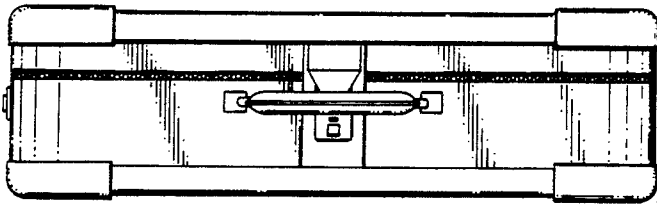


FIG. 5.

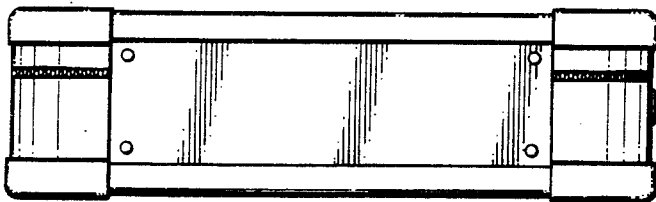


FIG. 6.