



US00D352765S

**United States Patent** [19]  
**Onishi**

[11] **Patent Number: Des. 352,765**

[45] **Date of Patent: \*\* Nov. 22, 1994**

[54] **SPINNING REEL**

[75] **Inventor: Kenji Onishi, Sakai, Japan**

[73] **Assignee: Shimano Inc., Osaka, Japan**

[\*\*] **Term: 14 Years**

[21] **Appl. No.: 948,939**

[22] **Filed: Sep. 15, 1992**

[52] **U.S. Cl. .... D22/141**

[58] **Field of Search ..... 242/224, 230, 231, 232,  
242/233, 245, 246, 247, 248; D22/141**

[56] **References Cited**

**U.S. PATENT DOCUMENTS**

- D. 330,245 10/1992 Shiozaki ..... D22/141
- D. 333,503 2/1993 Myojo ..... D22/141
- D. 333,504 2/1993 Myojo ..... D22/141

**OTHER PUBLICATIONS**

Cabela's Spring 1991, p. 23, ©1989, Shimano Solstace and GTX Speedmaster Reels.

*Primary Examiner*—A. Hugo Word

*Assistant Examiner*—Doris V. Coles

*Attorney, Agent, or Firm*—Dickstein, Shapiro & Morin

[57]

**CLAIM**

The ornamental design for a spinning reel, as shown and described.

**DESCRIPTION**

FIG. 1 is a front view of my spinning reel;

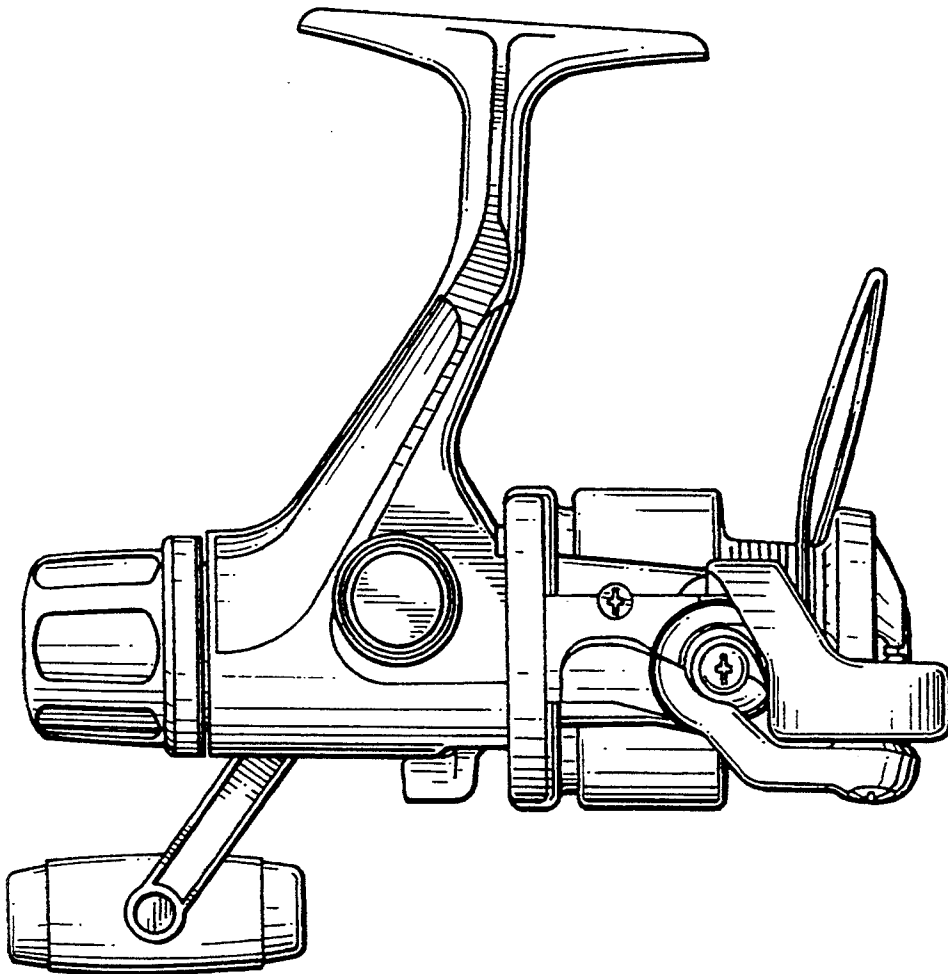
FIG. 2 is a top plan view thereof;

FIG. 3 is a left side view thereof;

FIG. 4 is a right side view thereof;

FIG. 5 is a bottom plan view thereof; and,

FIG. 6 is a rear view thereof.



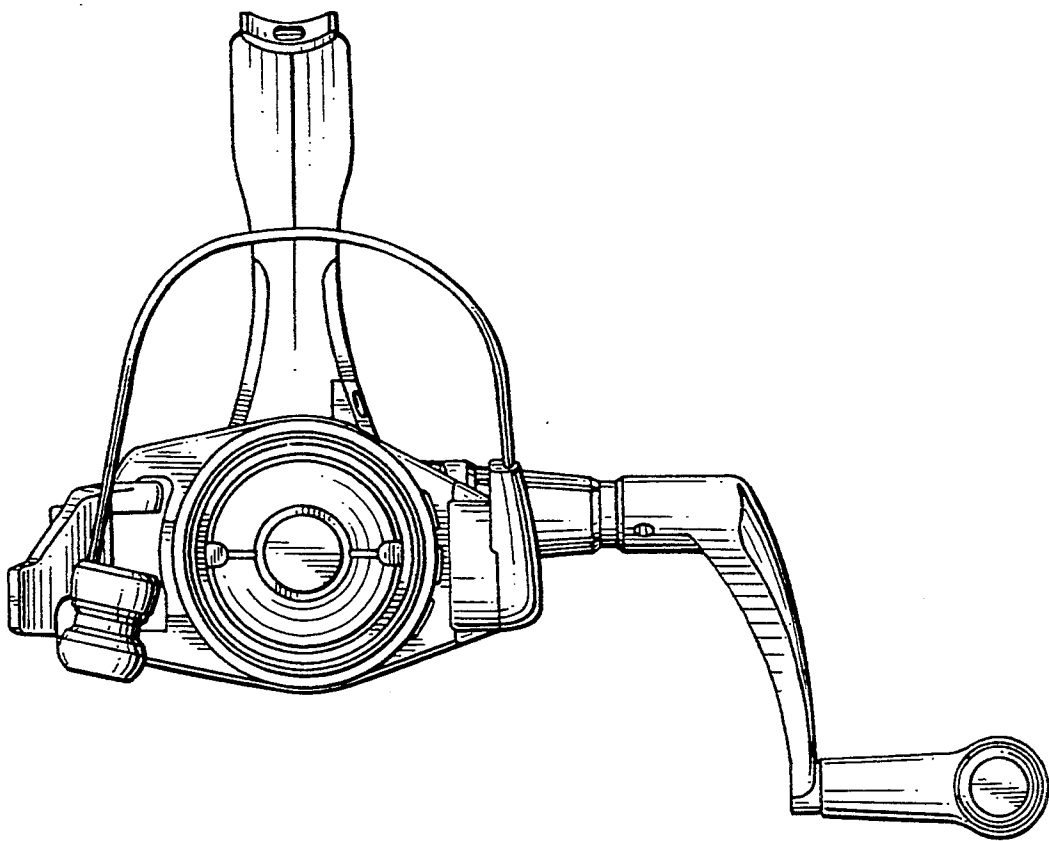


FIG. 1

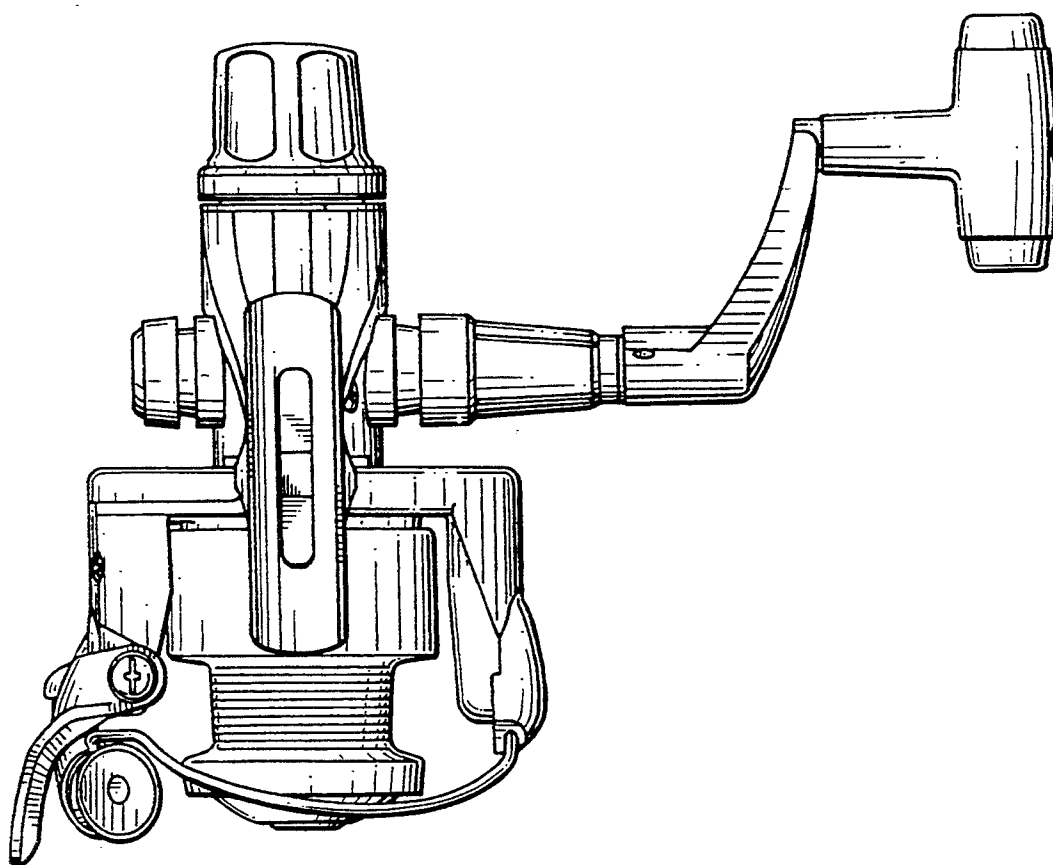


FIG. 2

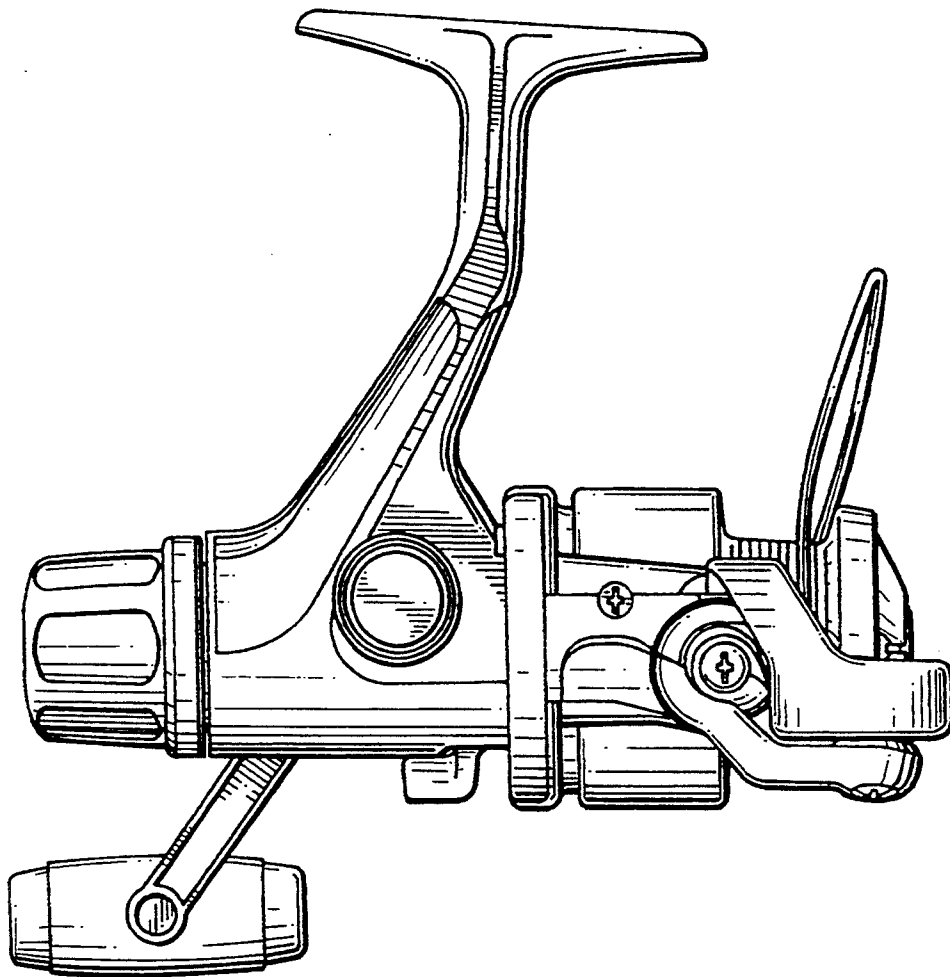


FIG. 3

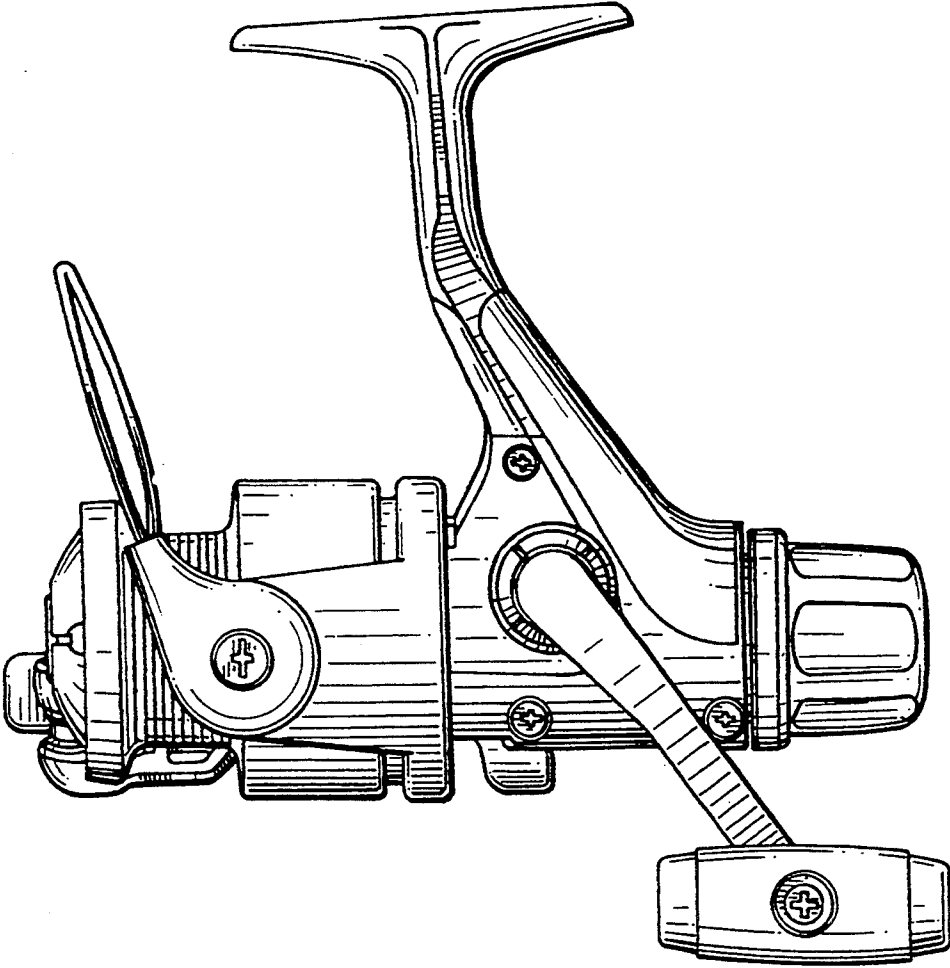


FIG. 4

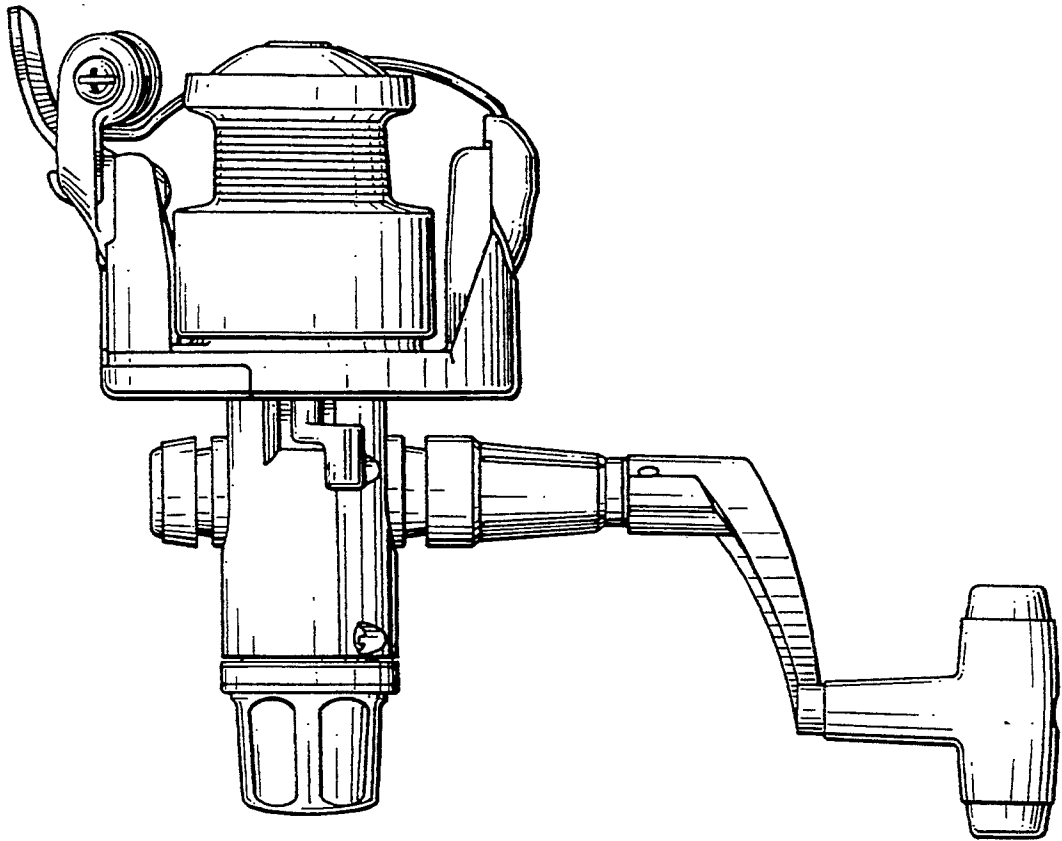


FIG. 5

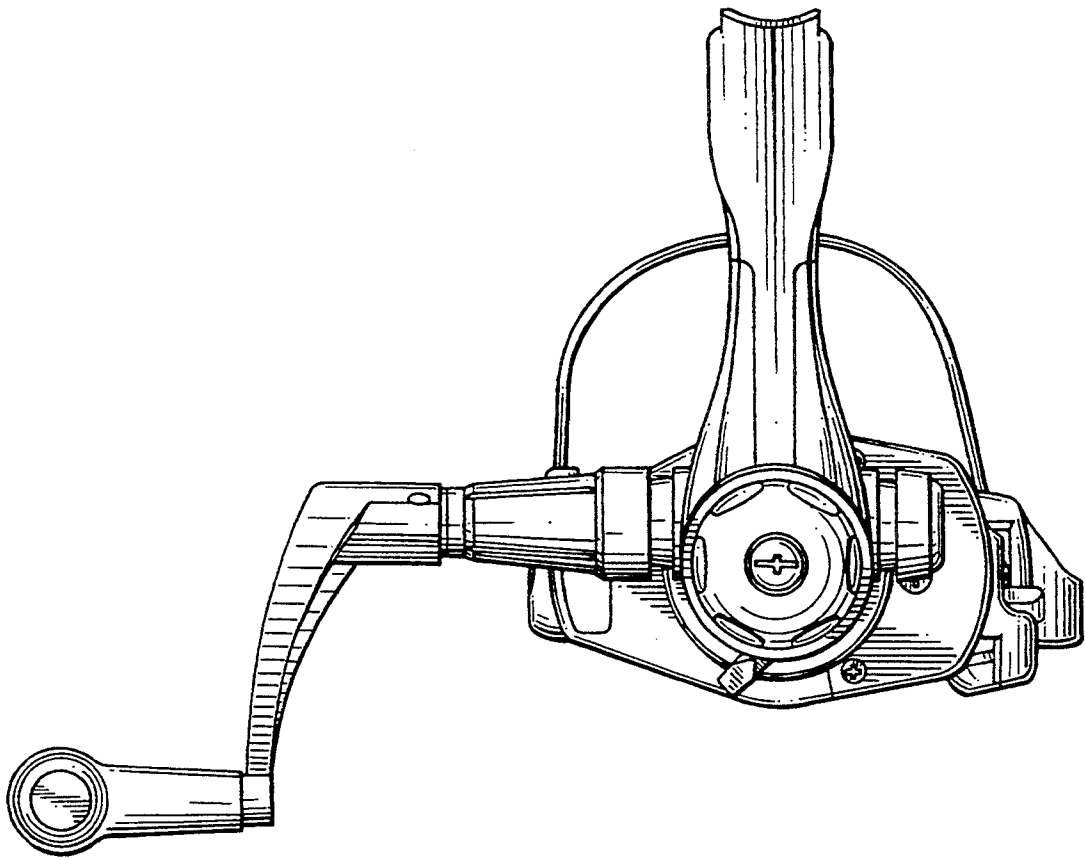


FIG. 6