



US00D732504S

(12) **United States Design Patent**
Funayama

(10) **Patent No.:** **US D732,504 S**

(45) **Date of Patent:** **** Jun. 23, 2015**

(54) **HEADPHONE**

(71) Applicant: **PIONEER CORPORATION**,
Kawasaki-shi, Kanagawa (JP)

(72) Inventor: **Tatsufumi Funayama**, Kawasaki (JP)

(73) Assignee: **PIONEER CORPORATION**,
Kawasaki-shi, Kanagawa (JP)

(**) Term: **14 Years**

(21) Appl. No.: **29/491,427**

(22) Filed: **May 21, 2014**

(30) **Foreign Application Priority Data**

Mar. 3, 2014 (JP) 2014-004463

(51) **LOC (10) Cl.** **14-01**

(52) **U.S. Cl.**
USPC **D14/205**

(58) **Field of Classification Search**
USPC D14/205, 223; D29/112; 2/209;
181/129, 130, 135; 379/430, 431;
381/380, 381; 455/90.3, 575.1
CPC H04R 1/1066
See application file for complete search history.

(56) **References Cited**

U.S. PATENT DOCUMENTS

- D328,074 S * 7/1992 Yamazaki et al. D14/205
- D453,015 S * 1/2002 Yuyama D14/205
- D456,383 S * 4/2002 Chen D14/188
- D467,895 S * 12/2002 Hirano D14/192
- 6,493,453 B1 * 12/2002 Glendon 381/322
- D484,485 S * 12/2003 Matsuoka D14/205
- D491,163 S * 6/2004 Green D14/205
- D504,414 S * 4/2005 Yoshida D14/192
- D505,414 S * 5/2005 Ko et al. D14/223
- D540,302 S * 4/2007 Hagiwara et al. D14/205
- D557,684 S * 12/2007 Pundsack et al. D14/205
- D585,870 S * 2/2009 Zheng et al. D14/205
- D585,871 S * 2/2009 Lee D14/205
- D592,182 S * 5/2009 Sanguinetti D14/205

- D592,640 S * 5/2009 Tkachuk D14/205
- D625,705 S * 10/2010 Ohori et al. D14/205
- D632,668 S * 2/2011 Brunner et al. D14/205
- D637,176 S * 5/2011 Brunner et al. D14/205
- D643,833 S * 8/2011 Lee et al. D14/223
- D652,406 S * 1/2012 Lee et al. D14/205
- D657,344 S * 4/2012 Brunner et al. D14/205
- D660,824 S * 5/2012 Hardi et al. D14/205
- D662,078 S * 6/2012 Leung D14/205
- D706,241 S * 6/2014 Szymanski et al. D14/205
- D712,882 S * 9/2014 Wang D14/223
- D717,772 S * 11/2014 Yang D14/223

FOREIGN PATENT DOCUMENTS

- JP 1351986 2/2009
- JP 1411708 4/2011

OTHER PUBLICATIONS

- Catalog of "Steez" issued on Sep. 2011.
- Pioneer Headphone & Accessories Catalog issued on Nov. 2010.

* cited by examiner

Primary Examiner — Paula Greene
(74) *Attorney, Agent, or Firm* — Drinker Biddle & Reath LLP

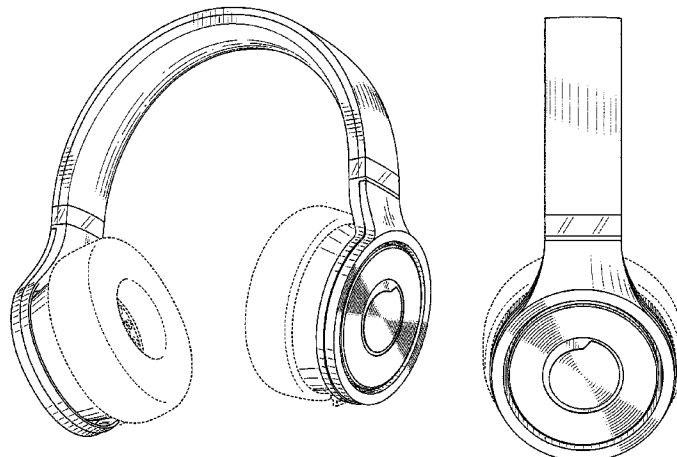
(57) **CLAIM**

The ornamental design for the headphone, as shown and described.

DESCRIPTION

FIG. 1 is a perspective view of front, top and right side of the headphone showing my new design;
FIG. 2 is a front view thereof;
FIG. 3 is a rear view thereof;
FIG. 4 is a left side view thereof;
FIG. 5 is a right side view thereof;
FIG. 6 is a top view thereof; and,
FIG. 7 is a bottom view thereof.
The portions of the article in broken lines form no part of the claimed design.

1 Claim, 7 Drawing Sheets



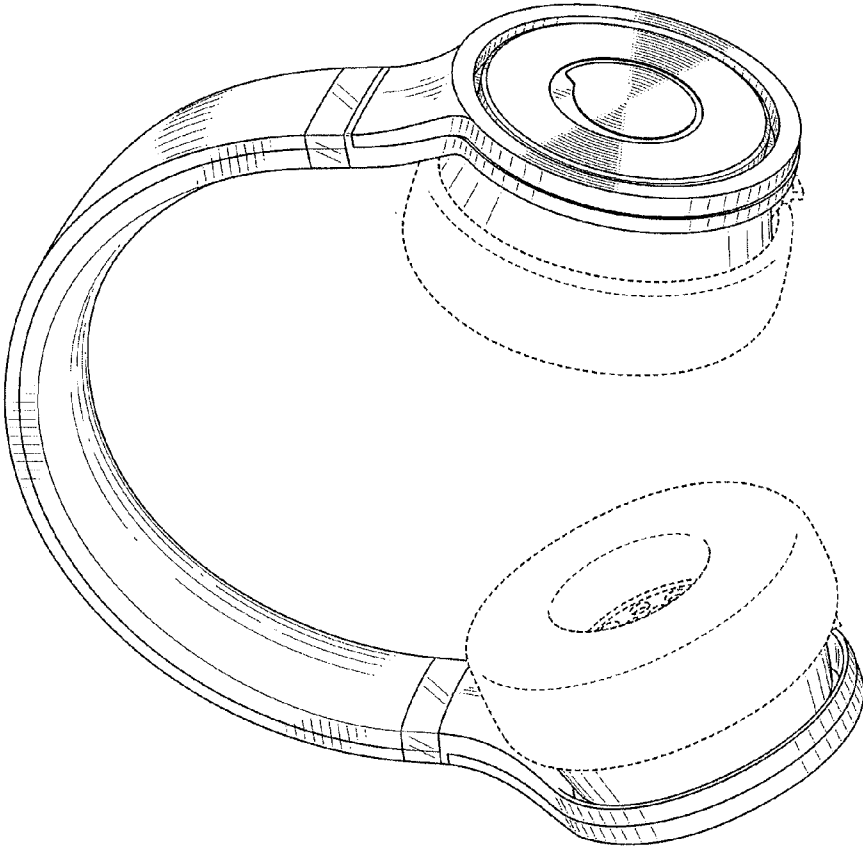


FIG. 1

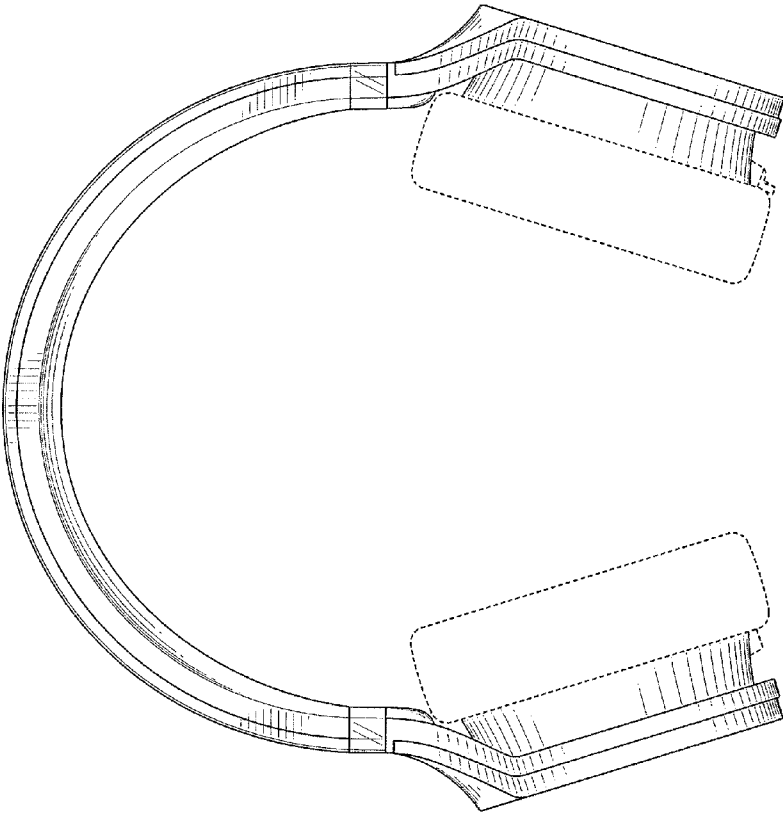


FIG. 2

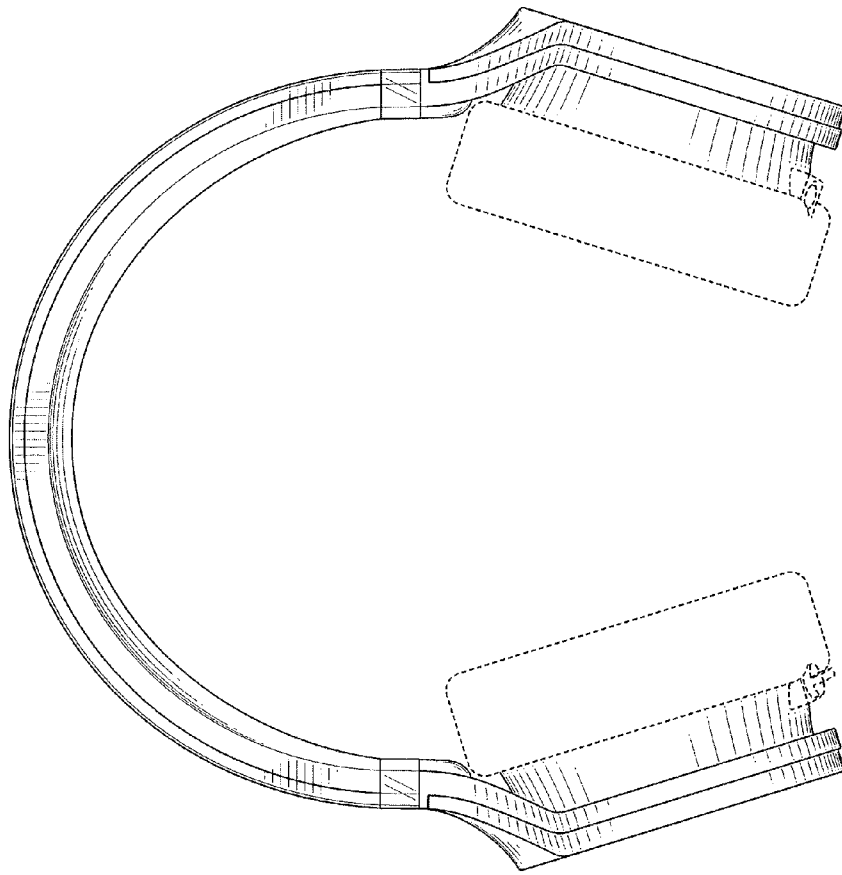


FIG. 3

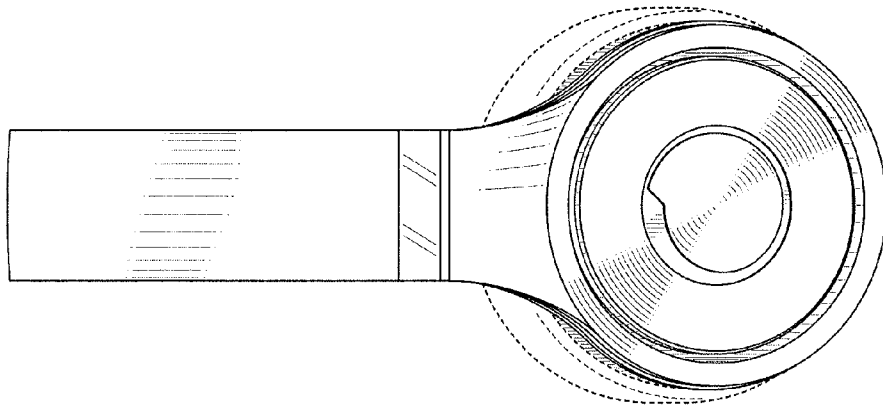


FIG. 4

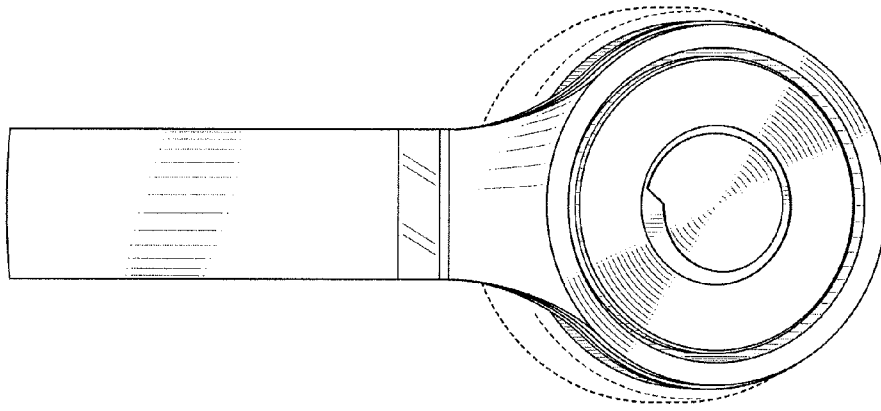


FIG. 5

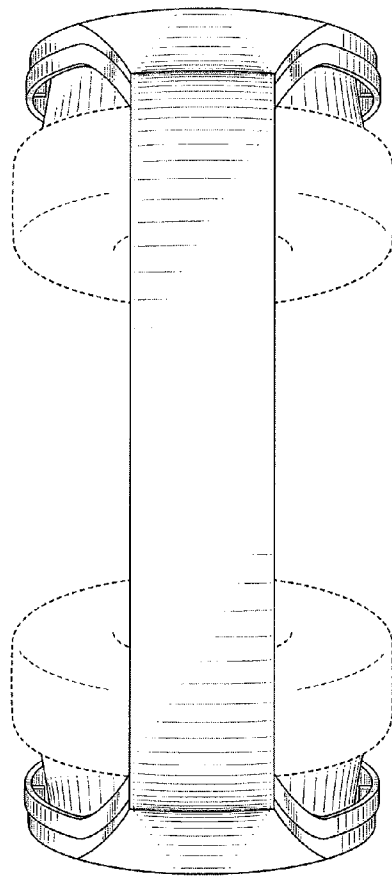


FIG. 6

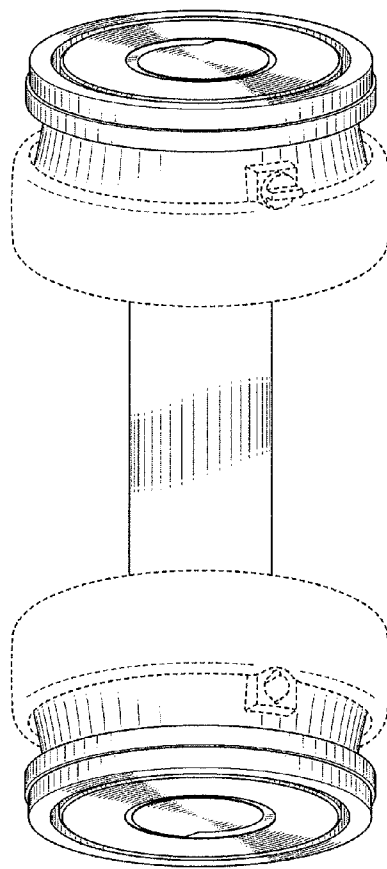


FIG. 7