



US00D507057S

(12) **United States Design Patent** (10) **Patent No.:** **US D507,057 S**
Timmer (45) **Date of Patent:** **** Jul. 5, 2005**

(54) **MESSAGE IMPLEMENT**

FOREIGN PATENT DOCUMENTS

(76) Inventor: **Kirk Timmer**, 1413 41st St. South,
Great Falls, MT (US) 59405

CH Nr. 137038 2/1930
CH Nr. 256694 3/1949

(**) Term: **14 Years**

OTHER PUBLICATIONS

(21) Appl. No.: **29/186,407**

Roller Ice, www.buyamag.com/roller_ice__massager.htm,
web page, Oct. 9, 2002.

(22) Filed: **Jul. 14, 2003**

* cited by examiner

(51) **LOC (8) Cl.** **24-04**

(52) **U.S. Cl.** **D24/211; D24/214**

(58) **Field of Search** D21/200, 211,
D21/214; 601/131, 134, 135, 136

Primary Examiner—Stella Reid

(74) *Attorney, Agent, or Firm*—Saliwanchik, Lloyd &
Saliwanchik

(56) **References Cited**

(57) **CLAIM**

U.S. PATENT DOCUMENTS

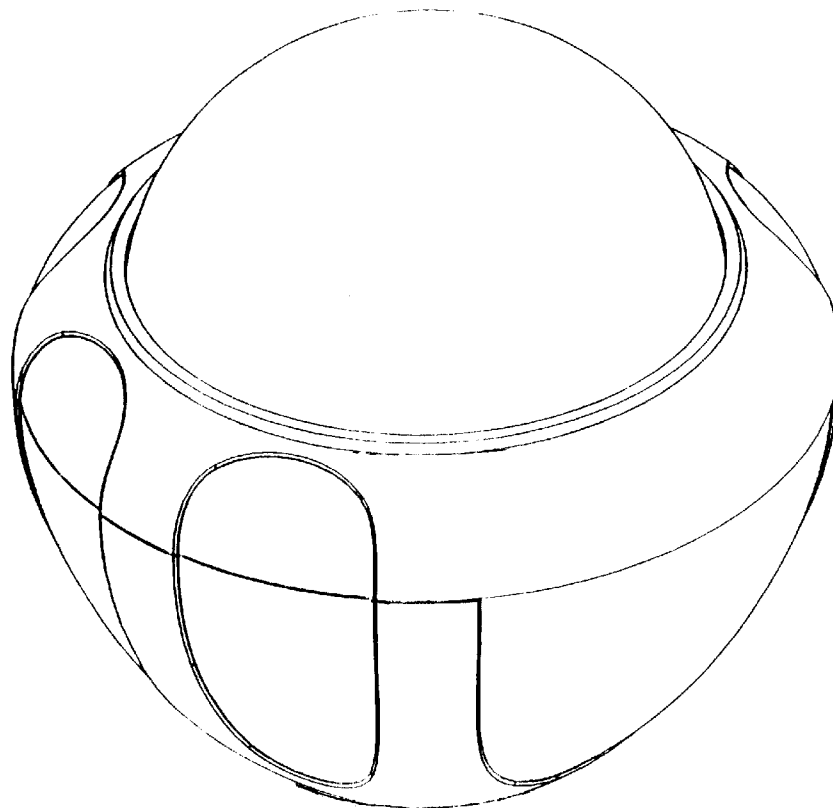
The ornamental design for a message implement, as shown
and described.

754,925 A	3/1904	Zar-Adusht-Hanish	
D143,678 S	1/1946	Snyder et al.	
2,510,399 A *	6/1950	Harris	601/131
2,797,885 A	7/1957	Packwood	
D197,750 S	3/1964	Rosenberg	
4,454,868 A	6/1984	George	
D319,105 S	8/1991	Cheng	
D378,539 S *	3/1997	Scott	D24/211
D403,076 S	12/1998	York	
D403,428 S	12/1998	Russo	
6,093,159 A	7/2000	Racoosin	
D454,644 S	3/2002	York	
D469,880 S	2/2003	York	

DESCRIPTION

FIG. 1 is a perspective view of a message implement,
showing my new design;
FIG. 2 is a top plan view thereof;
FIG. 3 is a bottom plan view thereof;
FIG. 4 is a left side elevational view thereof;
FIG. 5 is a front elevational view thereof; and,
FIG. 6 is a rear elevational view thereof.

1 Claim, 3 Drawing Sheets



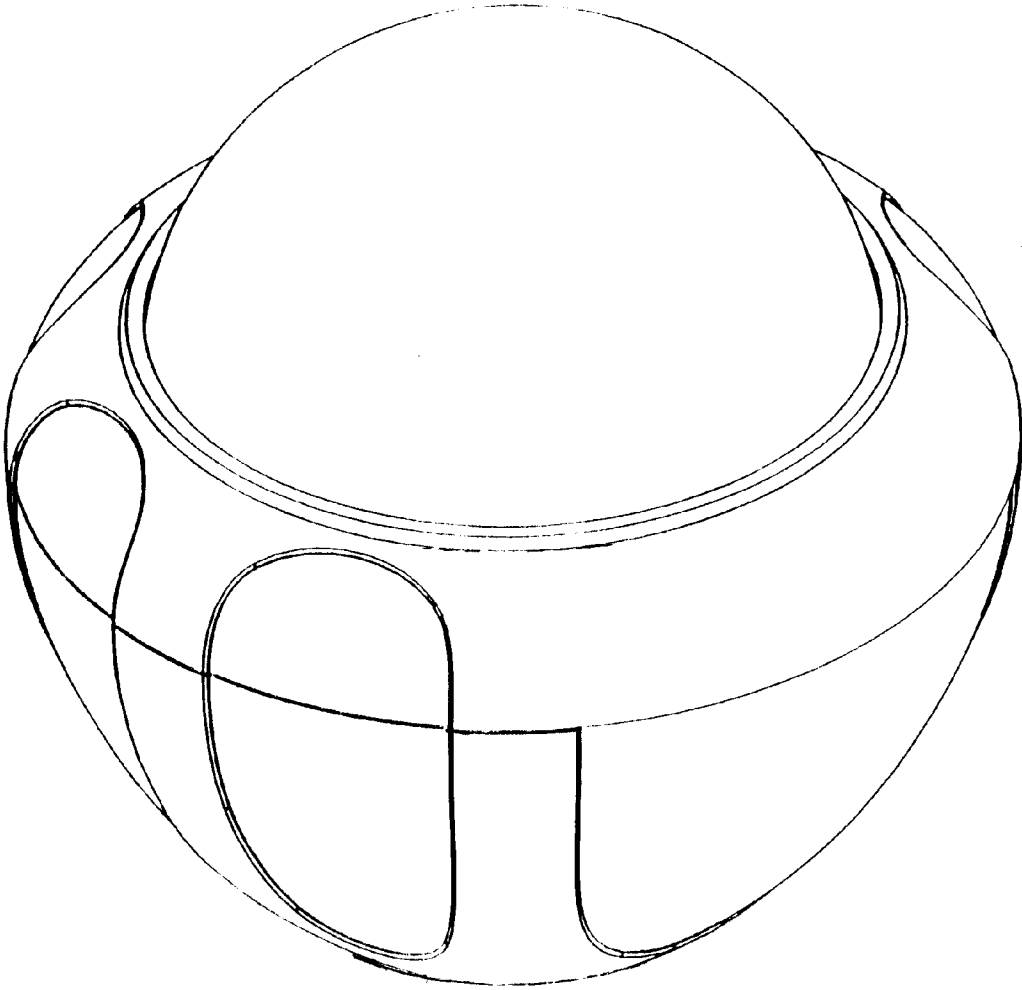


FIG. 1

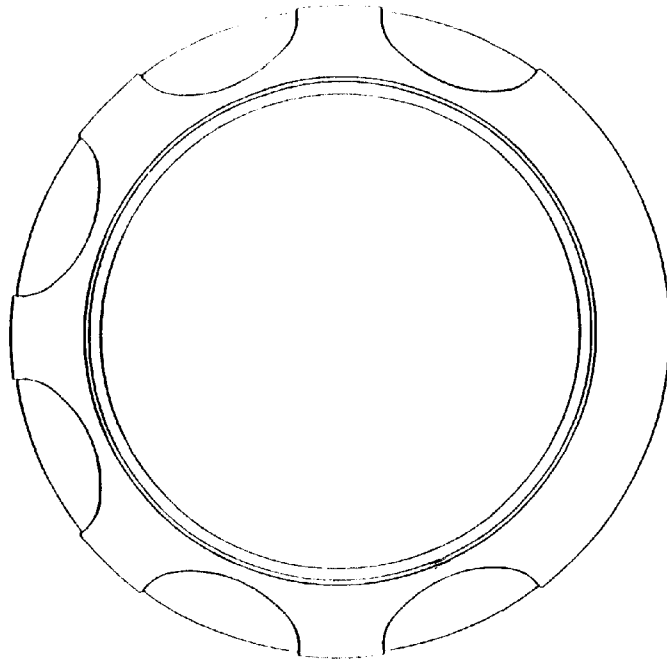


FIG. 2

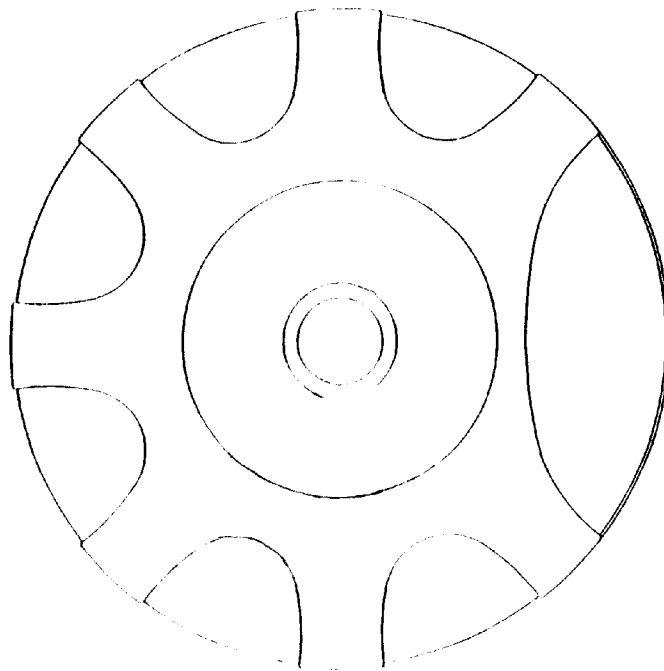


FIG. 3

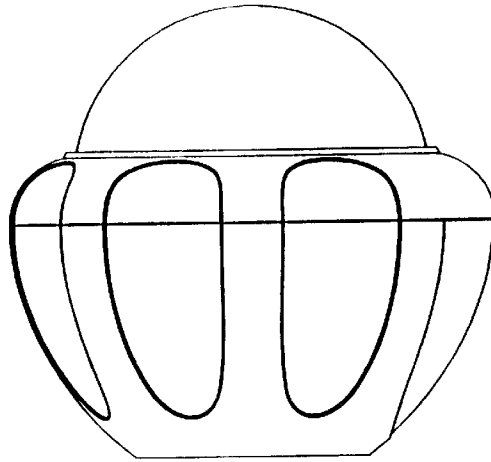


FIG. 4

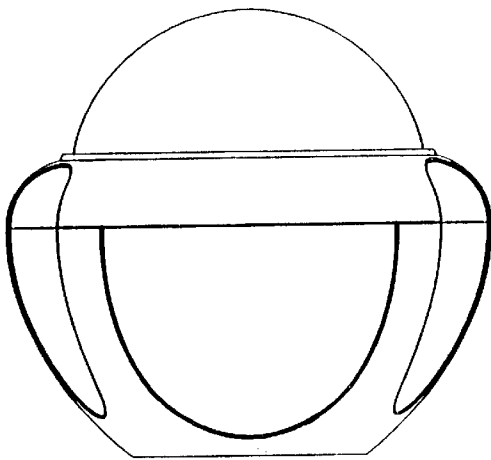


FIG. 5

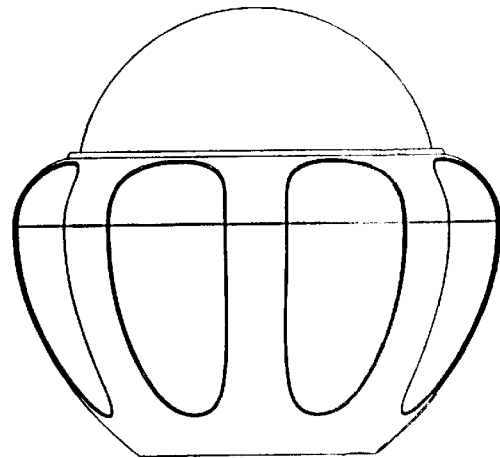


FIG. 6