



US00D693323S

(12) **United States Design Patent**
Kawase et al.

(10) **Patent No.:** **US D693,323 S**

(45) **Date of Patent:** **** Nov. 12, 2013**

(54) **PORTABLE WIRELESS TELEPHONE**

(75) Inventors: **Shin Kawase**, Kawasaki (JP); **Kazuya Matsumoto**, Tokyo (JP)

(73) Assignee: **NEC Casio Mobile Communications Ltd.**, Kanagawa (JP)

(**) Term: **14 Years**

(21) Appl. No.: **29/422,362**

(22) Filed: **May 18, 2012**

(30) **Foreign Application Priority Data**

Feb. 21, 2012 (JP) 2012-03562

(51) **LOC (9) Cl.** **14-03**

(52) **U.S. Cl.**
USPC **D14/138 AB; D14/345**

(58) **Field of Classification Search**

USPC D14/138 G, 138 AD, 341, 346, 138 R,
D14/138 AC, 496, 203.1, 203.4, 203.7, 248,
D14/218; 455/575.1, 556.2, 575.3, 575.4;
D21/517; 379/433.01, 433.04, 433.13;
D10/65, 78, 104; D13/168

See application file for complete search history.

(56) **References Cited**

U.S. PATENT DOCUMENTS

D359,306 S * 6/1995 Lande et al. D14/345
D391,987 S * 3/1998 Jambhekar et al. D14/345
D399,526 S * 10/1998 Brady D14/345
D493,463 S * 7/2004 Takahashi D14/373
D494,968 S * 8/2004 Yonekawa et al. D14/345
D588,126 S * 3/2009 Chiang et al. D14/345
7,522,944 B2 * 4/2009 Hyun et al. 455/575.1

D603,363 S * 11/2009 Choi et al. D14/138 AB
7,705,799 B2 * 4/2010 Niwa 345/1.1
D624,517 S * 9/2010 Lee et al. D14/138 AB
D626,124 S * 10/2010 Chyan et al. D14/341
D631,455 S * 1/2011 Kim et al. D14/138 AB
D635,567 S * 4/2011 Rashid et al. D14/341
D639,806 S * 6/2011 Lee et al. D14/345

(Continued)

OTHER PUBLICATIONS

Sony Tablet P telephone, announced Q1 2012, [online], [site visited Jun. 13, 2013]. Available from Internet, <URL: http://www.gsmarena.com/sony_tablet_p-4648.php>.*

Primary Examiner — Jeffrey D Asch

(74) *Attorney, Agent, or Firm* — Sughrue Mion, PLLC

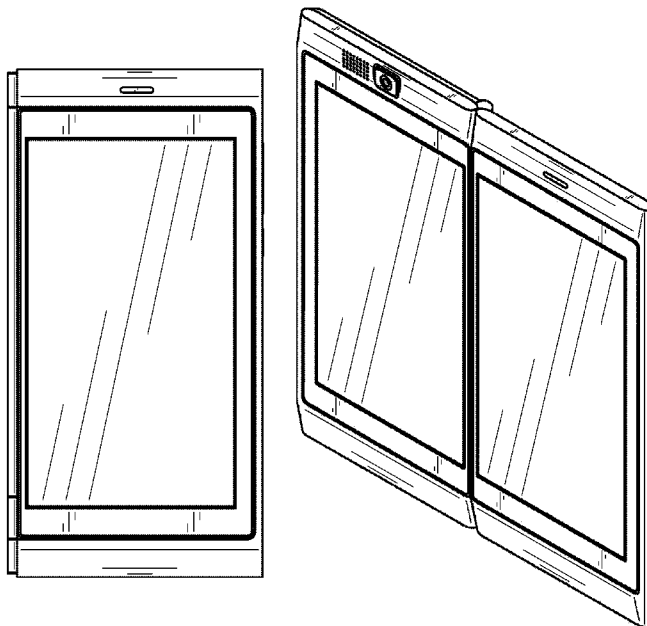
(57) **CLAIM**

The ornamental design for a portable wireless telephone, as shown and described.

DESCRIPTION

FIG. 1 is a Front view thereof;
FIG. 2 is a Rear view thereof;
FIG. 3 is a Left Side view thereof;
FIG. 4 is a Right Side view thereof;
FIG. 5 is a Top Plan view thereof;
FIG. 6 is a Bottom Plan view thereof;
FIG. 7 is a Perspective View of the open state thereof;
FIG. 8 is a Front View of the open state thereof;
FIG. 9 is a Rear View of the open state thereof;
FIG. 10 is a Rear Perspective View of the open state thereof;
FIG. 11 is a Right Side View of the open state thereof;
FIG. 12 is a Left Side View of the open state thereof;
FIG. 13 is a Top Plan View of the open state thereof; and,
FIG. 14 is a Bottom Plan View of the open state thereof.

1 Claim, 10 Drawing Sheets



(56)

References Cited

U.S. PATENT DOCUMENTS

D653,226	S *	1/2012	Nara	D14/138 AB	8,279,592	B2 *	10/2012	Imamura et al.	361/679.27
D658,173	S *	4/2012	Kim	D14/345	8,405,978	B2 *	3/2013	Okutsu	361/679.55
8,248,764	B2 *	8/2012	Hassemer et al.	361/679.01	D680,531	S *	4/2013	Honda et al.	D14/345
8,264,823	B2 *	9/2012	Kim et al.	361/679.01	D680,532	S *	4/2013	Reeves et al.	D14/345
8,265,705	B2 *	9/2012	Lee	455/566	2005/0184982	A1 *	8/2005	Sugimoto	345/204
						2011/0117971	A1 *	5/2011	Kim et al.	455/566
						2012/0309470	A1 *	12/2012	Park et al.	455/575.3

* cited by examiner

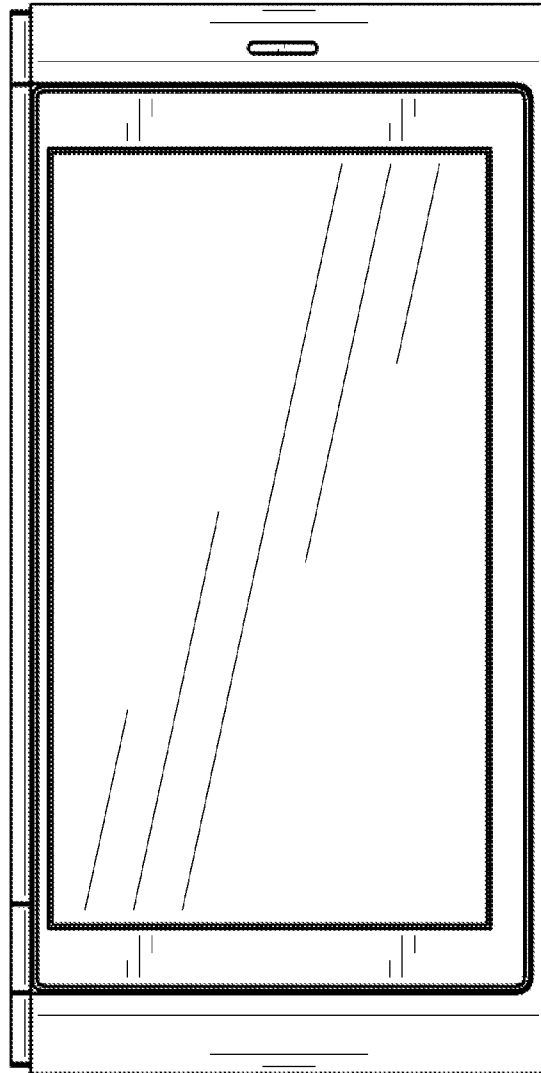


FIG. 1

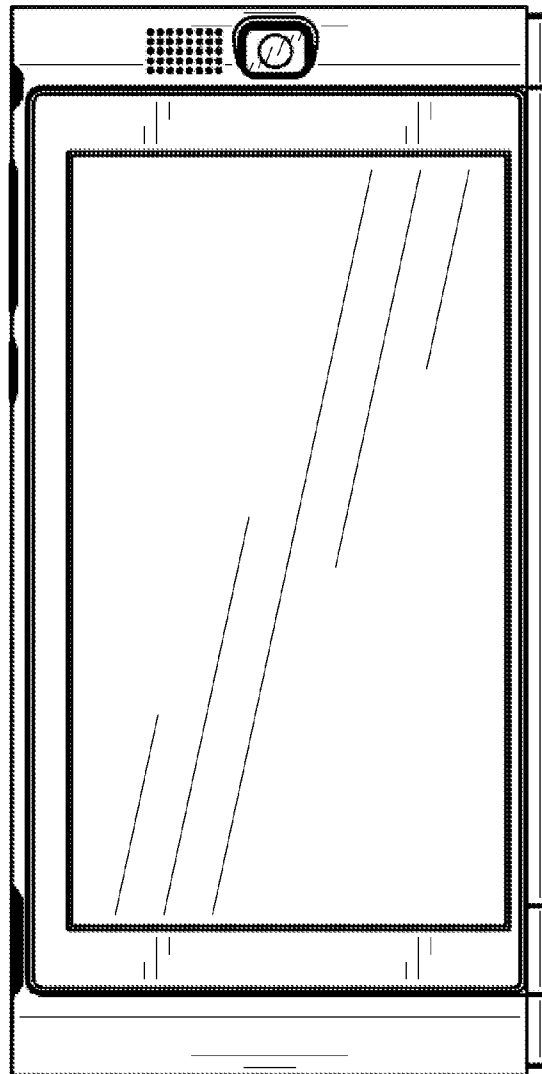


FIG. 2

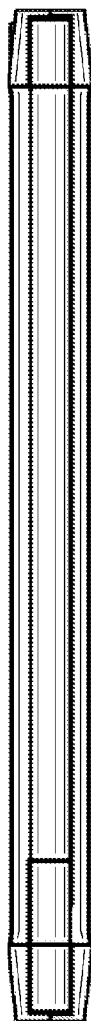


FIG. 3

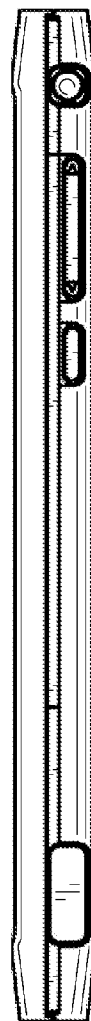


FIG. 4



FIG. 5

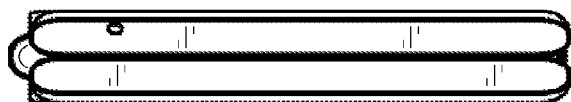


FIG. 6

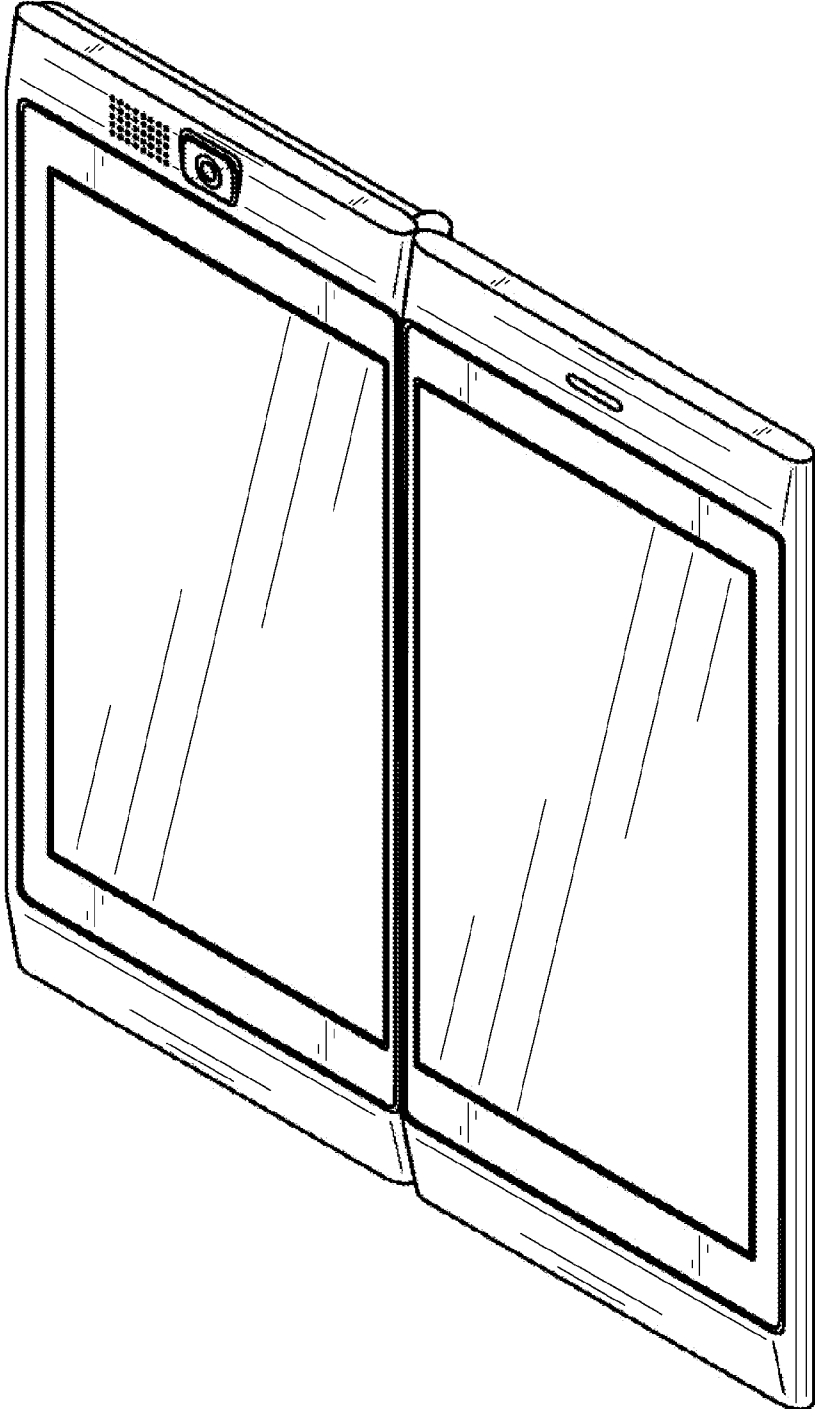


FIG. 7

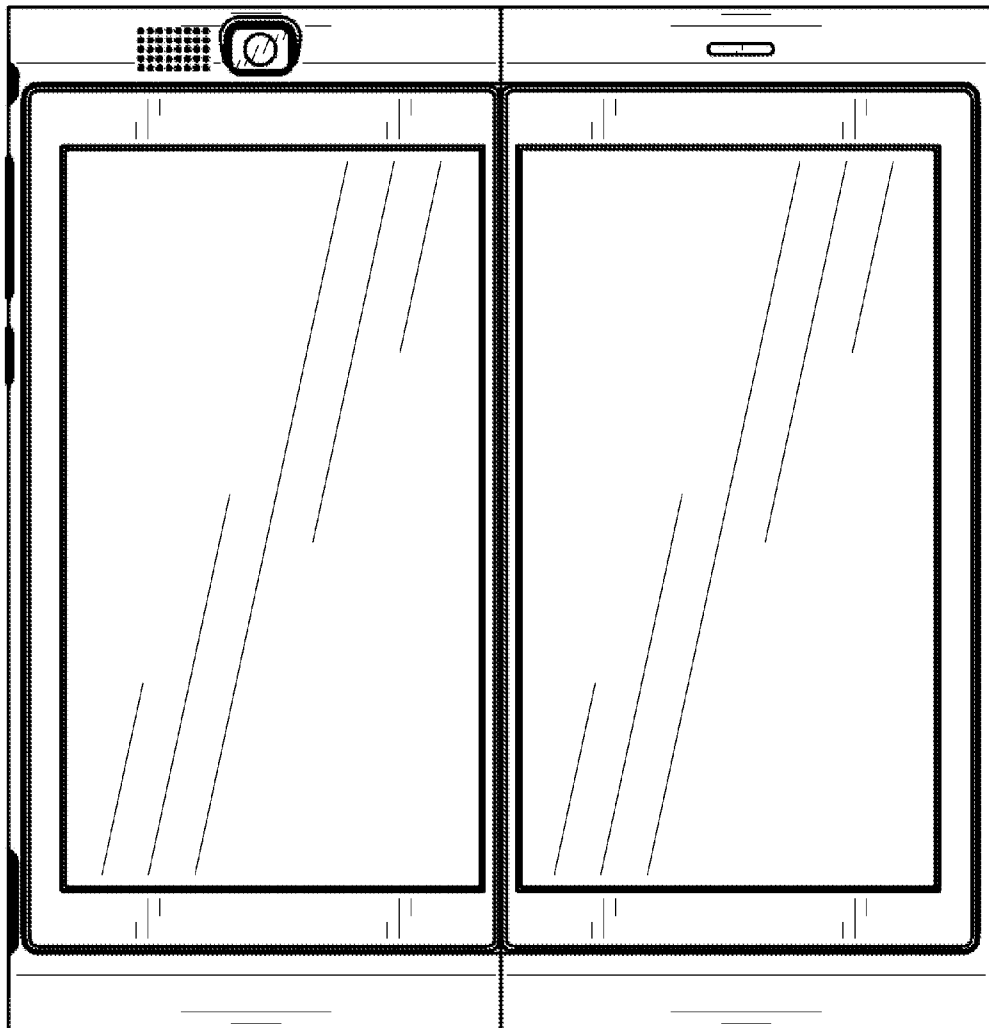


FIG. 8

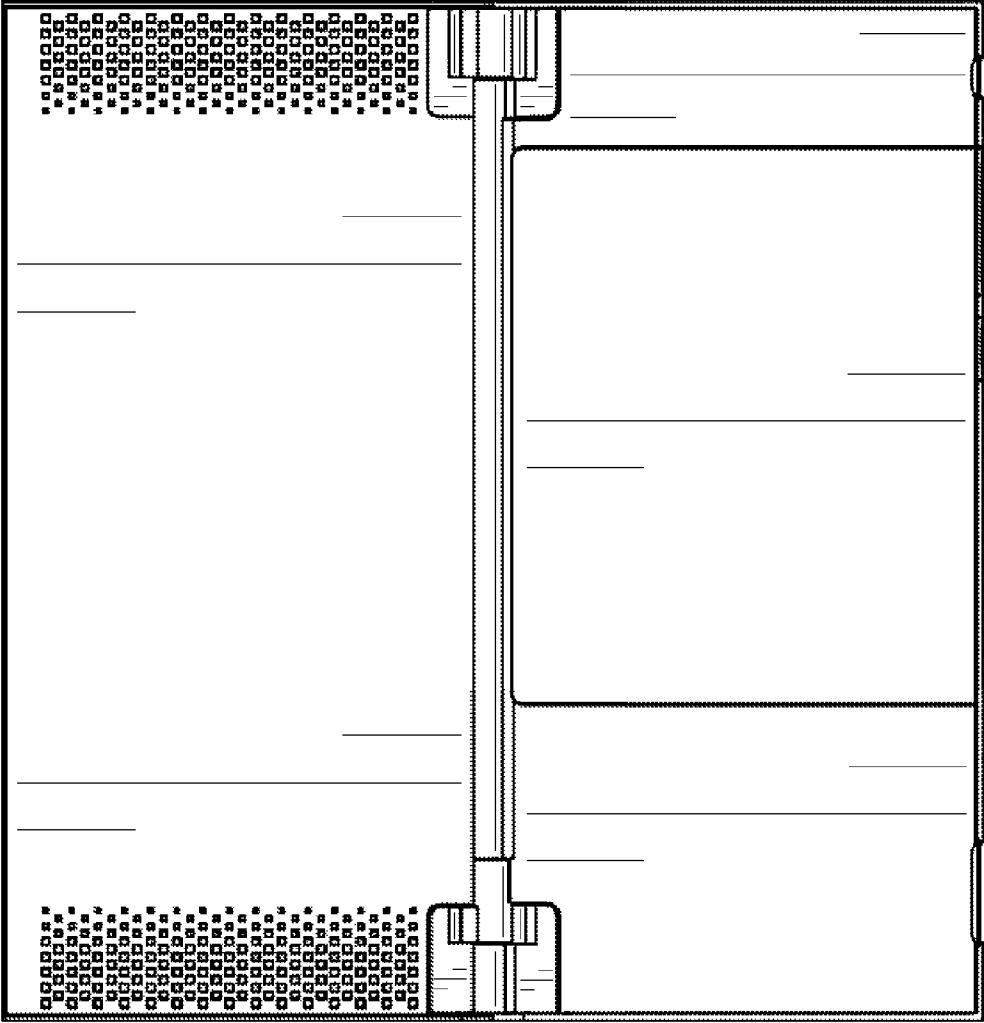


FIG. 9

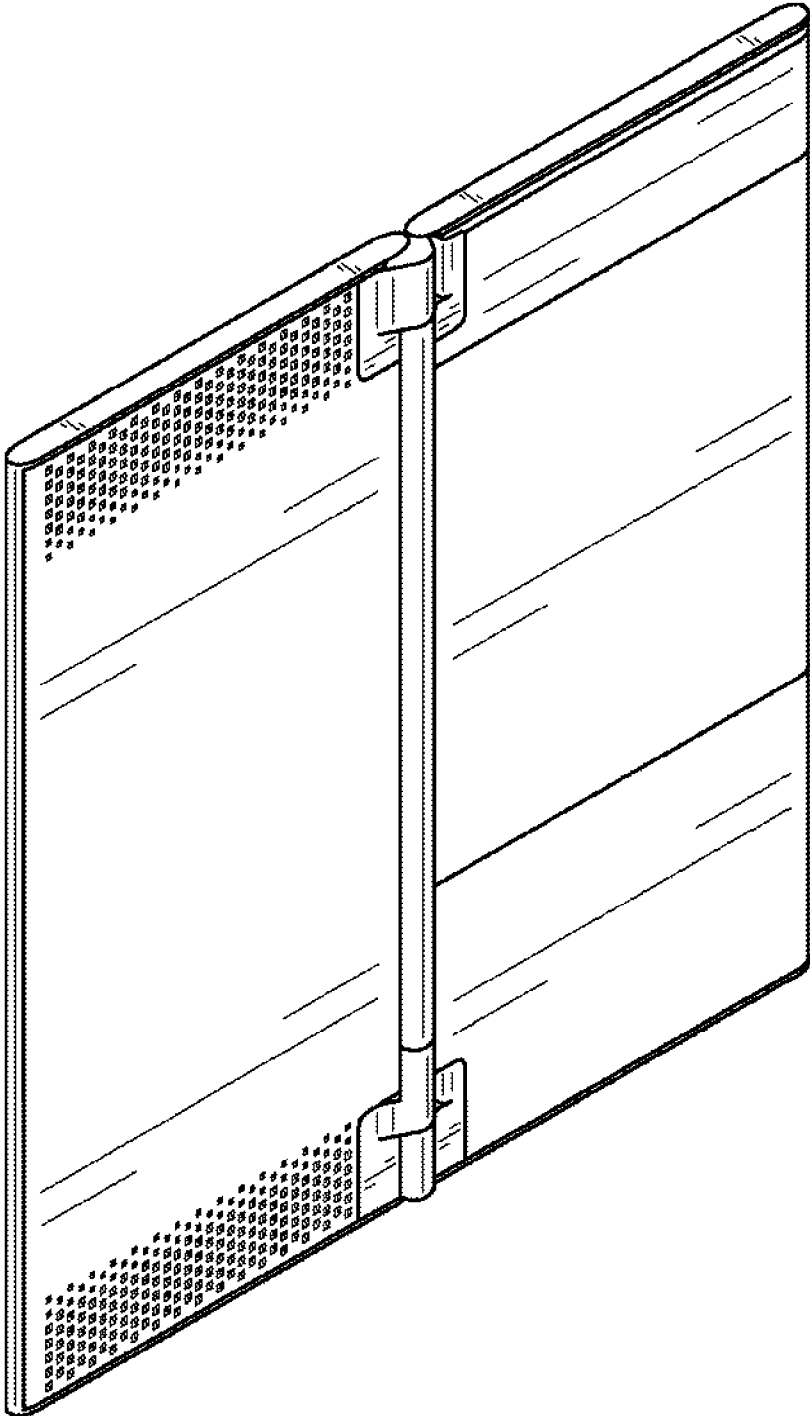


FIG.10

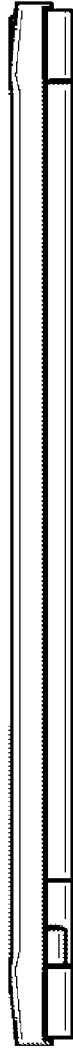


FIG. 11

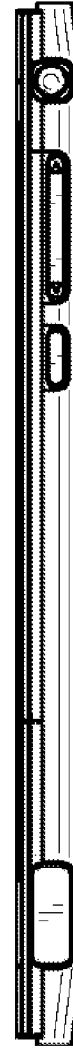


FIG. 12



FIG. 13



FIG. 14