



US00D659879S

(12) **United States Design Patent**
Rashidi

(10) **Patent No.:** **US D659,879 S**

(45) **Date of Patent:** **** *May 15, 2012**

(54) **LED LIGHT WITH REFLECTOR TRIM**

(75) Inventor: **Hamid Rashidi**, Montebello, CA (US)

(73) Assignee: **Elite Lighting**, Commerce, CA (US)

(*) Notice: This patent is subject to a terminal disclaimer.

(**) Term: **14 Years**

(21) Appl. No.: **29/370,507**

(22) Filed: **Jul. 27, 2010**

(51) **LOC (9) Cl.** **26-05**

(52) **U.S. Cl.** **D26/74**

(58) **Field of Classification Search** D26/24,
D26/72, 74, 80, 81, 83, 85, 88, 61, 63, 118;
362/576, 89, 145, 147, 148, 150, 151, 152,
362/153, 153.1, 294, 296.01, 311.02, 311.07,
362/364, 365, 366, 373

See application file for complete search history.

(56) **References Cited**

U.S. PATENT DOCUMENTS

| | | | | | | |
|----------|---|---|--------|------------------|-------|--------|
| D326,537 | S | * | 5/1992 | Gattari | | D26/74 |
| D573,294 | S | * | 7/2008 | Chan et al. | | D26/74 |
| D591,894 | S | * | 5/2009 | Flank | | D26/74 |
| D595,005 | S | * | 6/2009 | Chou | | D26/74 |
| D610,289 | S | * | 2/2010 | Yoshinobu et al. | | D26/74 |
| D610,290 | S | * | 2/2010 | Yoshinobu et al. | | D26/74 |

| | | | | | | |
|--------------|----|---|--------|------------------|-------|---------|
| D610,291 | S | * | 2/2010 | Yoshinobu et al. | | D26/74 |
| 7,670,021 | B2 | * | 3/2010 | Chou | | 362/148 |
| D624,691 | S | * | 9/2010 | Zhang et al. | | D26/138 |
| D631,588 | S | * | 1/2011 | Bergmann et al. | | D26/63 |
| 2010/0039829 | A1 | * | 2/2010 | Tsai | | 362/373 |
| 2010/0061108 | A1 | * | 3/2010 | Zhang et al. | | 362/364 |
| 2010/0195327 | A1 | * | 8/2010 | Inoue et al. | | 362/235 |

* cited by examiner

Primary Examiner — Angela J Lee

(74) *Attorney, Agent, or Firm* — Thomas I. Rozsa

(57) **CLAIM**

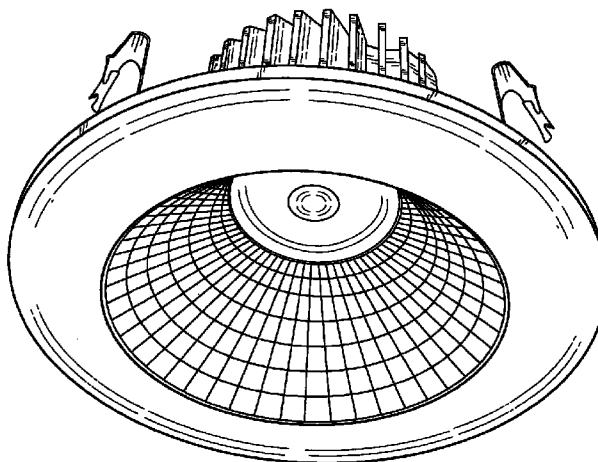
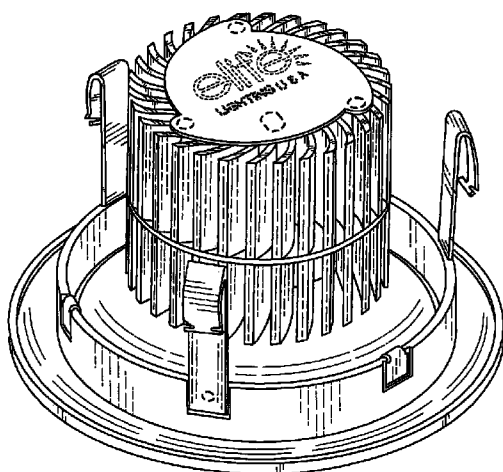
The ornamental design for a LED light with reflector trim, as shown and described.

DESCRIPTION

FIG. 1 is a side perspective view of the LED light with reflector trim, showing my design; FIG. 2 is a right side view thereof; FIG. 3 is a left side view thereof; FIG. 4 is a front view thereof; FIG. 5 is a rear view thereof; FIG. 6 is a top view thereof; FIG. 7 is a bottom view thereof; and, FIG. 8 is a bottom perspective view thereof.

The portions of the LED light with reflector trim shown in broken lines form no part of the claimed design.

1 Claim, 8 Drawing Sheets



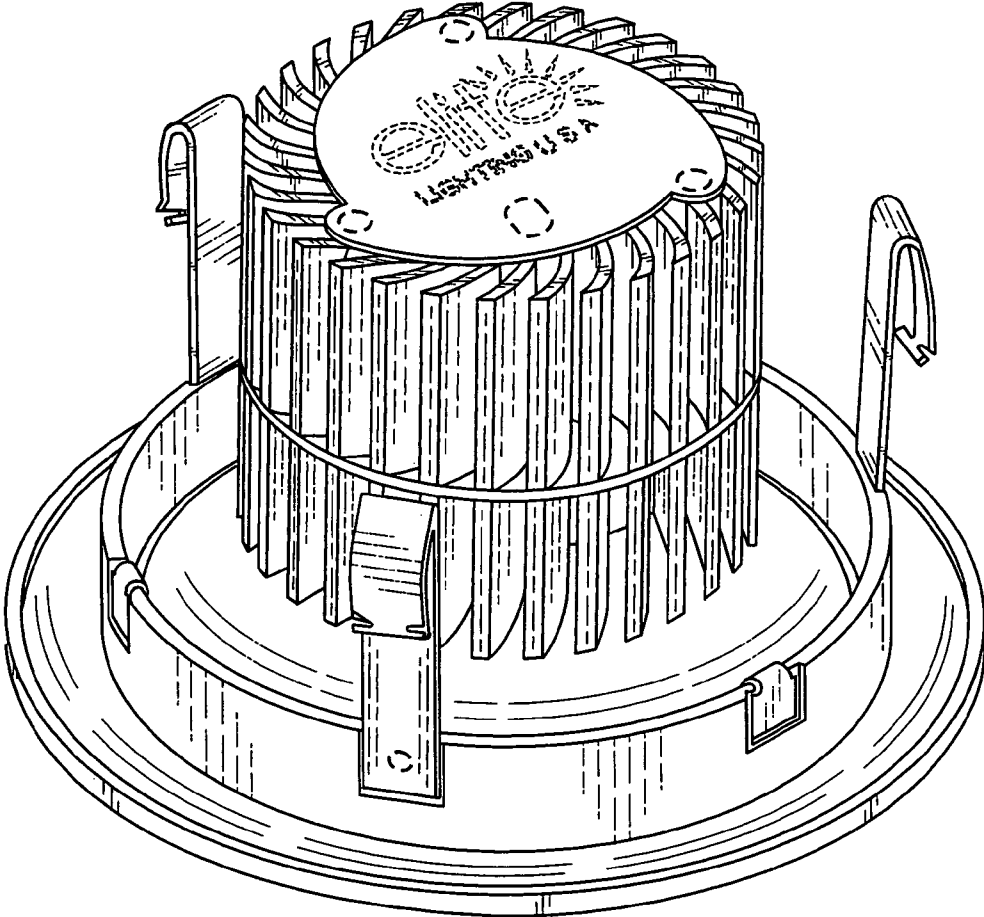


FIG. 1

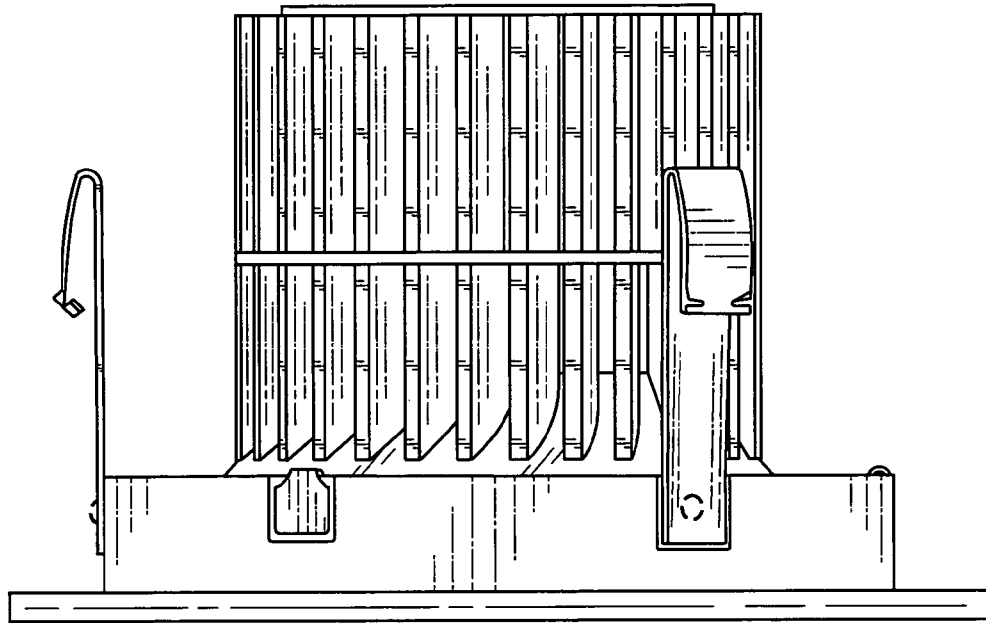


FIG. 2

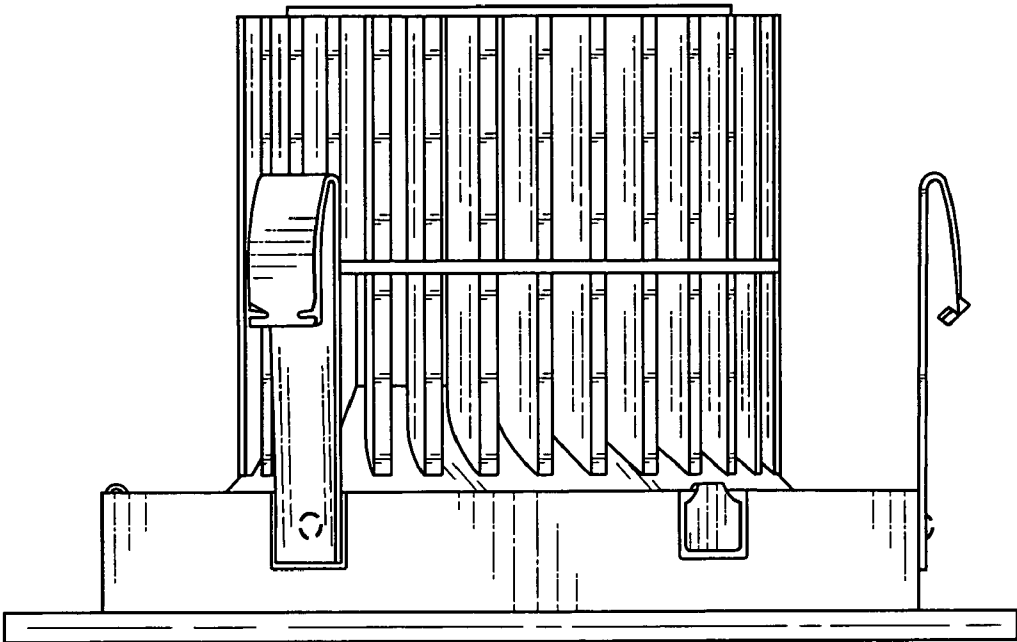


FIG. 3

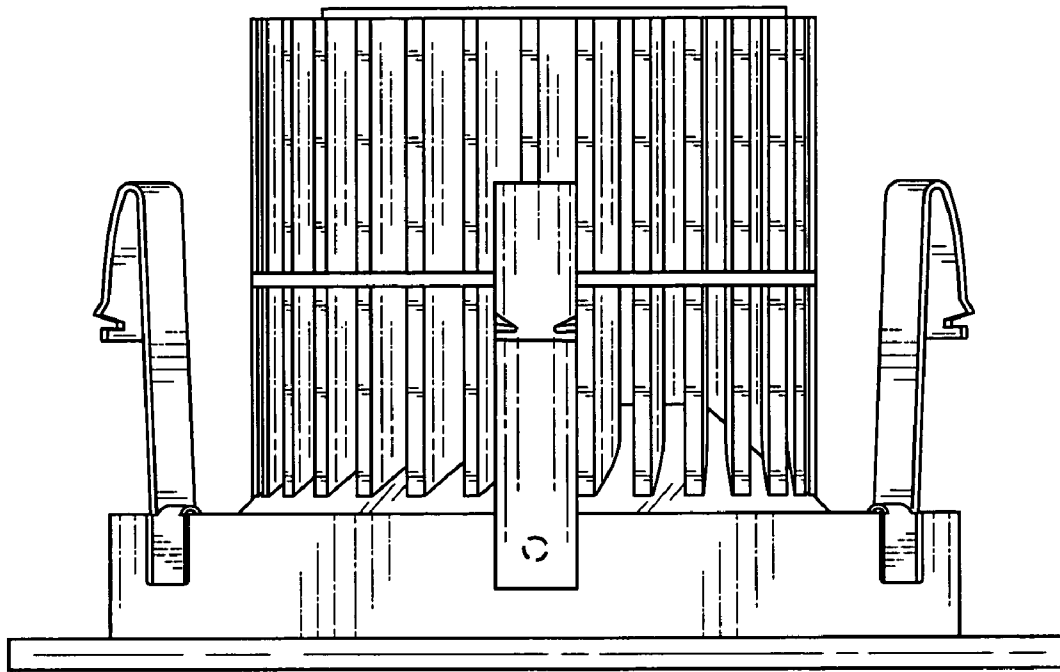


FIG. 4

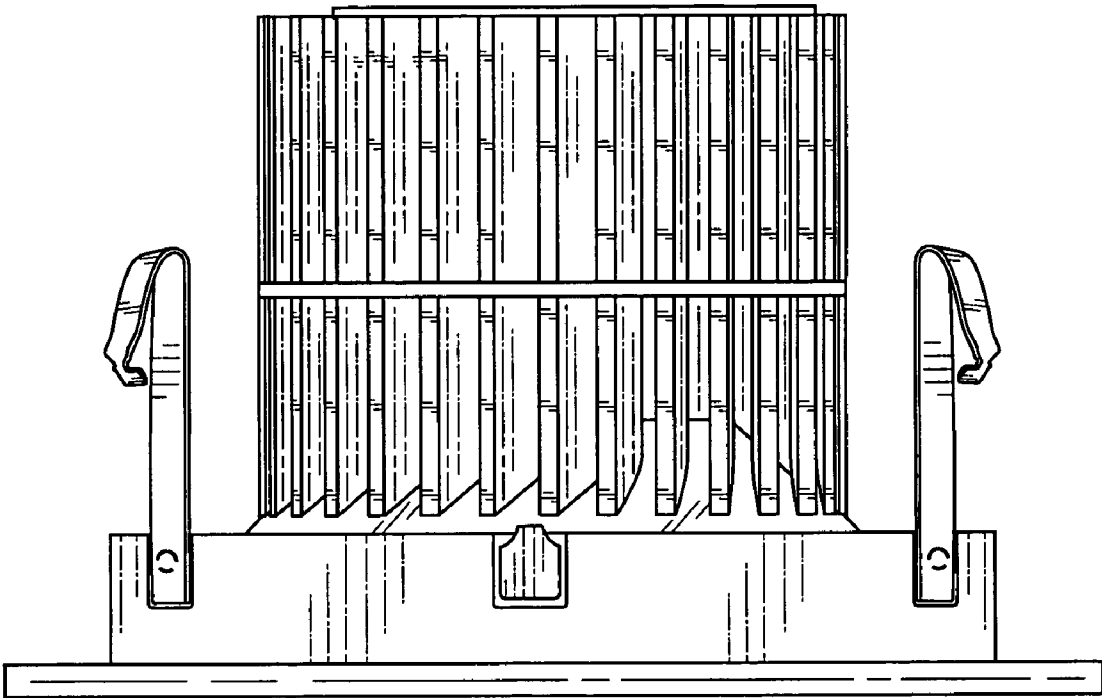


FIG. 5

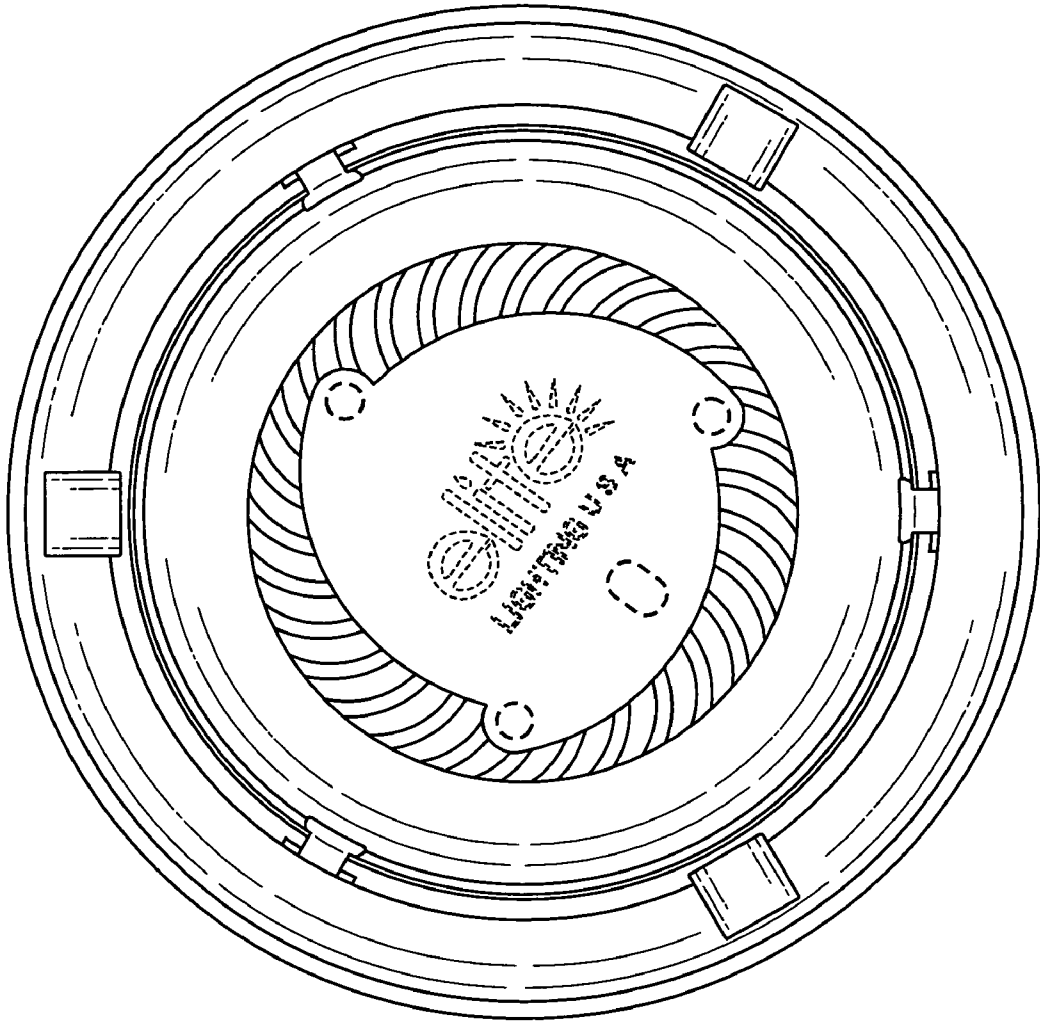


FIG. 6

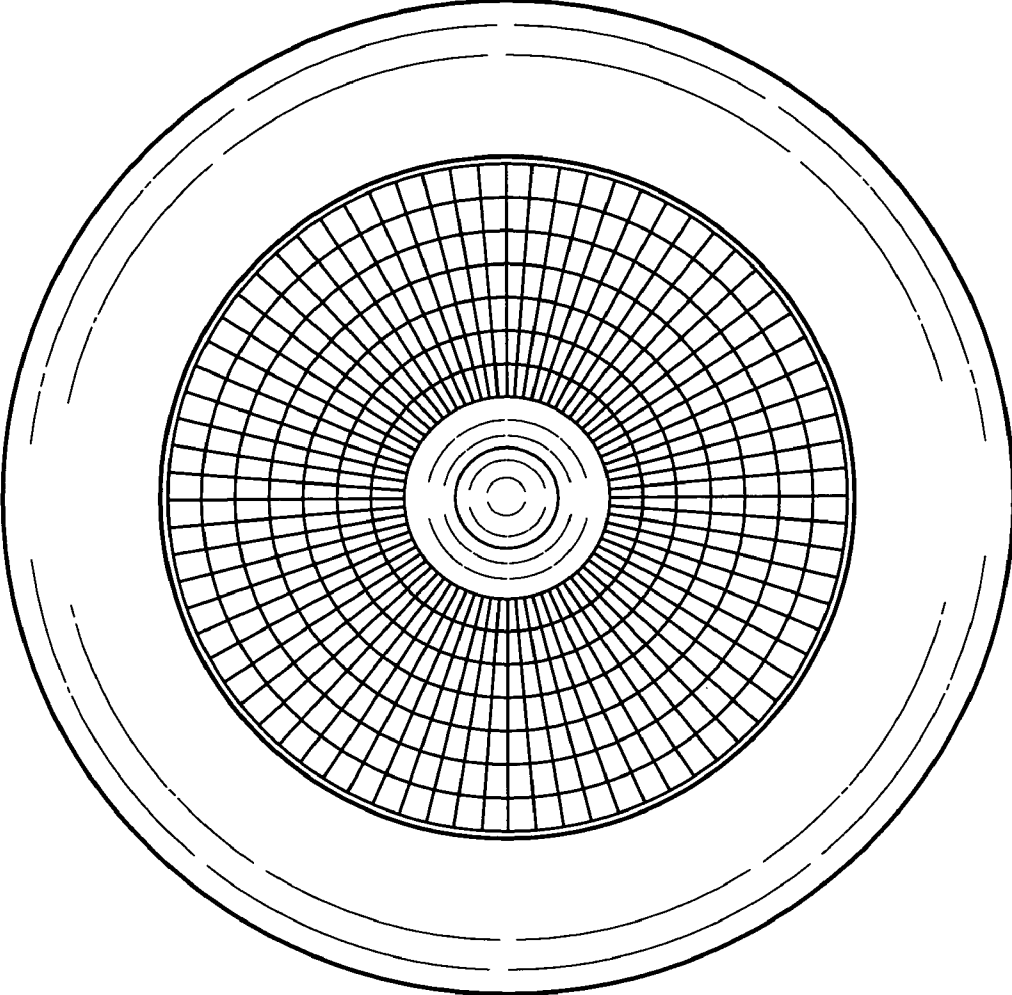


FIG. 7

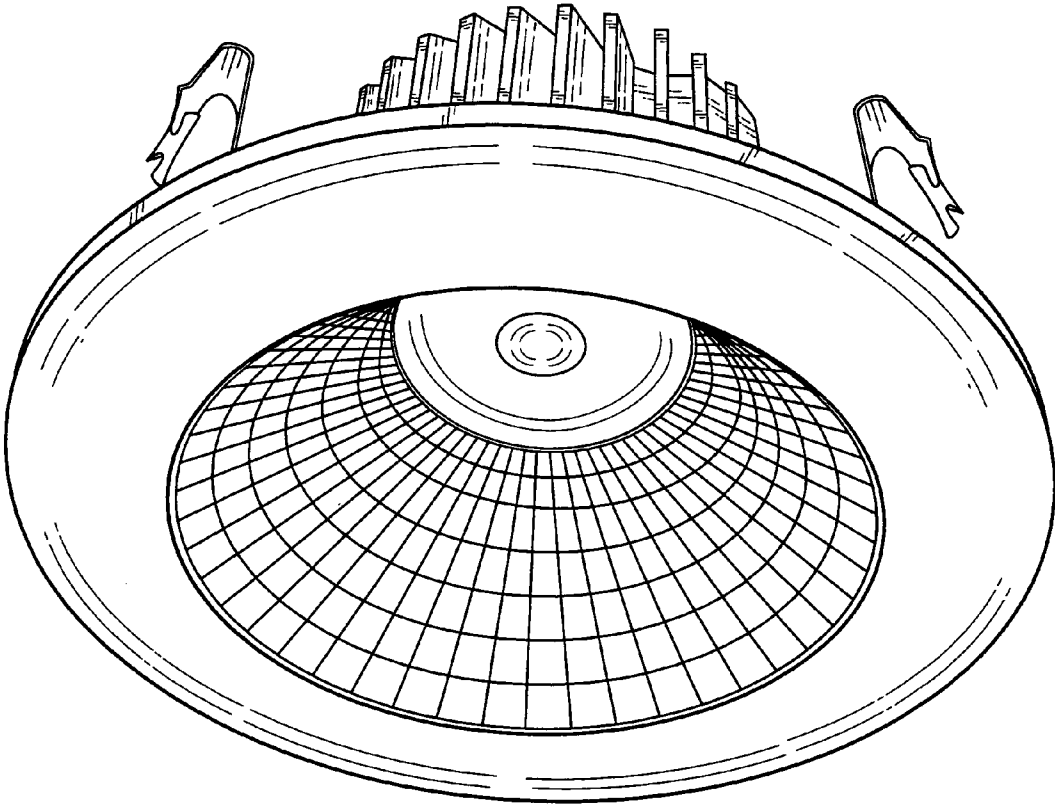


FIG. 8