



US00D838892S

(12) **United States Design Patent** (10) **Patent No.:** **US D838,892 S**
Redfern (45) **Date of Patent:** **** Jan. 22, 2019**

(54) **LUMINAIRE** 2015/0252988 A1* 9/2015 Rashidi Doust F21V 21/049
362/285
(71) Applicant: **ZUMTOBEL LIGHTING GMBH,** 2015/0276185 A1* 10/2015 Bailey F21V 13/04
Lemgo (DE) 362/294
2016/0018098 A1* 1/2016 Kim F21V 29/2212
362/373

(72) Inventor: **Christopher Redfern,**
Henley-on-Thames (GB)

(73) Assignee: **ZUMTOBEL LIGHTING GMBH,**
Lemgo (AT)

(**) Term: **15 Years**

(21) Appl. No.: **29/547,668**

(22) Filed: **Dec. 7, 2015**

(30) **Foreign Application Priority Data**

Jun. 5, 2015 (EM) 002 713 701

(51) **LOC (11) Cl.** **26-05**

(52) **U.S. Cl.**
USPC **D26/74**

(58) **Field of Classification Search**
USPC D26/72, 74, 118
CPC F21S 8/026; F21S 8/02
See application file for complete search history.

(56) **References Cited**

U.S. PATENT DOCUMENTS

D569,024	S	*	5/2008	Redfern	D26/74
D696,447	S	*	12/2013	Huh	D26/74
D698,970	S	*	2/2014	Guzzini	D26/74
D698,974	S	*	2/2014	Aniserowicz	D26/74
D740,996	S	*	10/2015	Tragatschnig	D26/118
D777,968	S	*	1/2017	Redfern	D26/74
D779,101	S	*	2/2017	Redfern	D26/74
D785,227	S	*	4/2017	Guzzini	D26/74
D789,586	S	*	6/2017	Guzzini	D26/74

OTHER PUBLICATIONS

“Tesla Pro.” Found online Apr. 18, 2018 at www.lightology.com. Image dated Dec. 16, 2015. Retrieved from URL: https://tineye.com/search/701f87a5053a970787550b8e5b5db8a59ad08408/?extension_ver=chrome-1.2.0 (Year: 2015).*

“Zumtobel.” Found online Apr. 19, 2018 at www.amazon.de. Page dated Feb. 10, 2016. Retrieved from URL: <https://goo.gl/2A9wCZ> (Year: 2016).*

“Ciata Lighting.” Found online Apr. 19, 2018 at www.amazon.com. Page dated Mar. 18, 2018. Retrieved from URL: <https://goo.gl/HyEGMD> (Year: 2018).*

* cited by examiner

Primary Examiner — Garth Rademaker

Assistant Examiner — Katelin G Kloberg

(74) *Attorney, Agent, or Firm* — Scully, Scott, Murphy & Presser

(57) **CLAIM**

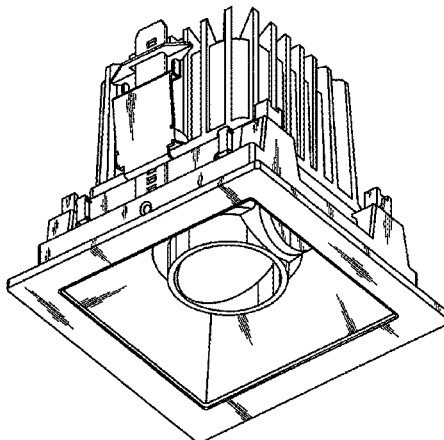
The ornamental design for a luminaire, as shown and described.

DESCRIPTION

FIG. 1 is a bottom, front, left side perspective view of a luminaire, showing my new design;
FIG. 2 is a left side view thereof;
FIG. 3 is a right side view thereof;
FIG. 4 is a front view thereof;
FIG. 5 is a rear view thereof;
FIG. 6 is a bottom view thereof; and,
FIG. 7 is a top view thereof.

The portions of the luminaire shown in the figures, in broken lines, attached hereto, form no part of the claimed design.

1 Claim, 7 Drawing Sheets



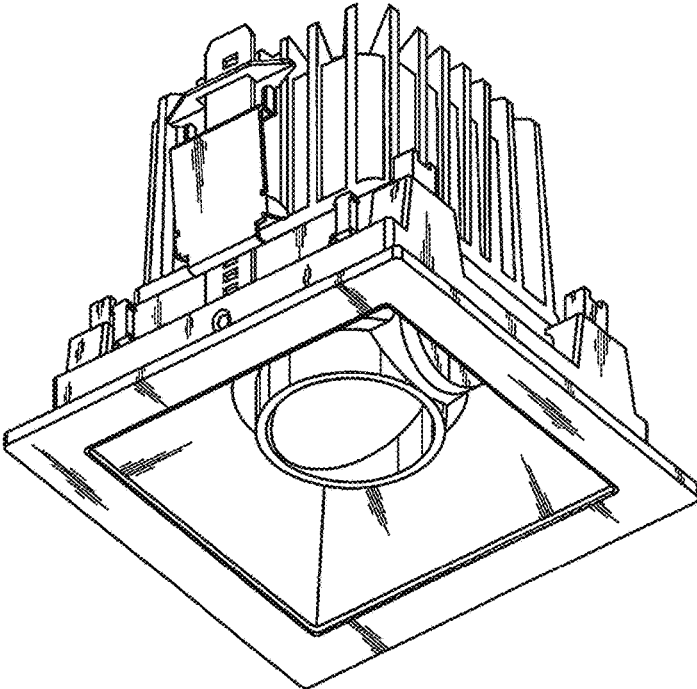


Fig. 1

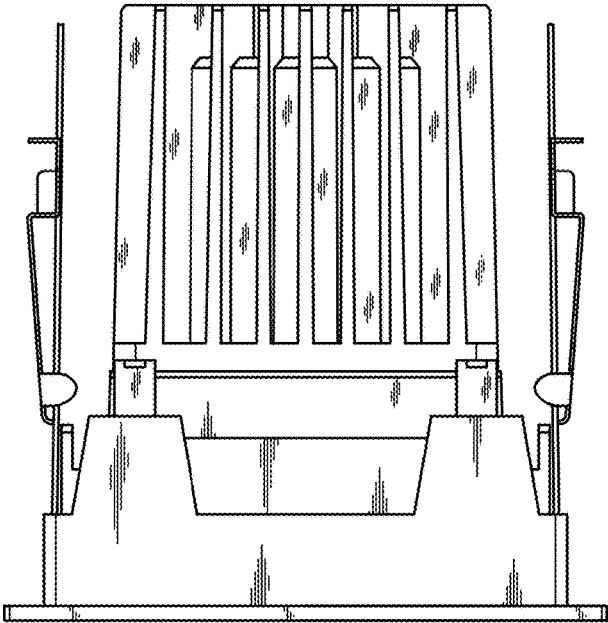


Fig. 2

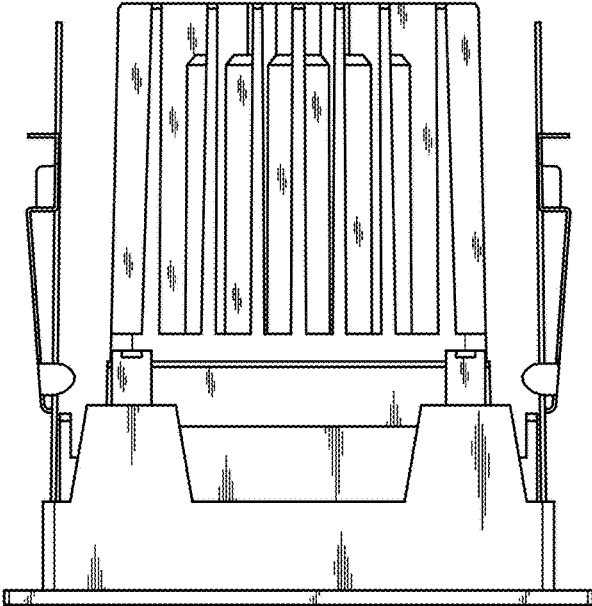


Fig. 3

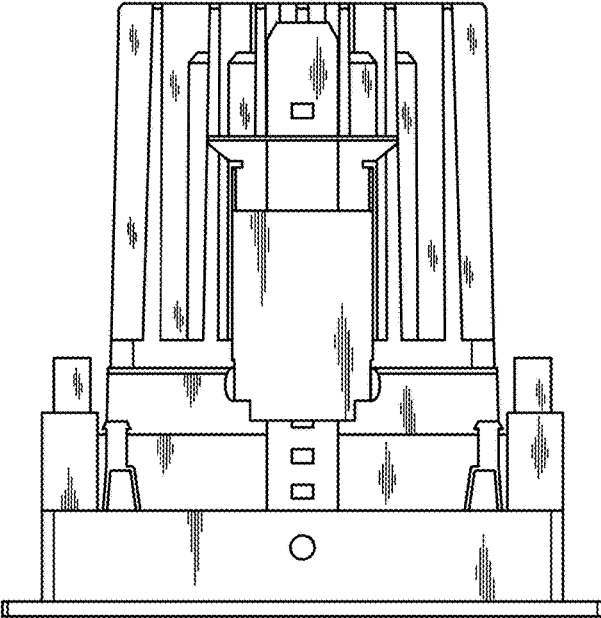


Fig. 4

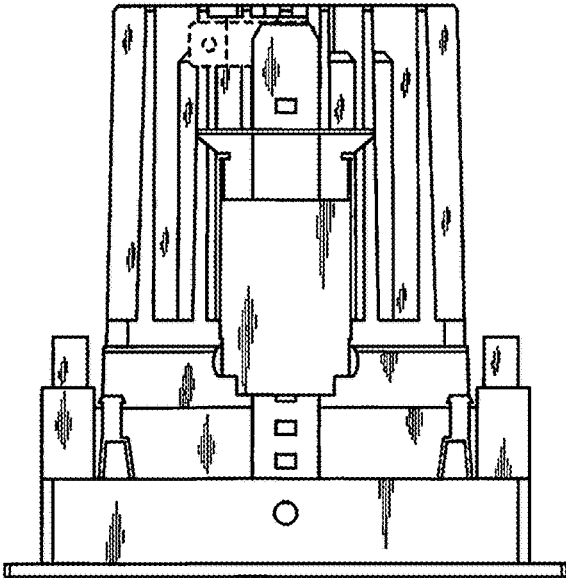


Fig. 5

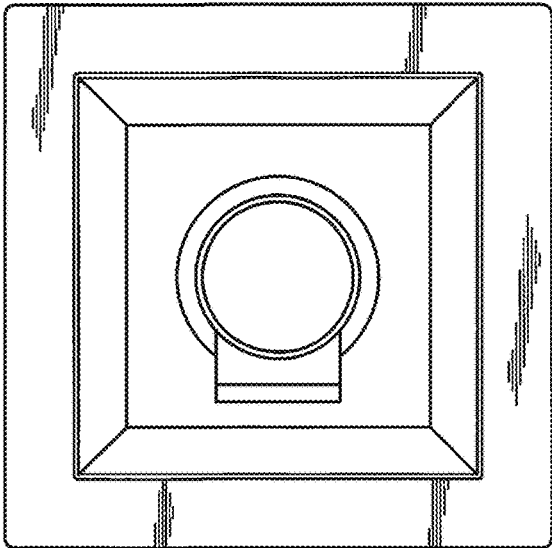


Fig. 6

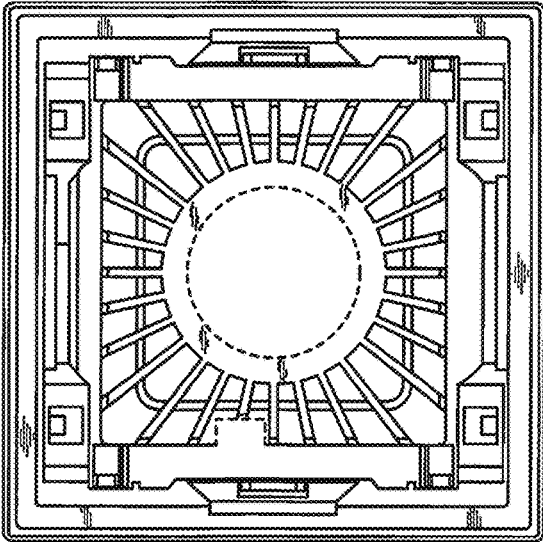


Fig. 7