



US0D1006684S

(12) **United States Design Patent**
Shao et al.

(10) **Patent No.:** **US D1,006,684 S**

(45) **Date of Patent:** **** Dec. 5, 2023**

(54) **ELECTRIC SCOOTER**

(71) Applicant: **Ninebot (Beijing) Tech Co., Ltd.**,
Beijing (CN)

(72) Inventors: **Jinbo Shao**, Beijing (CN); **Peng Cheng**, Beijing (CN); **Lei Liu**, Beijing (CN); **Jun Tang**, Beijing (CN)

(**) Term: **15 Years**

(21) Appl. No.: **35/513,180**

(22) Filed: **Jun. 16, 2021**

(80) **Hague Agreement Data**

Int. Filing Date: **Jun. 16, 2021**
Int. Reg. No.: **DM/215055**
Int. Reg. Date: **Jun. 16, 2021**
Int. Reg. Pub. Date: **Dec. 17, 2021**

(30) **Foreign Application Priority Data**

Dec. 18, 2020 (CN) 202030781938.8

(51) **LOC (14) Cl.** **12-11**

(52) **U.S. Cl.**
USPC **D12/110**

(58) **Field of Classification Search**

USPC D12/110, 111, 117; D21/432, 538
CPC B62K 11/00; B62K 11/02; B62K 11/04;
B62K 11/10; B62K 17/00; B62K 19/00;
B62K 2202/00

See application file for complete search history.

(56) **References Cited**

U.S. PATENT DOCUMENTS

4,487,283 A * 12/1984 Suzuki B62J 35/00
180/68.5
4,715,465 A * 12/1987 Takahashi B62J 17/10
180/219
D475,950 S * 6/2003 Kawano D12/110

D490,750 S * 6/2004 Hoshino D12/110
D503,908 S * 4/2005 Tomomatsu D12/110
D610,490 S * 2/2010 Wong D12/110
D622,636 S * 8/2010 Cheng D12/110
D622,637 S * 8/2010 Schneider D12/110
D632,227 S * 2/2011 Lambri D12/110
D642,497 S * 8/2011 Lin D12/110
D643,782 S * 8/2011 Maccioni D12/110
D644,570 S * 9/2011 Chuang D12/110
D647,006 S * 10/2011 Hung D12/110
D654,402 S * 2/2012 Lambri D12/110
D664,898 S * 8/2012 Van Hooydonk D12/110
D669,395 S * 10/2012 Lambri D12/110

(Continued)

OTHER PUBLICATIONS

Sabrina Giacomini. "Yamaha and Gogoro Team Up To Build Battery-Swapping e-Scooter." Ride Apart., Sep. 14, 2018 [online], [retrieved on Aug. 26, 2022]. Retrieved from the Internet <URL: <https://www.rideapart.com/news/266129/yamaha-gogoro-battery-swap-scooter/>>.*

(Continued)

Primary Examiner — Darlington Ly

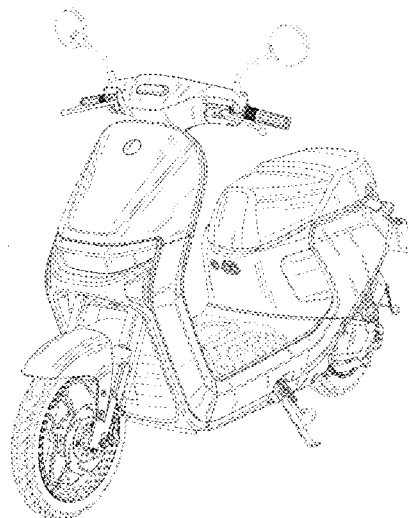
(57) **CLAIM**

The ornamental design for an electric scooter, as shown and described.

DESCRIPTION

1. Electric scooter
1.1 is a front elevation view of an electric scooter embodying our new design;
1.2 is a rear elevation view thereof;
1.3 is a right side elevation view thereof;
1.4 is a left side view thereof;
1.5 is a top plan view thereof;
1.6 is a bottom plan view thereof; and
1.7 is a front and left side perspective view thereof.
The broken lines in the reproductions illustrate portions of the electric scooter that form no part of the claimed design.

1 Claim, 7 Drawing Sheets



(56)

References Cited

U.S. PATENT DOCUMENTS

D669,396	S *	10/2012	Sawatsutipan	D12/110
D673,882	S *	1/2013	Tartarini	D12/110
D678,128	S *	3/2013	Lambri	D12/110
D678,129	S *	3/2013	Kubota	D12/110
D680,911	S *	4/2013	Wu	D12/110
D697,835	S *	1/2014	Kito	D12/110
D726,076	S *	4/2015	Arai	D12/110
D727,799	S *	4/2015	Castrucci	D12/110
9,216,787	B2 *	12/2015	Duncan	B62J 43/23

OTHER PUBLICATIONS

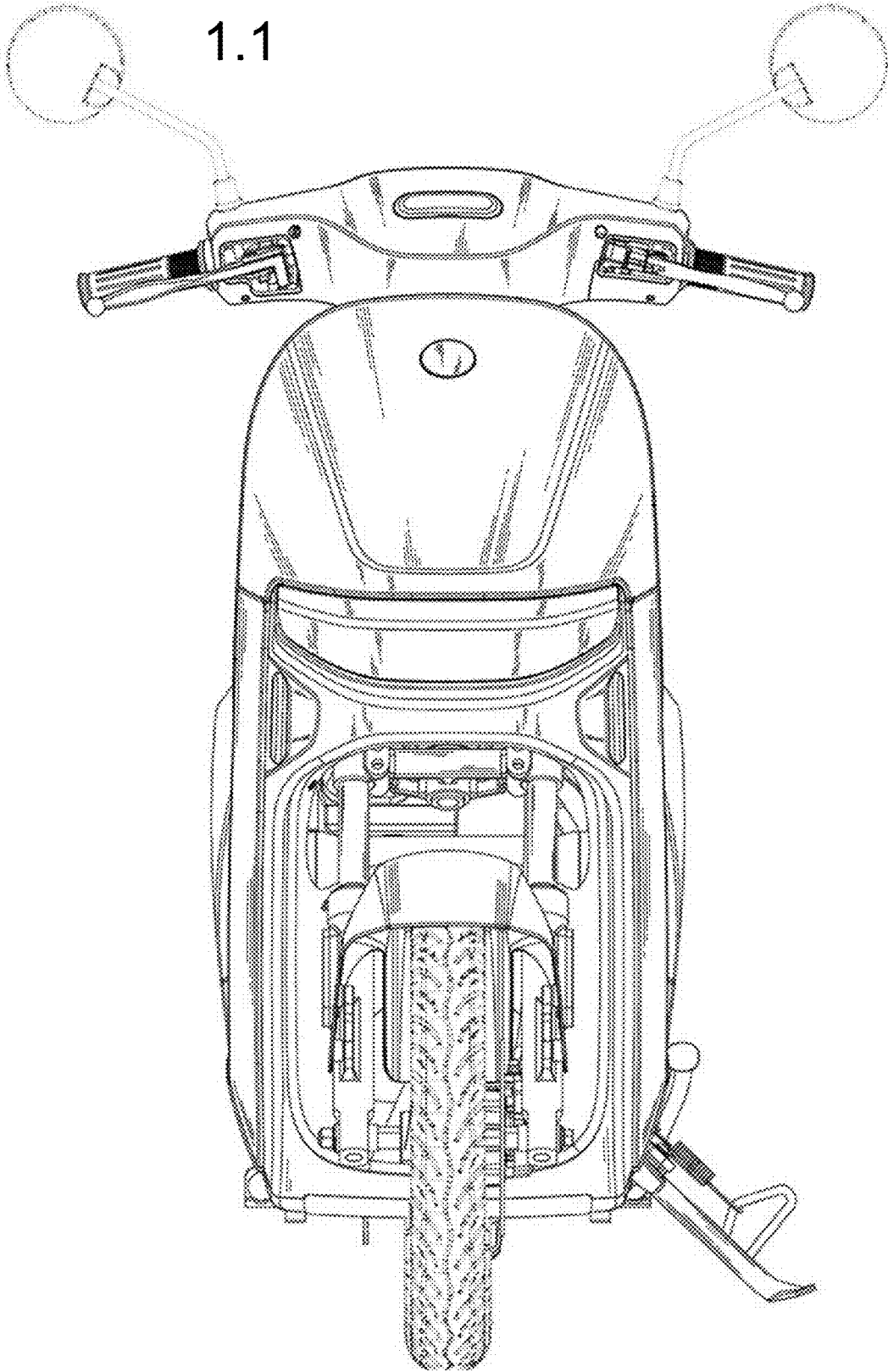
Taiwan Today. "Gogoro sets company record with preorders of new series." Taiwan Times., Jul. 12, 2017 [online], [retrieved on Aug. 26, 2022]. Retrieved from the Internet <URL: <https://www.taiwannews.com.tw/en/news/3208661>>.*

Guy Salens. "Quadro Vehicles presents their electric scooter Oxygen." Electric Motorcycles News., Jun. 22, 2019 [online], [retrieved on Aug. 26, 2022]. Retrieved from the Internet <URL: <https://electricmotorcycles.news/quadro-vehicles-presents-their-electric-scooter-oxygen/>>.*

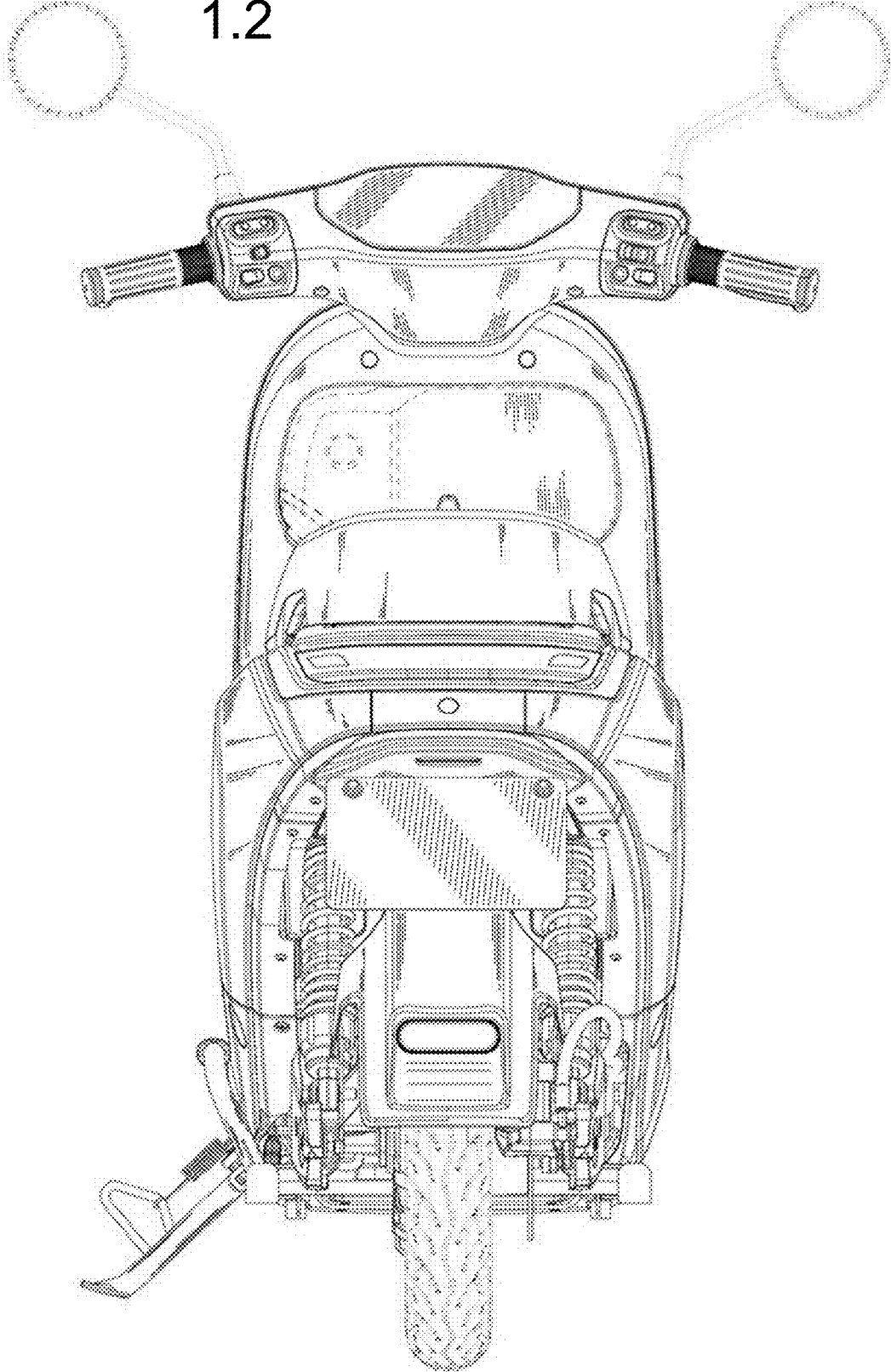
"Vespa Gts—2019 Product Book." Piaggio., Dec. 5, 2018 [online], [retrieved on Aug. 26, 2022]. Retrieved from the Internet <URL: <https://www.piaggio.rs/wp-content/uploads/2019/06/GTS-SVI-MODEL-1.pdf>>.*

"Piaggio—Urban Life—2022 Range." Piaggio., Nov. 22, 2021 [online], [retrieved on Aug. 26, 2022]. Retrieved from the Internet <URL: <https://api.spgnordic.com/wp-content/uploads/2021/06/Piaggio-range-2022.pdf>>.*

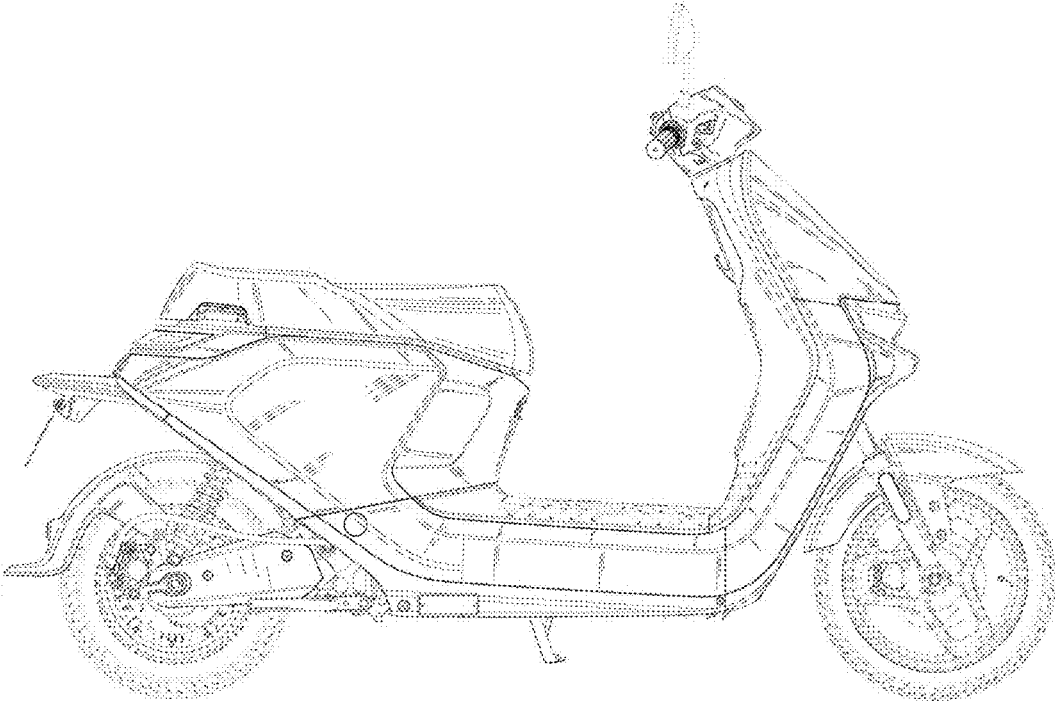
* cited by examiner



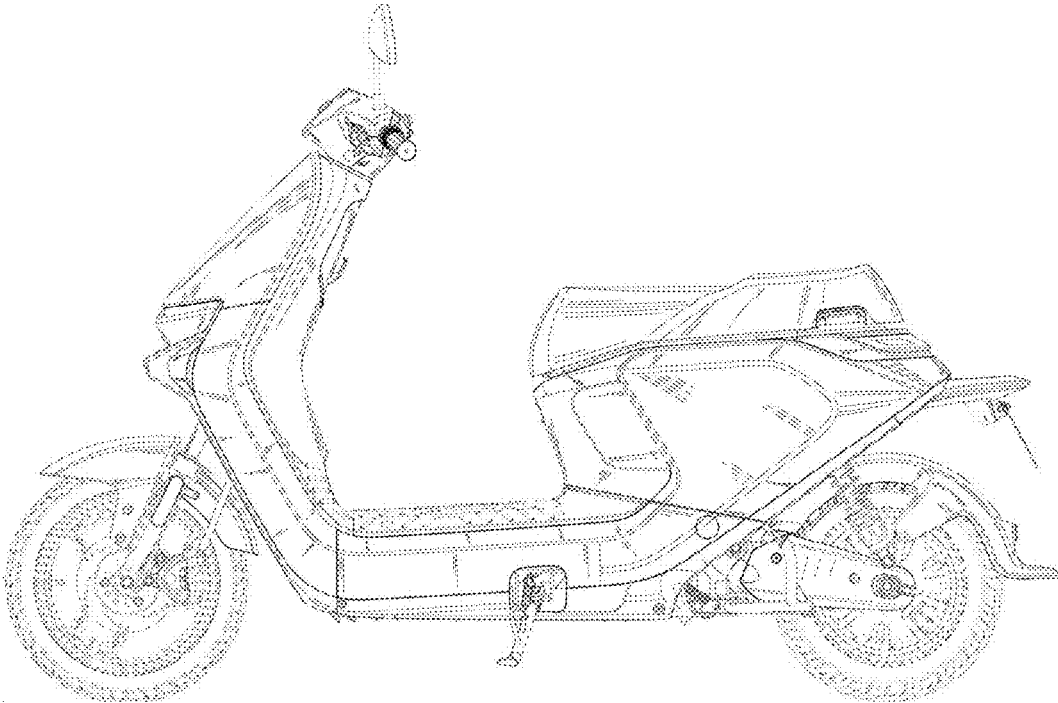
1.2



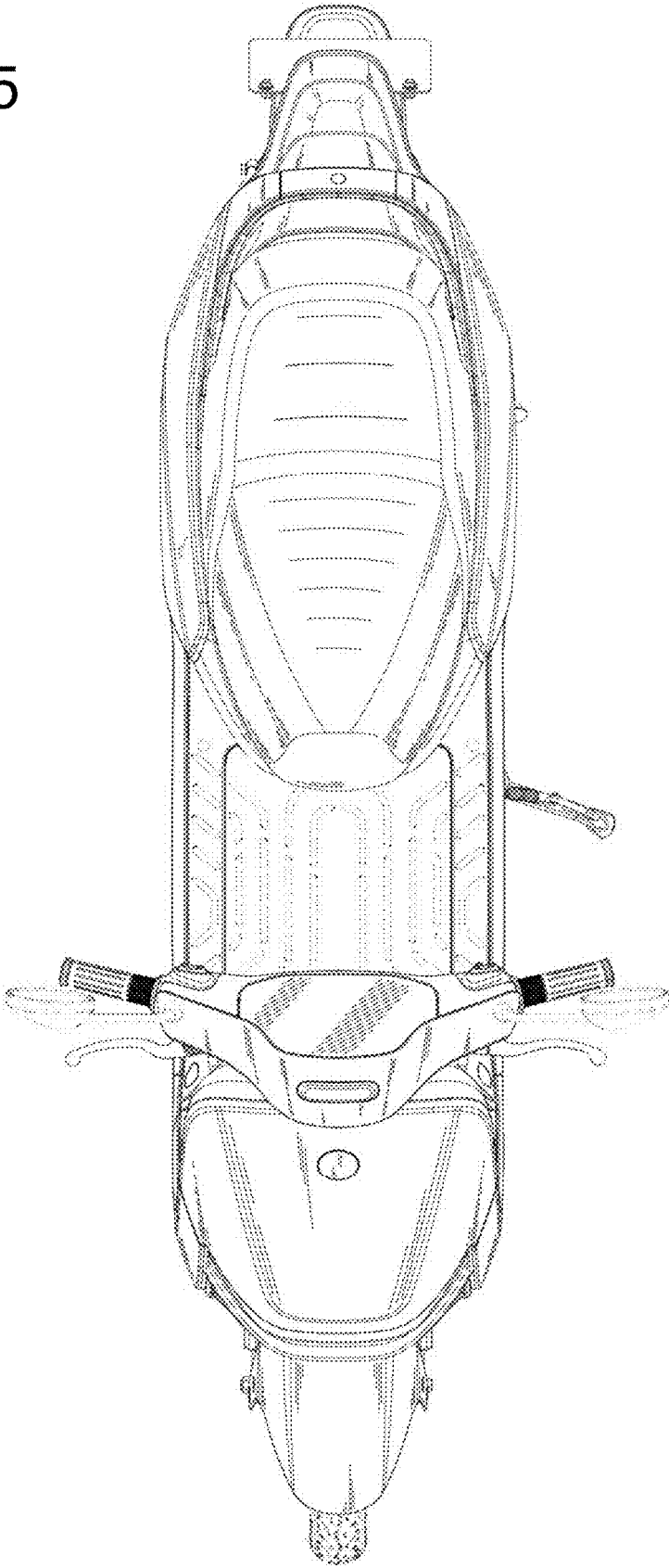
1.3



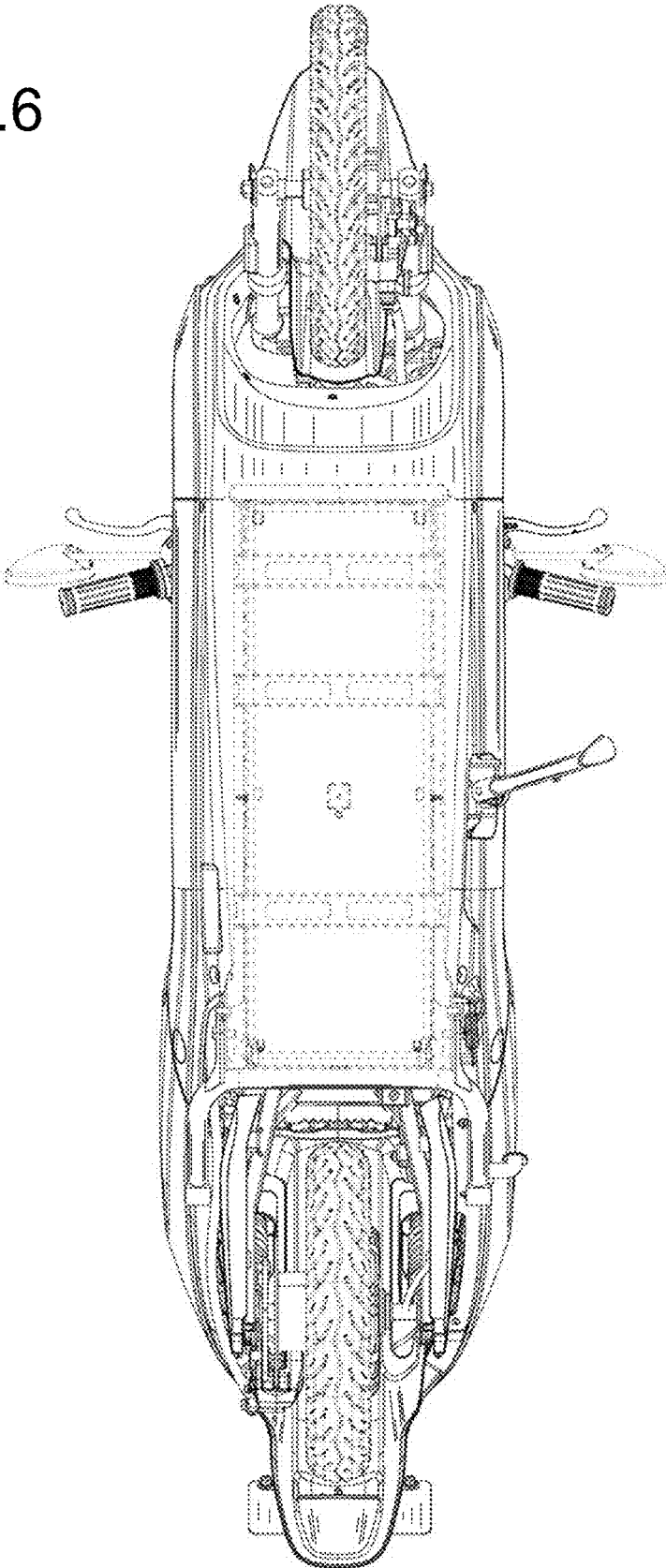
1.4



1.5



1.6



1.7

