



US00D440946S

(12) **United States Design Patent**
Yu

(10) **Patent No.:** **US D440,946 S**

(45) **Date of Patent:** **** Apr. 24, 2001**

(54) **SWITCH**

(76) **Inventor:** **Tsung-Mou Yu**, No. 4, Alley 2, Lane 23, Sec. 3, Pa Te Road, Panchiao, Taipei (TW)

(**) **Term:** **14 Years**

(21) **Appl. No.:** **29/129,267**

(22) **Filed:** **Sep. 11, 2000**

(51) **LOC (7) Cl.** **13-03**

(52) **U.S. Cl.** **D13/169**

(58) **Field of Search** D13/158, 160, D13/169, 171, 173, 174; 200/315, 339, 295, 296, 5 A, 6 R

(56) **References Cited**

U.S. PATENT DOCUMENTS

- D. 189,579 * 1/1961 Larkin D13/169
- D. 256,011 * 7/1980 Matsuda D13/169 X
- D. 323,613 * 2/1992 Cummins et al. D13/169 X

- D. 331,743 * 12/1992 Fujiyoshi D13/169
- D. 408,792 * 4/1999 Hwang D13/169 X
- D. 416,871 * 11/1999 Todd D13/169
- 3,706,869 * 12/1972 Sorenson 200/295
- 4,899,063 * 2/1990 Suck 200/5 A X

* cited by examiner

Primary Examiner—Brian N. Vinson

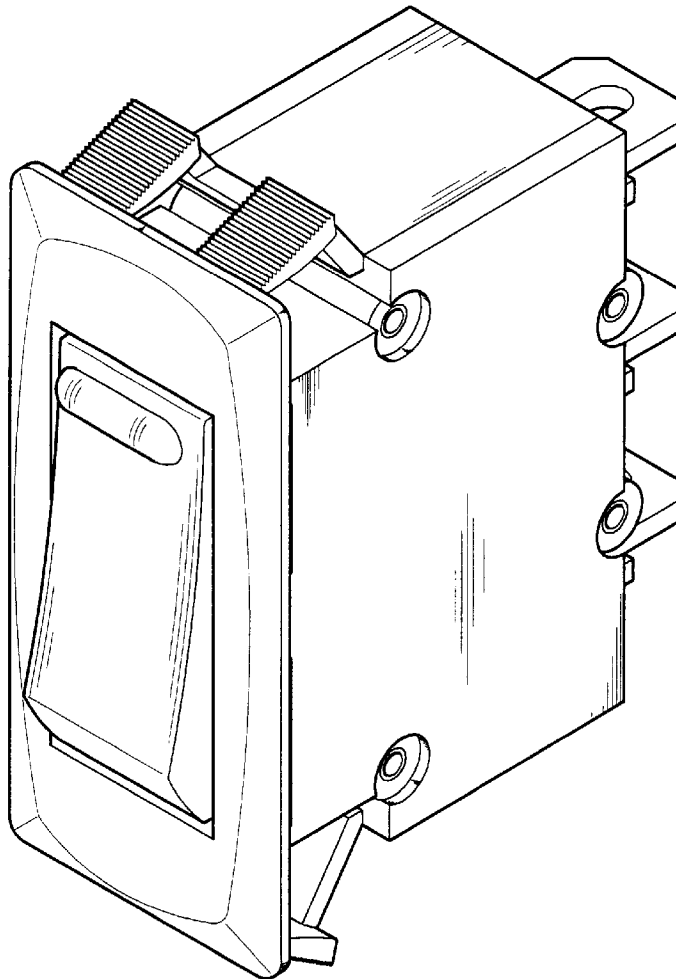
(57) **CLAIM**

The ornamental design for a switch, as shown and described.

DESCRIPTION

FIG. 1 is a perspective view of a switch showing my new design;
 FIG. 2 is a front elevational view thereof;
 FIG. 3 is a rear elevational view thereof;
 FIG. 4 is a left side elevational view thereof;
 FIG. 5 is right side elevational view thereof;
 FIG. 6 is a top view thereof; and,
 FIG. 7 is a bottom view thereof.

1 Claim, 7 Drawing Sheets



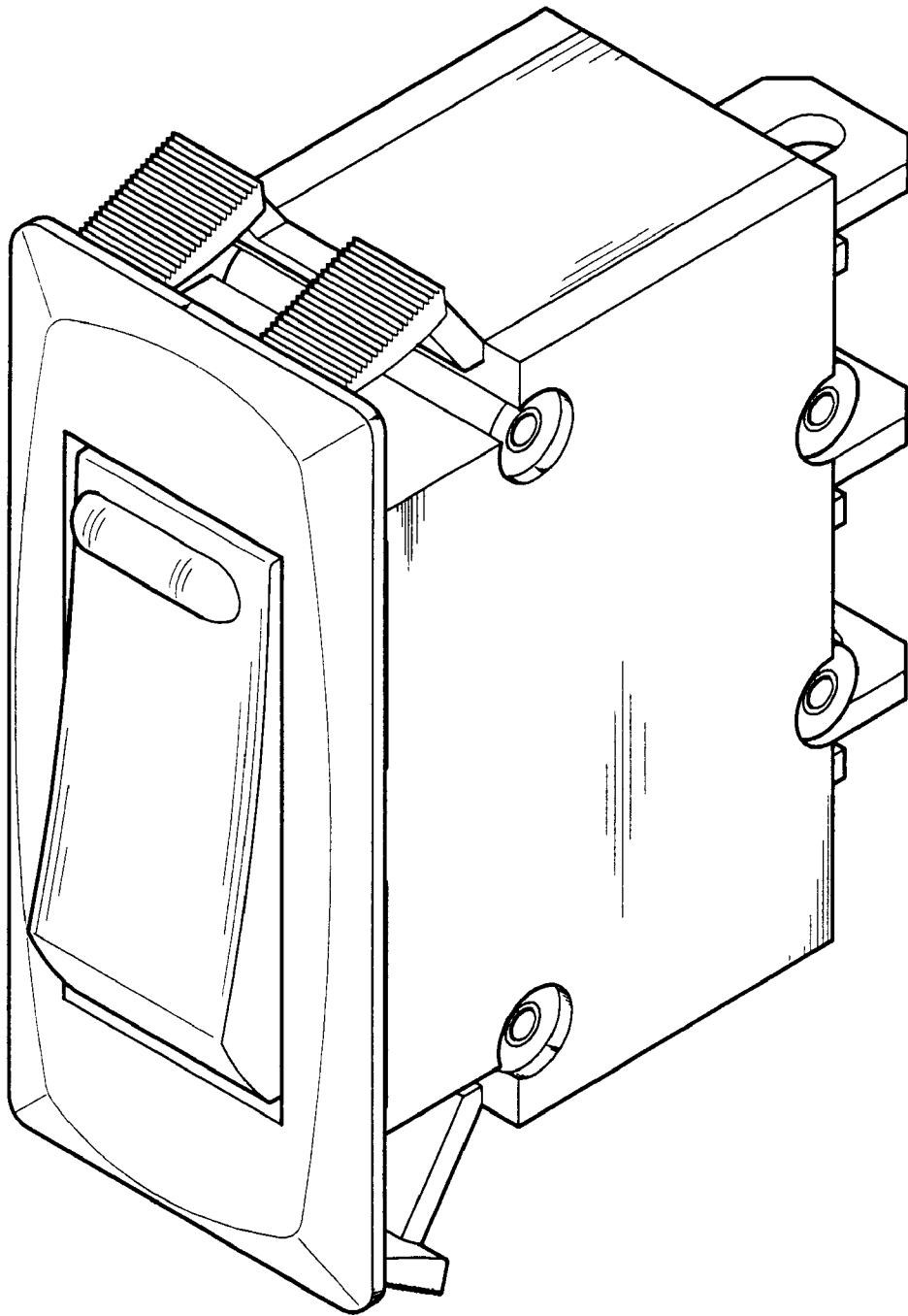


Fig.1

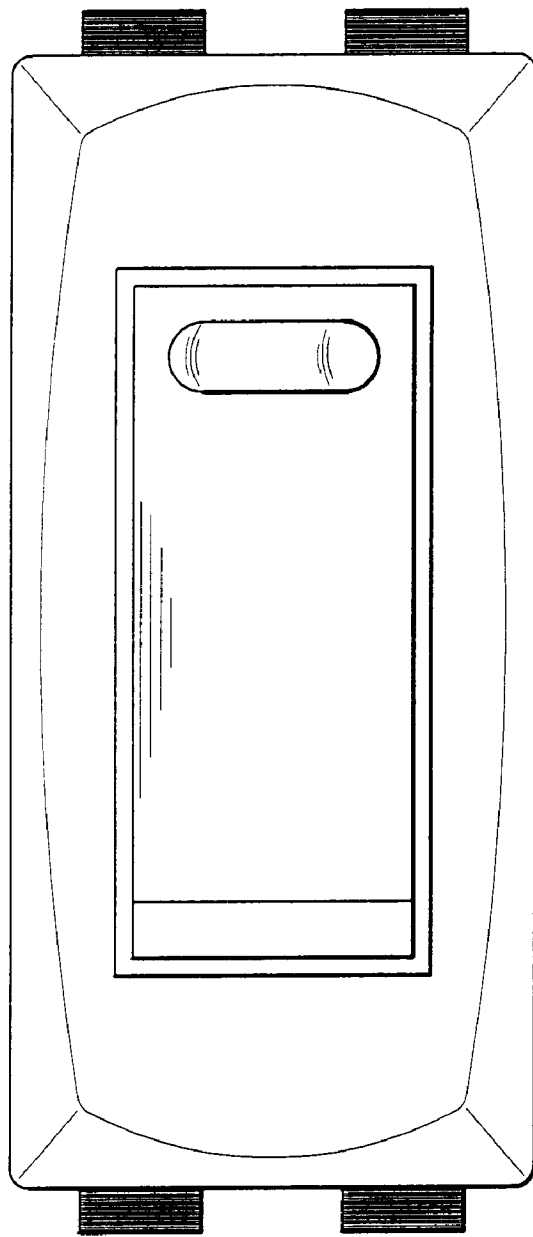


Fig.2

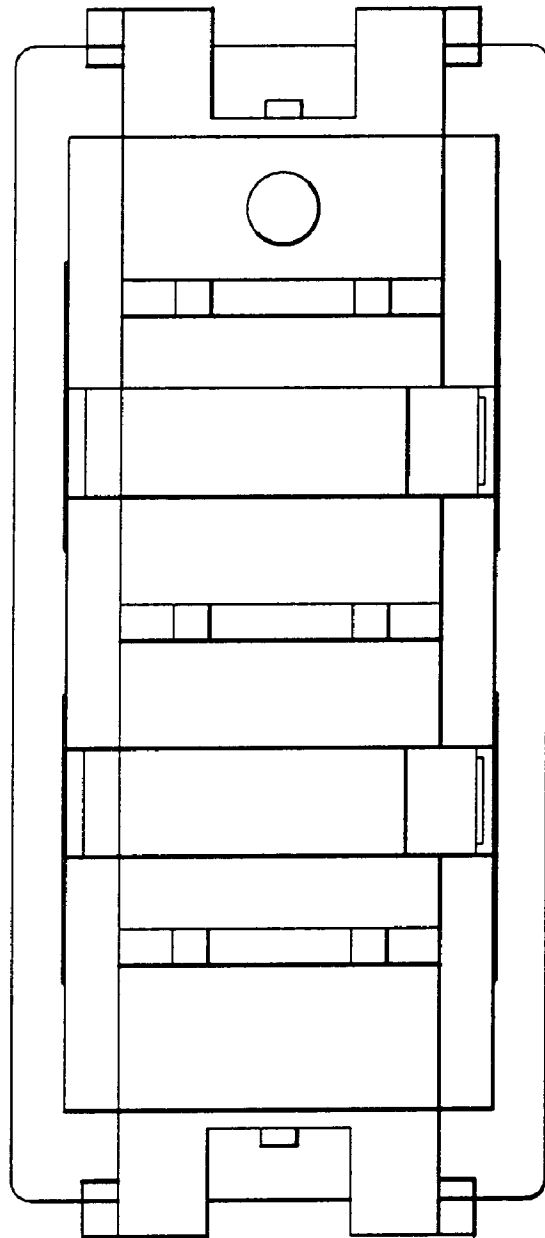


Fig.3

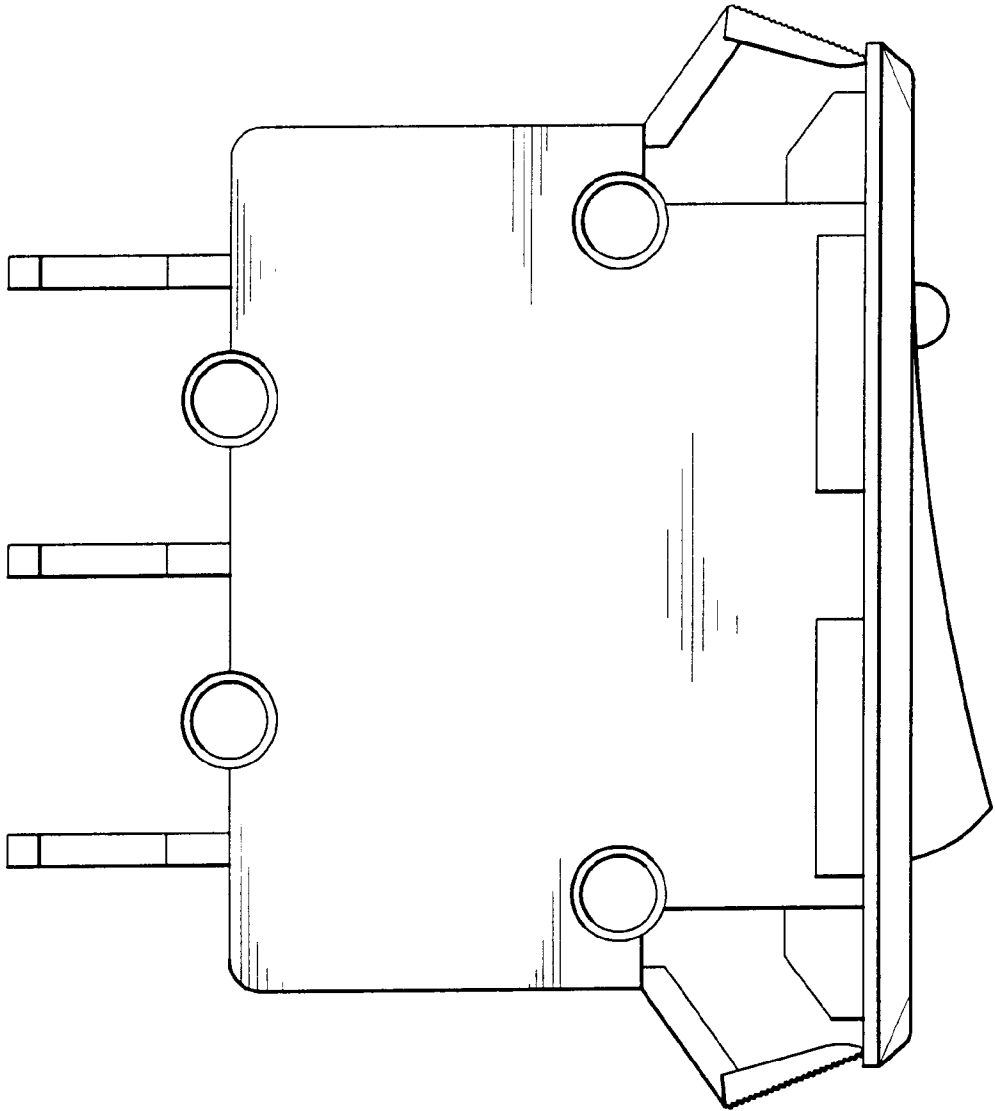


Fig.4

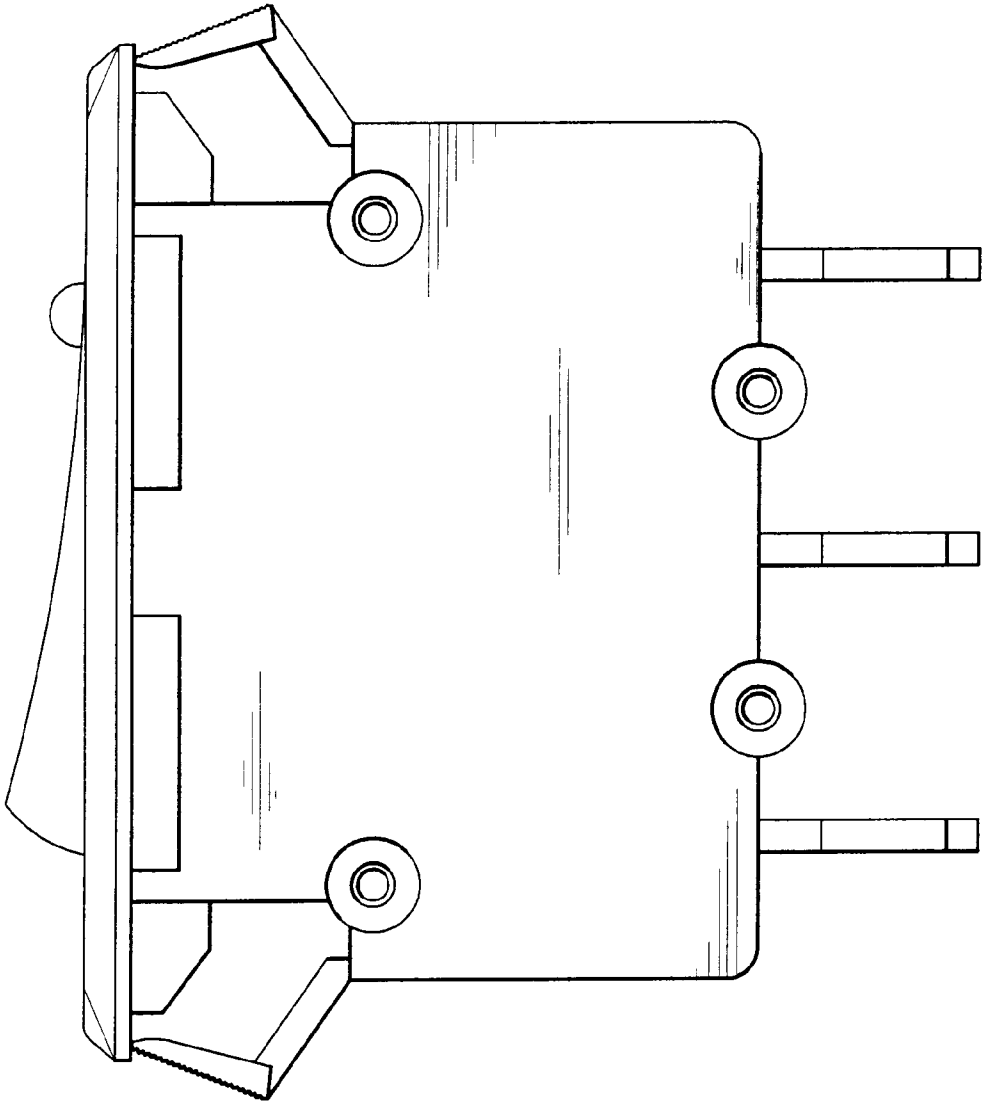


Fig.5

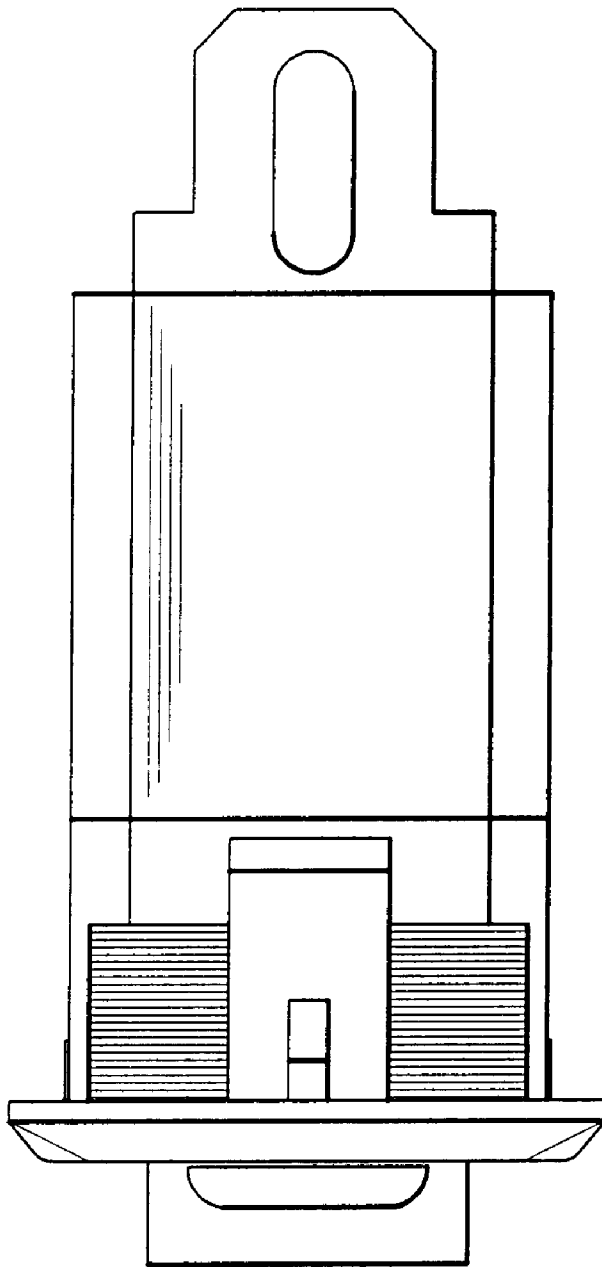


Fig.6

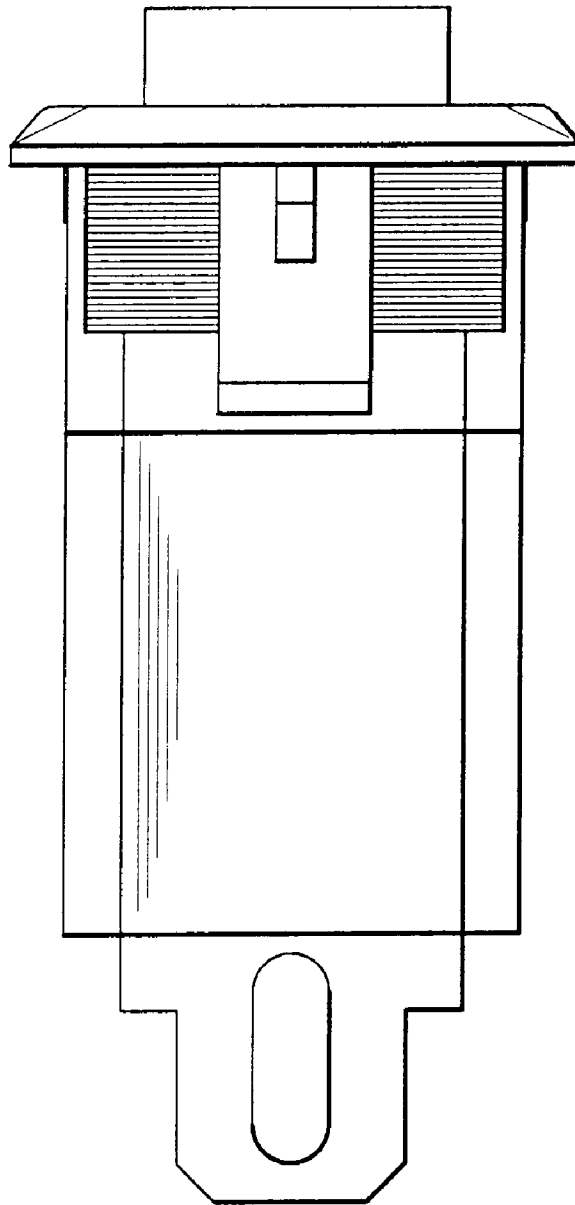


Fig.7