



US00D922198S

(12) **United States Design Patent**  
**Smith et al.**

(10) **Patent No.:** **US D922,198 S**

(45) **Date of Patent:** **\*\* Jun. 15, 2021**

(54) **CONTAINER LID**

(56) **References Cited**

(71) Applicant: **All Plastic, Inc.**, Gold River, CA (US)

U.S. PATENT DOCUMENTS

(72) Inventors: **William Thomas Smith**, Fair Oaks, CA (US); **Cheryl Ann Smith**, Fair Oaks, CA (US)

D128,936	S	8/1941	Foley	
D181,321	S	10/1957	Stowell	
2,807,901	A	10/1957	Gilowitz	
3,018,024	A	* 1/1962	Foord	B65D 47/0842 222/498

(73) Assignee: **ALL PLASTIC, INC.**, Rancho Cordova, CA (US)

3,247,995	A	4/1966	Jensen	
D215,413	S	* 9/1969	Donovan	D9/425
3,656,840	A	4/1972	Smith et al.	
D234,343	S	* 2/1975	Schick	D9/436

(\*\*) Term: **15 Years**

4,106,660	A	8/1978	Boyle	
D255,546	S	6/1980	Zaidmann	
4,230,231	A	10/1980	Burnett et al.	

(21) Appl. No.: **29/763,822**

4,284,200	A	8/1981	Bush et al.	
D272,595	S	2/1984	Chase et al.	
D283,099	S	* 3/1986	Shabram, Sr.	D7/392

(22) Filed: **Dec. 24, 2020**

D292,887	S	11/1987	Schouten	
D303,428	S	9/1989	Wada	
4,979,332	A	12/1990	Nagaya et al.	

**Related U.S. Application Data**

(60) Division of application No. 29/733,779, filed on May 6, 2020, now Pat. No. Des. 908,484, which is a division of application No. 29/665,425, filed on Oct. 3, 2018, now Pat. No. Des. 887,843, which is a continuation-in-part of application No. 29/663,940, filed on Sep. 20, 2018, now Pat. No. Des. 902,028, which is a continuation-in-part of application No. 29/663,942, filed on Sep. 20, 2018, now Pat. No. Des. 904,185, which is a continuation-in-part of application No. 29/659,740, filed on Aug. 10, 2018, now Pat. No. Des. 902,718.

D322,323	S	12/1991	Moir	
D340,187	S	10/1993	Forsyth	
5,321,908	A	6/1994	Ushimaru	

(51) **LOC (13) Cl.** ..... **09-07**

D351,906	S	* 10/1994	Marsh	D24/131
5,363,801	A	11/1994	Walters et al.	
5,927,007	A	7/1999	Oda et al.	

(52) **U.S. Cl.**

USPC ..... **D9/436**; D6/677; D9/431; D9/422; D9/418

6,013,524	A	1/2000	Friars et al.	
D455,552	S	4/2002	Charness	
6,571,972	B1	6/2003	Bouc et al.	

(58) **Field of Classification Search**

USPC ..... D9/414, 418, 422, 423, 424, 428, 431, D9/436, 454, 503, 504, 549, 721; D6/677

D476,572	S	7/2003	Merritt	
D480,307	S	10/2003	Canamasas Puigbo	
6,761,287	B2	7/2004	Caruso	

CPC ..... B65D 25/54; B65D 25/106; B65D 25/22; B65D 51/24; B65D 51/245; A47F 3/145; A47F 7/286

D493,721	S	8/2004	Puigbo	
D493,722	S	8/2004	Cooper	
D513,979	S	1/2006	Snedden et al.	

See application file for complete search history.

D517,405	S	3/2006	Snedden et al.	
D518,728	S	4/2006	Frantz	
D523,752	S	6/2006	Bried	

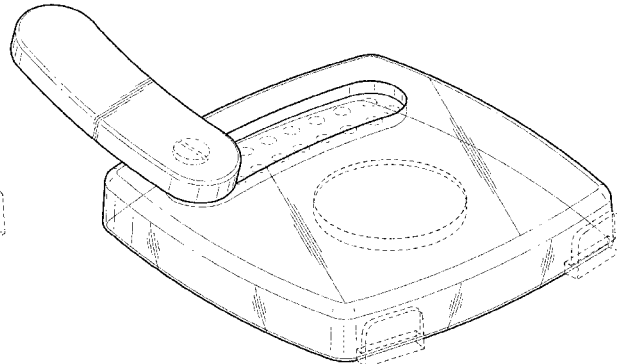
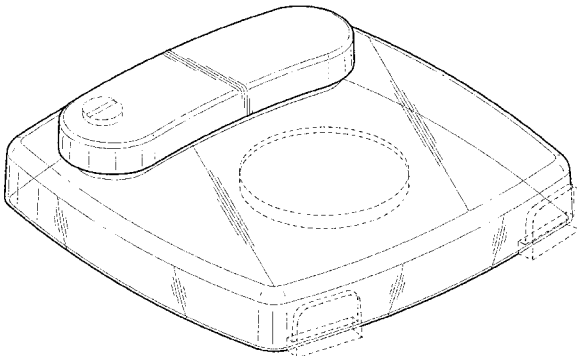
7,185,827	B2	3/2007	Quintard et al.	
D547,177	S	7/2007	Sherman et al.	
D588,450	S	3/2009	Snedden et al.	

D590,706	S	4/2009	Doliwa et al.	
D591,148	S	4/2009	Parikh et al.	
D600,111	S	9/2009	Gerulski et al.	

D621,603	S	8/2010	Traylor	
D630,949	S	1/2011	Lim	
D646,969	S	10/2011	Snedden et al.	

D647,530	S	10/2011	Busch	
8,079,478	B2	12/2011	Short et al.	
D655,604	S	3/2012	Molina	

D671,831	S	12/2012	Moreau	
----------	---	---------	--------	--



D685,227 S	7/2013	Boonprasop		Magazine AD for Bud Bar Displays™. Marijuana Business Magazine, vol. 2, Issue 4, Jul. 1, 2015. 2 pages.
8,544,208 B2	10/2013	Huang		Magazine AD for Bud Bar Displays™. Marijuana Venture Magazine, Jun. 1, 2017. 3 pages.
D696,948 S	1/2014	Kim		Magazine AD for Bud Bar Displays™. MG-Magazine.com, Feb. 1, 2016.2 pages.
D702,547 S	4/2014	Akana		Magazine AD for Bud Bar Displays™. The News Tribune, Aug. 15, 2014. 2 pages.
D703,055 S	4/2014	Park		Magazine AD showing Bud Bar Displays™. Dope Magazine, Issue #7, Dec. 1, 2015. 2 pages.
8,925,725 B1	1/2015	Burnett		Pictures of Bud Bar Displays™ booth at the KushCon Convention, which features the Epods. Denver, Colorado, Dec. 1, 2010. 3 pages.
D731,891 S	6/2015	Servaire		Website photo. 3 Tier Lighted Display. www.budbardisplays.com. Published Jul. 9, 2017.
D749,381 S	2/2016	Magri		Website photo. Aroma epod. www.budbardisplays.com. Published Jan. 23, 2016.
D765,389 S	9/2016	Martin		Website photo. BudBar. www.budbardisplays.com. Published Jan. 23, 2016.
D769,079 S	10/2016	Kotani		Website photo. Bud bar cabinet. www.budbardisplays.com. Published Jul. 9, 2017.
D775,959 S	1/2017	Owen		Website photo. Bud Pod. www.budbardisplays.com. Published Jul. 9, 2017.
D778,718 S	2/2017	Smith et al.		Website photo. Bud-Pod. www.budbardisplays.com. Published Jan. 23, 2016.
9,630,747 B2	4/2017	Smith et al.		Website photo. Budtender1. www.budbardisplays.com. Published Jul. 9, 2017.
D794,944 S	8/2017	Martin		Website photo. Canna pod. www.budbardisplays.com. Published Jul. 9, 2017.
D806,543 S	1/2018	Finkbohner		Website photo. cannabisaroma cannapod. www.budbardisplays.com. Published Jan. 23, 2016.
D812,939 S	3/2018	Modlin		Website photo. e-Pod. www.budbardisplays.com. Published Jul. 9, 2017.
D814,831 S	4/2018	Modlin		Website photo. Eco Pod Cabinet. www.budbardisplays.com. Published Jul. 9, 2017.
9,981,790 B1	5/2018	Ost		Website photo. Epod. www.budbardisplays.com. Published Jan. 23, 2016.
D821,738 S	7/2018	Small		Website photo. Highlight display. www.budbardisplays.com. Published Jan. 23, 2016.
D830,779 S	10/2018	Li et al.		Website photo. Sample pod package. www.budbardisplays.com. Published Jul. 9, 2017.
D842,494 S	3/2019	Lee		Website photo. Security seals for pods. www.budbardisplays.com. Published Jul. 9, 2017.
D849,526 S	5/2019	Sanders et al.		Website photo. Tether on Bud Pod3. www.budbardisplays.com. Published Jul. 9, 2017.
D855,449 S	8/2019	Smith		Author Unknown, Bud Pod Seals Airtight for Freshness; Published Sep. 14, 2018. Retrieved Nov. 5, 2019 from www. udbardisplays.com/product/pods/bud-pod.
10,384,834 B2	8/2019	Smith et al.		U.S. Appl. No. 29/659,740, filed Aug. 10, 2018, William Thomas Smith.
D859,894 S	9/2019	Smith		U.S. Appl. No. 29/663,940, filed Sep. 20, 2018, William Thomas Smith.
D861,475 S	10/2019	Giwani		U.S. Appl. No. 29/665,425, filed Oct. 3, 2018, William Thomas Smith.
D862,226 S	10/2019	Horn		U.S. Appl. No. 29/733,779, filed May 6, 2020, William Thomas Smith.
D863,053 S	10/2019	Smith		
D866,334 S	11/2019	Wieland		
D870,507 S *	12/2019	Whaley	D7/391	
D876,945 S	3/2020	Smith		
D899,920 S *	10/2020	Smith	D9/424	
D902,028 S *	11/2020	Smith	D9/428	
D904,185 S *	12/2020	Smith	D9/431	
D908,484 S *	1/2021	Smith	D9/428	
2003/0234208 A1	12/2003	Huang		
2005/0092751 A1	5/2005	Alvares		
2007/0051826 A1	3/2007	Schofield		
2007/0187406 A1 *	8/2007	Nobile	B65D 83/0811 220/254.4	
2009/0057326 A1	3/2009	Opitz		
2009/0261100 A1	10/2009	McMinn		
2010/0300370 A1	12/2010	Hundt		
2013/0313217 A1	11/2013	Yamamoto et al.		
2016/0031605 A1	2/2016	Bean et al.		
2016/0257458 A1 *	9/2016	Pentelovitch	B65D 39/12	
2016/0318672 A1	9/2016	Smith		
2017/0190482 A1	7/2017	Smith et al.		
2017/0275075 A1	9/2017	Bamonte		
2018/0016065 A1 *	1/2018	Ho	B65D 21/0209	
2018/0362215 A1	12/2018	Whetsel		
2019/0009967 A1	1/2019	Lung		
2019/0152648 A1	5/2019	Parve		
2020/0130901 A1	4/2020	Karll		
2020/0307875 A1 *	10/2020	Abbasi	B65D 51/24	

## FOREIGN PATENT DOCUMENTS

EP 1779885 5/2007

## OTHER PUBLICATIONS

Facebook post showing sample containers, Oct. 22, 2016. <https://www.facebook.com/BudBarDisplays/photos/a.1250515684990657/1251439121564980/?type=3&theater> (1 page).

Bud Pod and Bud pod security tether close up. Publication on Facebook Oct. 21, 2016. <https://www.facebook.com/BudBarDisplays/photos/a.1250515684990657/1250523611656531/?type=3&theater>.

Budtender Demo-Bud Bar Displays. Publication on youtube dated May 7, 2017—<https://www.youtube.com/watch?v=JRd6B1ZXZIk>.

Magazine AD for Bud Bar Displays™. 3rd Annual Marijuana Business Conference & Expo, Las Vegas, NV, Nov. 1, 2014. 3 pages.

Magazine AD for Bud Bar Displays™ Canna Con, Denver Colorado, Jun. 1, 2015. 3 pages.

\* cited by examiner

Primary Examiner — Lauren R Calve  
(74) Attorney, Agent, or Firm — Ballard Spahr LLP

(57)

## CLAIM

We claim the ornamental design for a container lid, as shown and described.

## DESCRIPTION

FIG. 1 is a perspective view of a container lid in accordance with a first variant of said Design, in which the plug is in a closed position;

FIG. 2 is a rear view of the container lid shown in FIG. 1; FIG. 3 is a right side view of the container lid shown FIG. 1; FIG. 4 is a front view of the container lid shown in FIG. 1; FIG. 5 is a left side view of the container lid shown in FIG. 1; FIG. 6 is a top plan view of the container lid shown in FIG. 1; FIG. 7 is a bottom plan view of the container lid shown in FIG. 1; FIG. 8 is a perspective view of the container lid shown in FIG. 1, with an exemplary environmental container; FIG. 9 is a perspective view of a container lid shown in FIG. 1, in which the plug is in an open position; FIG. 10 is a rear view of the container lid shown in FIG. 9; FIG. 11 is a right side view of the container lid shown in FIG. 9; FIG. 12 is a front view of the container lid shown in FIG. 9; FIG. 13 is a left side view of the container lid shown in FIG. 9; FIG. 14 is a top plan view of the container lid shown in FIG. 9; FIG. 15 is a bottom plan view of the container lid shown in FIG. 9; FIG. 16 is a perspective view of the container lid shown in FIG. 9, with an exemplary environmental container; FIG. 17 is a perspective view of a container lid in accordance with a second variant of said Design, in which the plug is in a closed position;

FIG. 18 is a rear view of the container lid shown in FIG. 17; FIG. 19 is a right side view of the container lid shown FIG. 17; FIG. 20 is a front view of the container lid shown in FIG. 17; FIG. 21 is a left side view of the container lid shown in FIG. 17; FIG. 22 is a top plan view of the container lid shown in FIG. 17; FIG. 23 is a bottom plan view of the container lid shown in FIG. 17; FIG. 24 is a perspective view of the container lid shown in FIG. 17, with an exemplary environmental container; FIG. 25 is a perspective view of the container lid shown in FIG. 17, in which the plug is in an open position; FIG. 26 is a rear view of the container lid shown in FIG. 25; FIG. 27 is a right side view of the container lid shown in FIG. 25; FIG. 28 is a front view of the container lid shown in FIG. 25; FIG. 29 is a left side view of the container lid shown in FIG. 25; FIG. 30 is a top plan view of the container lid shown in FIG. 25; FIG. 31 is a bottom plan view of the container lid shown in FIG. 25; and, FIG. 32 is a perspective view of the container lid shown in FIG. 25, with an exemplary environmental container. The broken lines depict portions of the article that form no part of the claimed design.

**1 Claim, 24 Drawing Sheets**

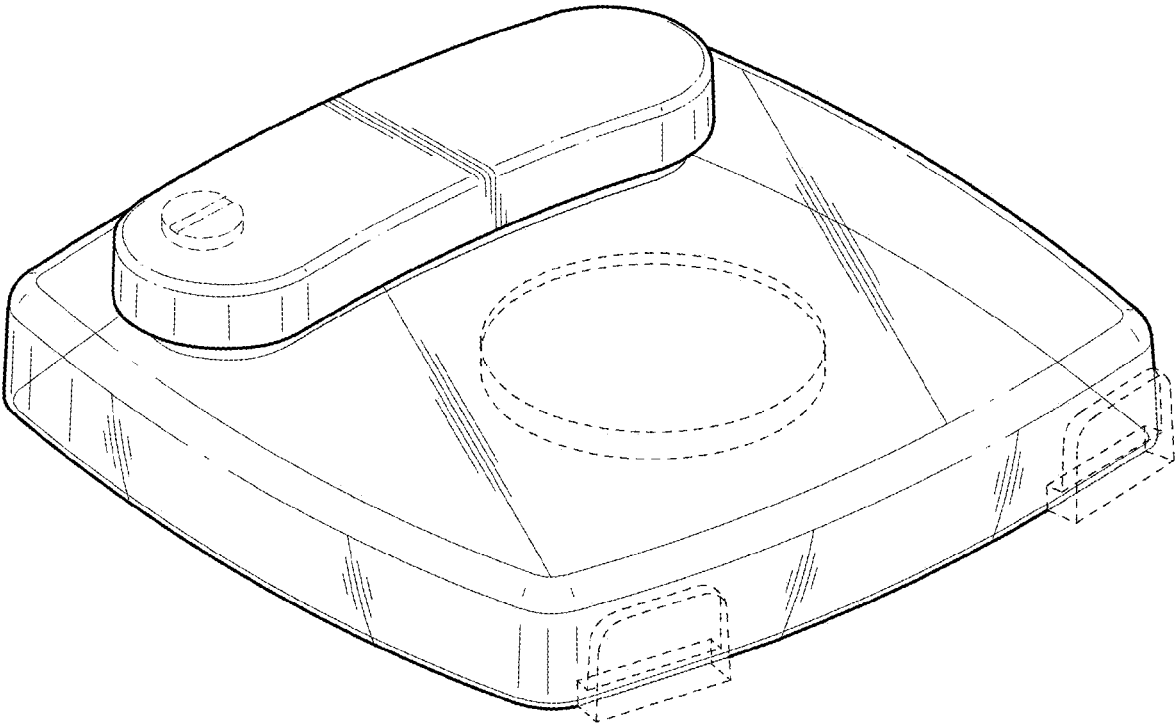
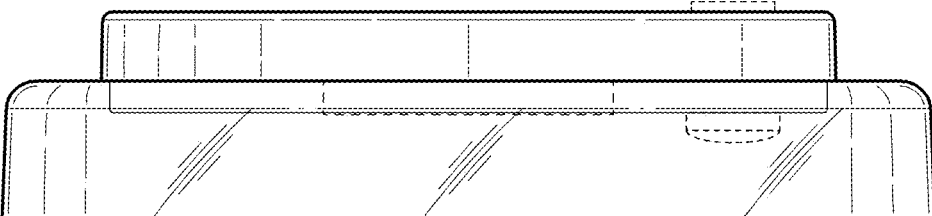
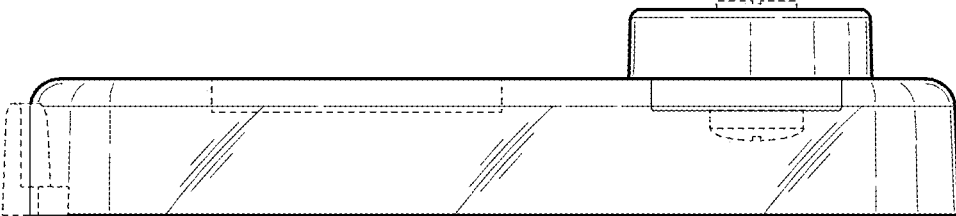


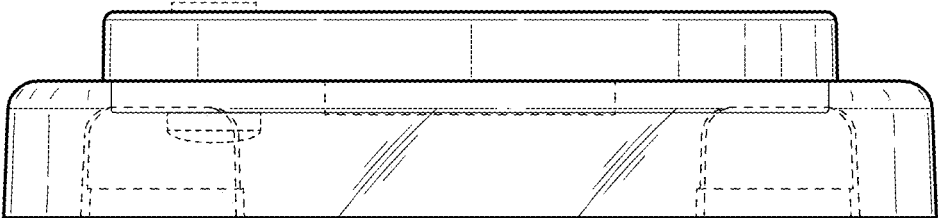
FIG. 1



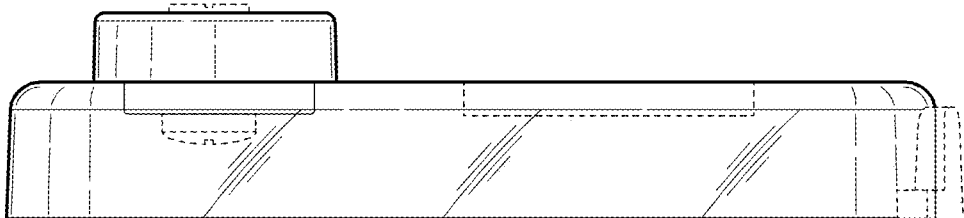
**FIG. 2**



**FIG. 3**



**FIG. 4**



**FIG. 5**

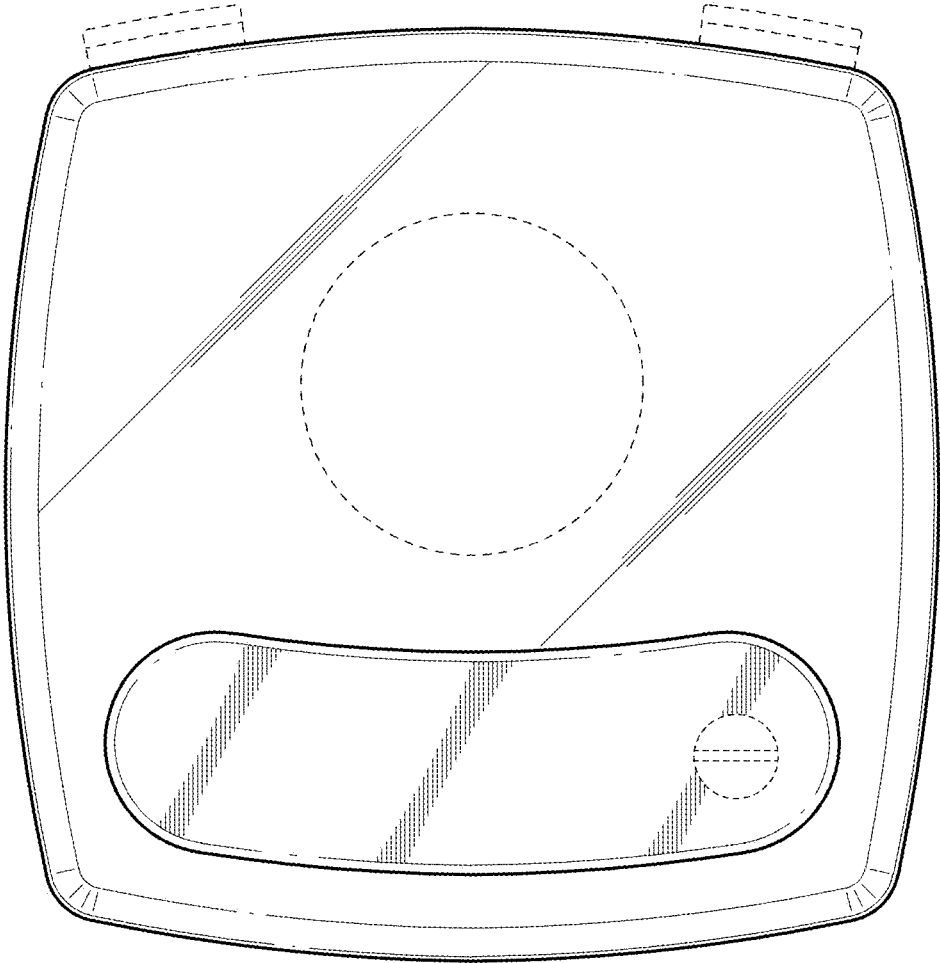
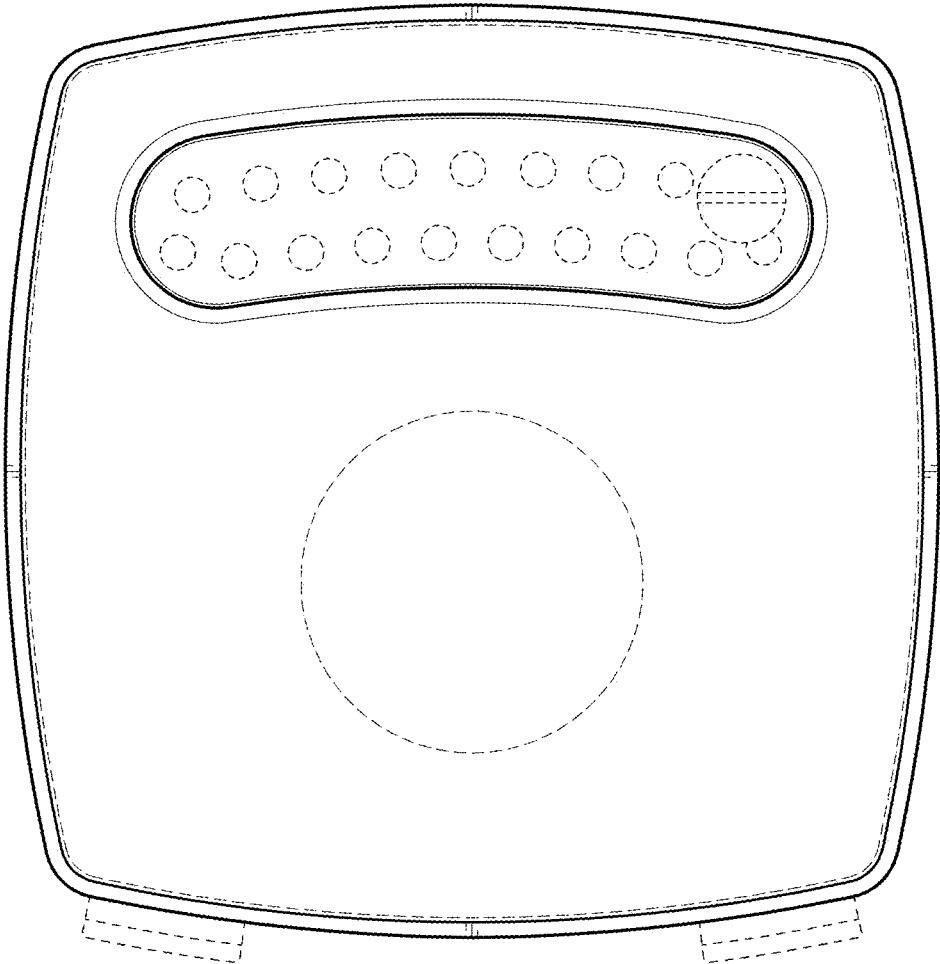
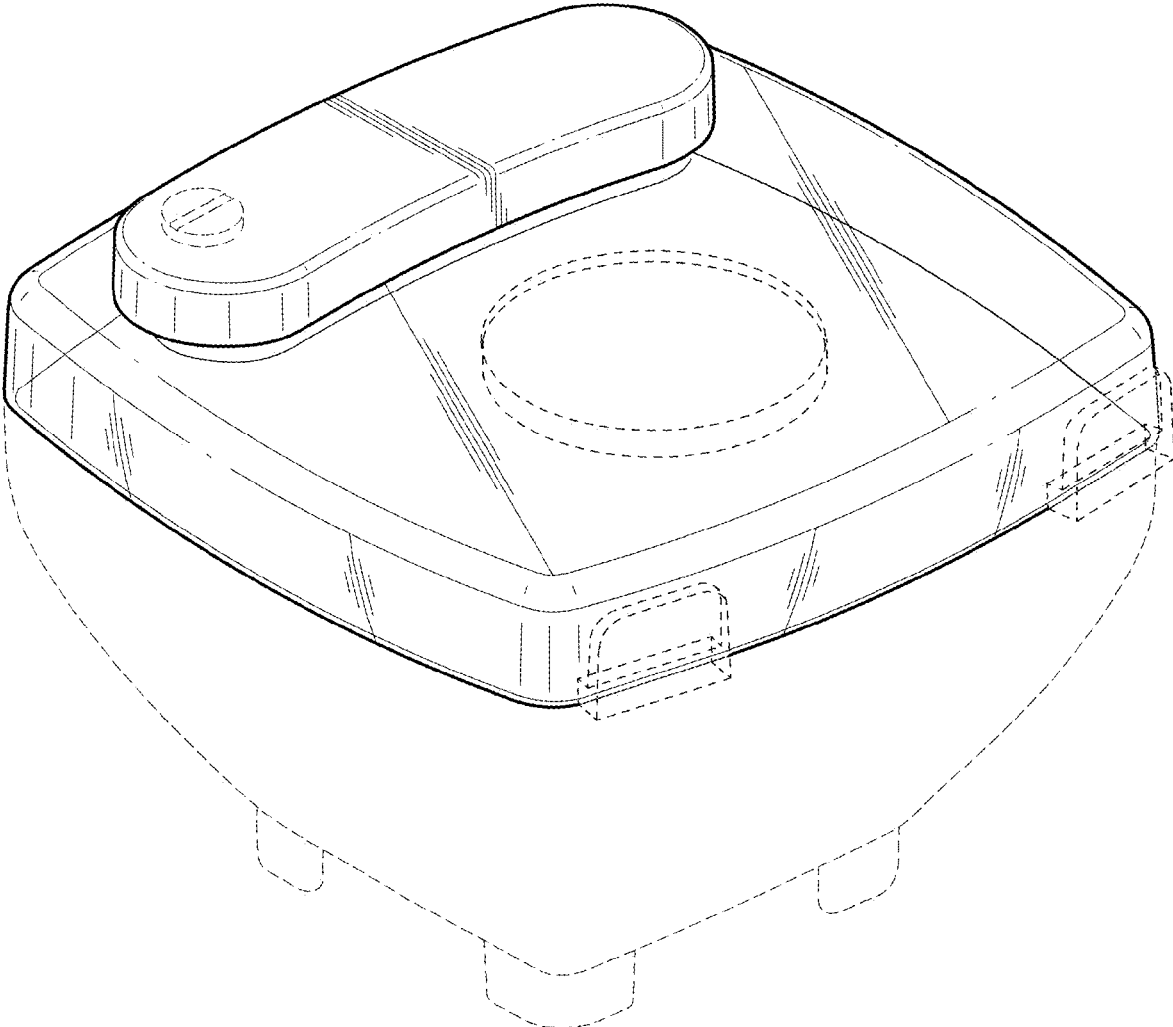


FIG. 6



**FIG. 7**





**FIG. 8**

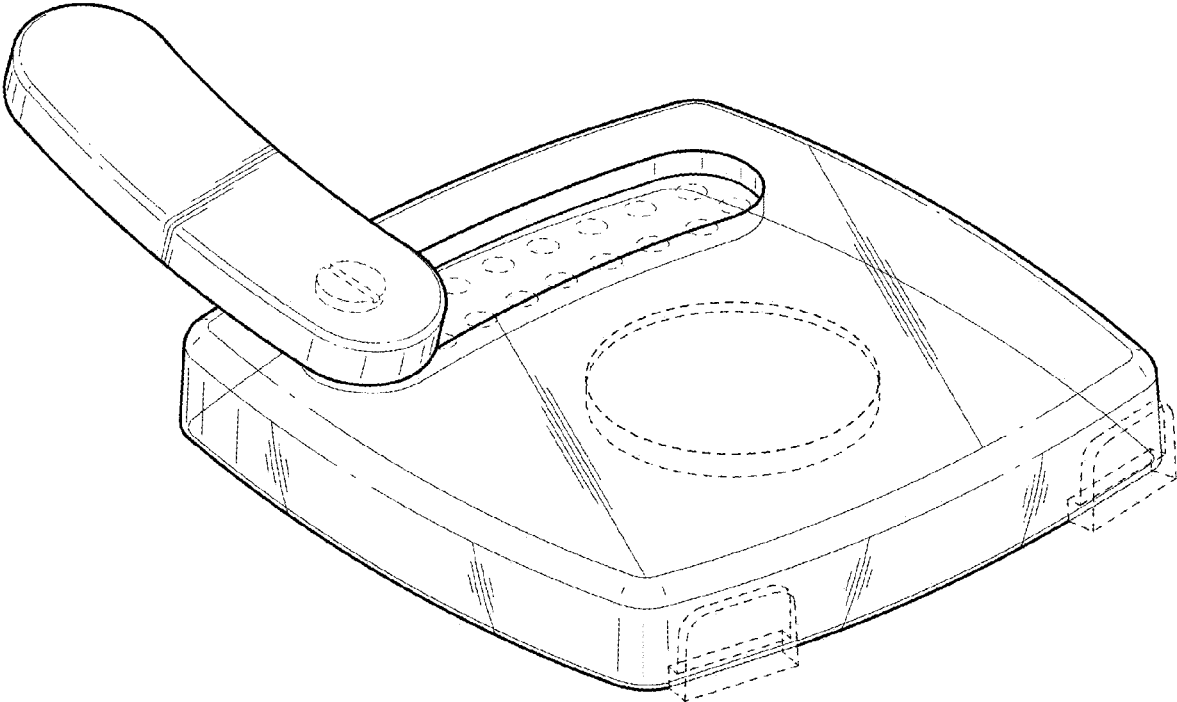


FIG. 9

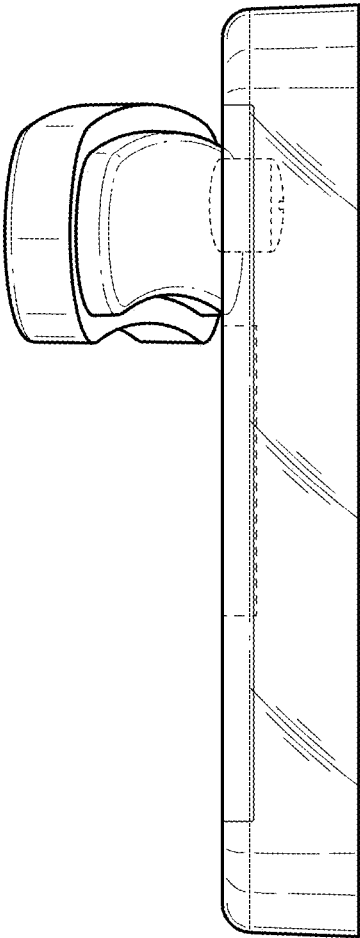


FIG. 10

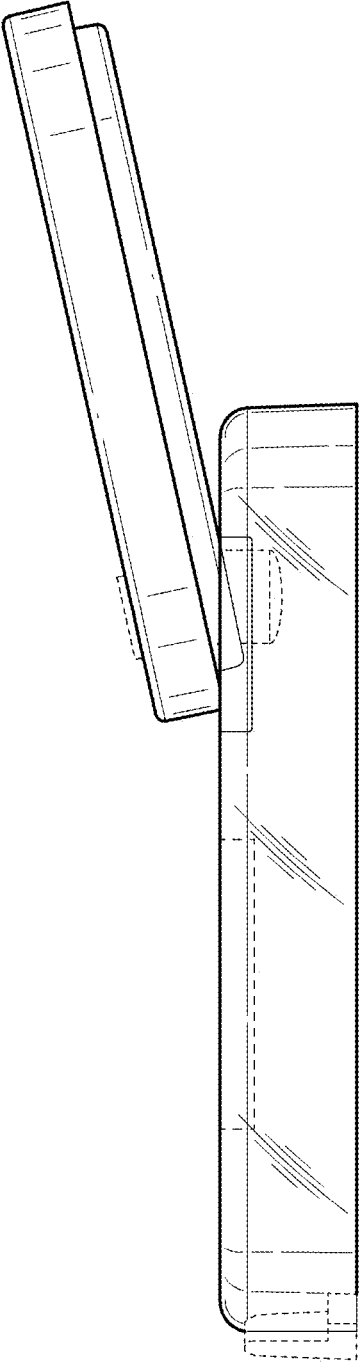


FIG. 11

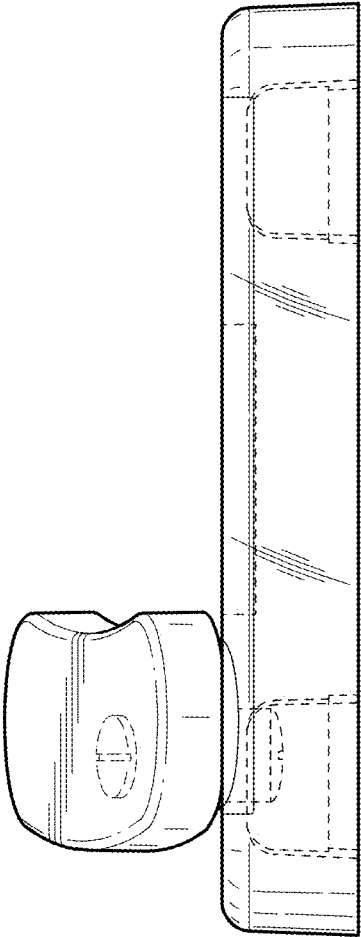


FIG. 12

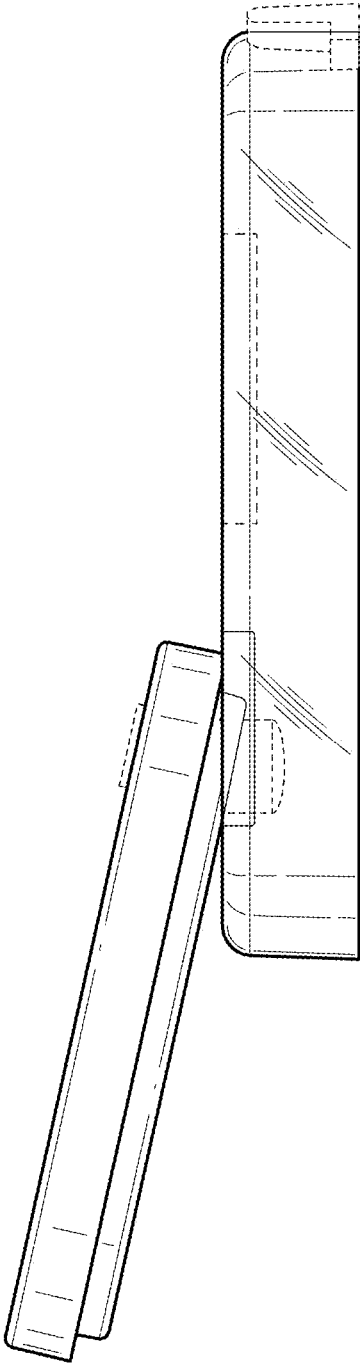


FIG. 13

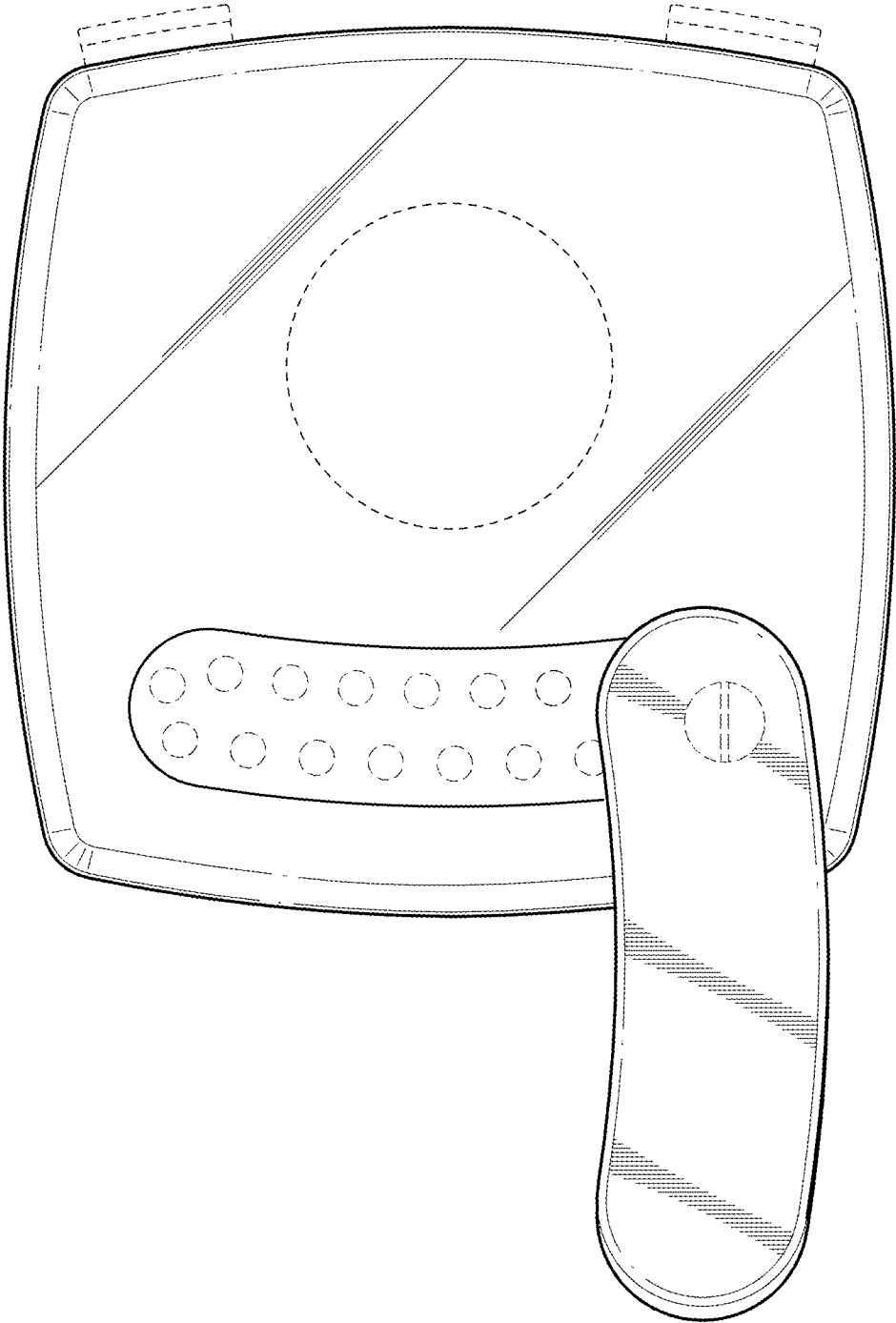


FIG. 14

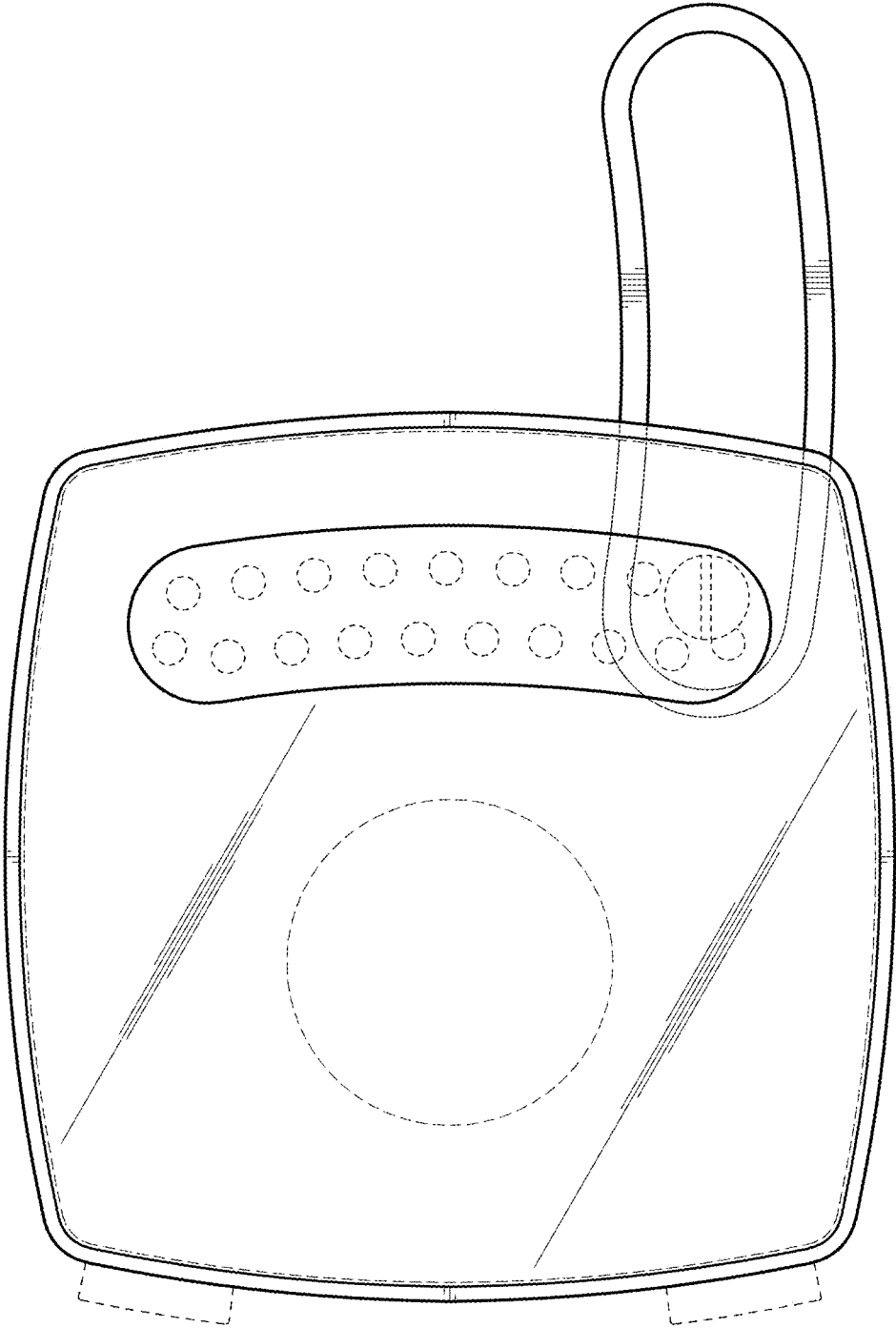


FIG. 15

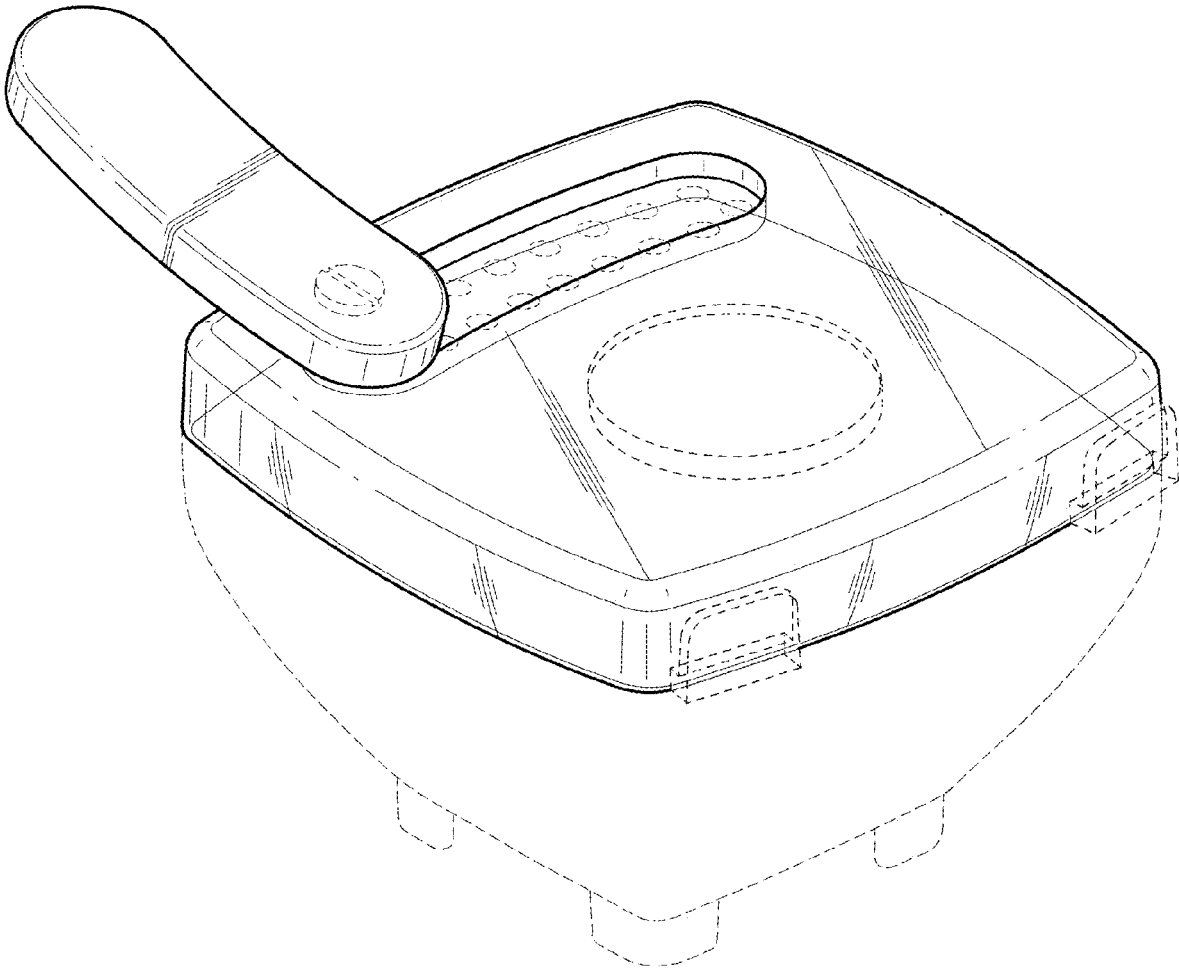


FIG. 16

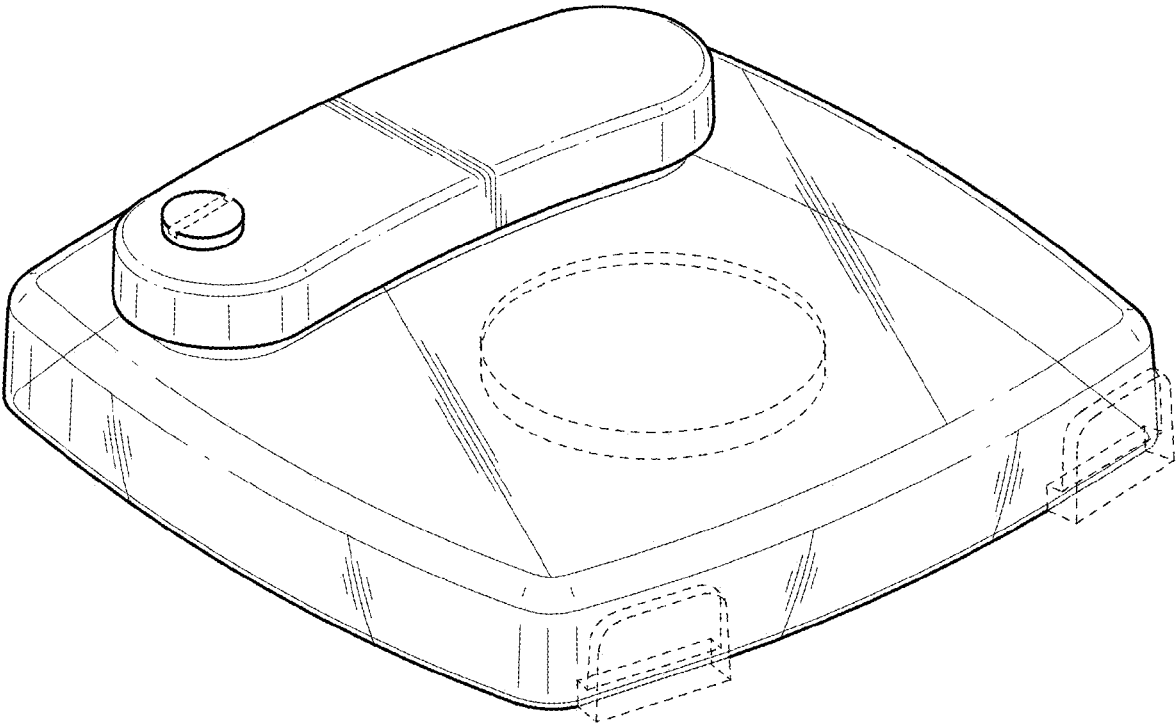
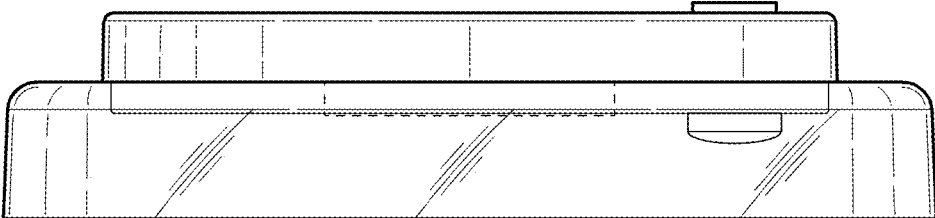
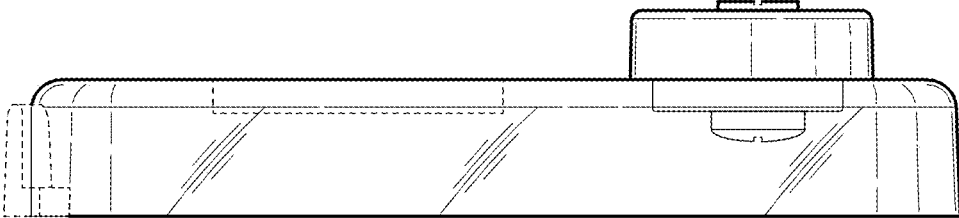


FIG. 17

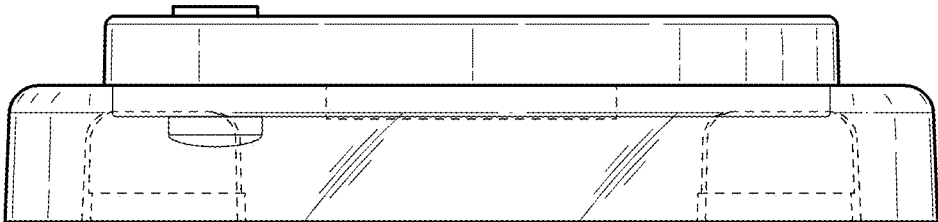




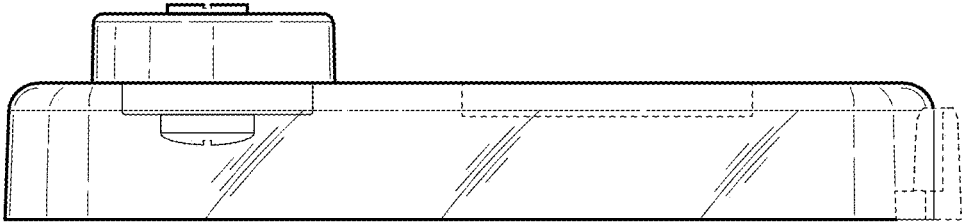
**FIG. 18**



**FIG. 19**



**FIG. 20**



**FIG. 21**

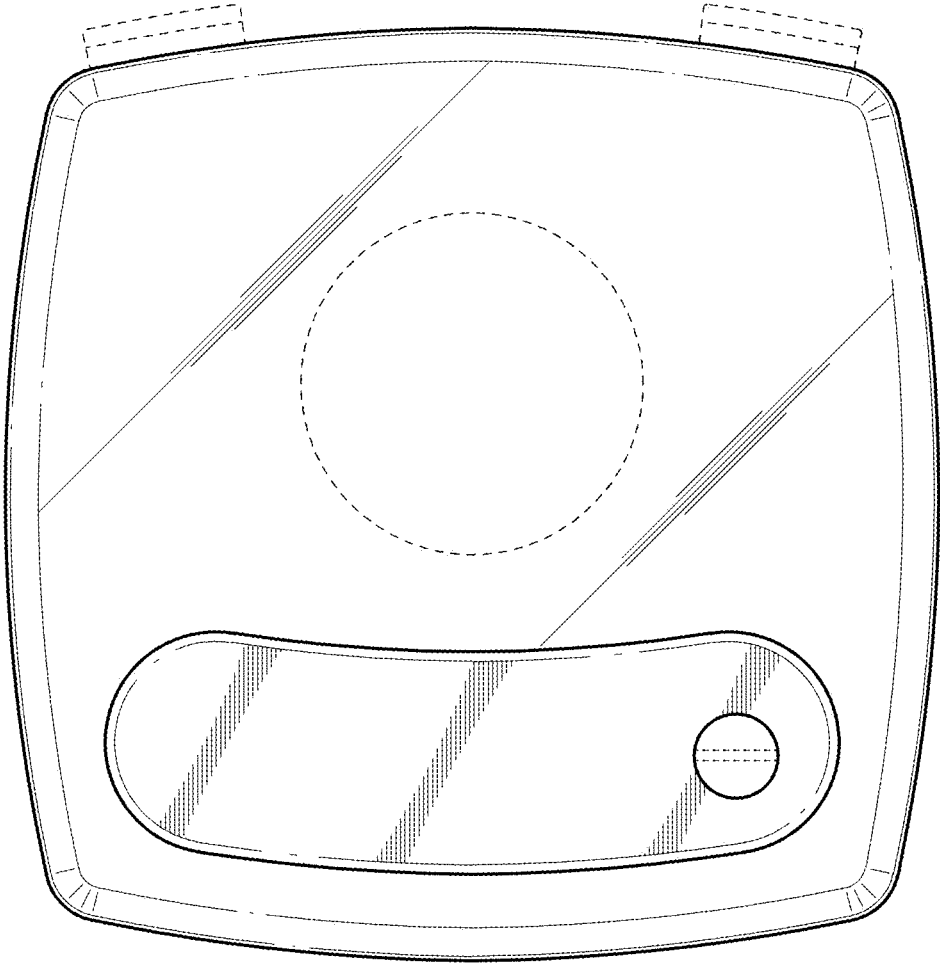
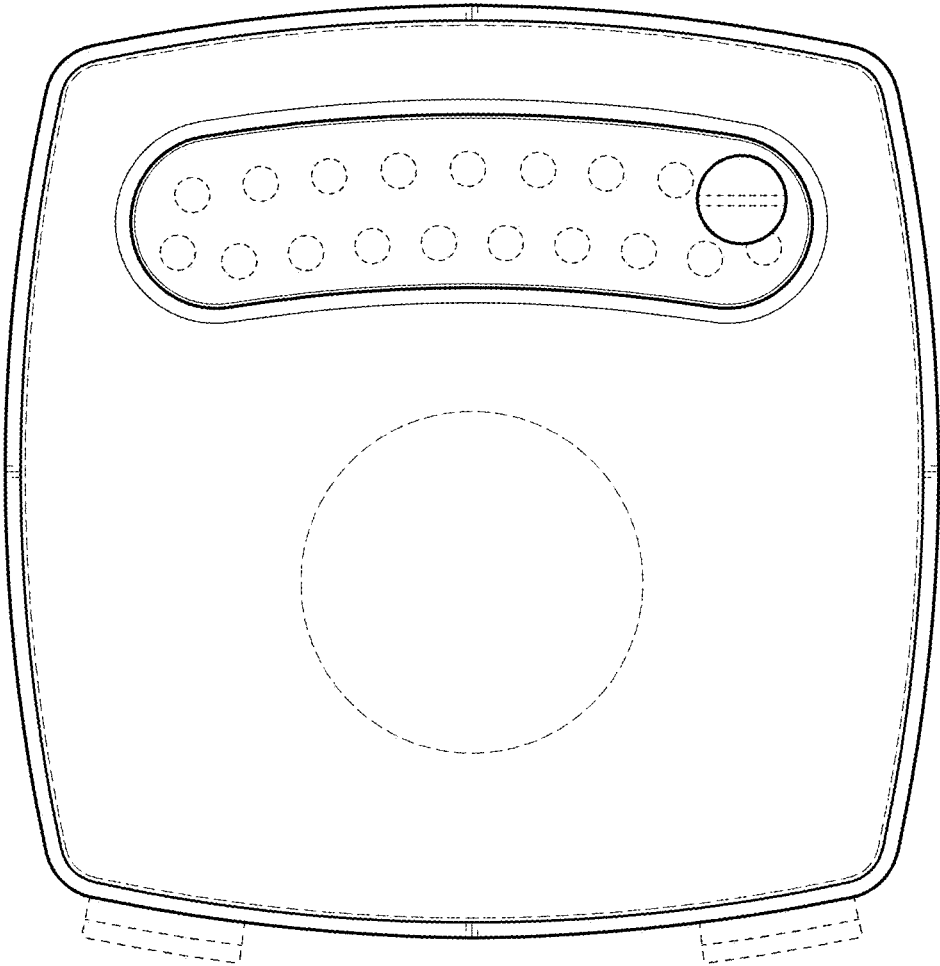
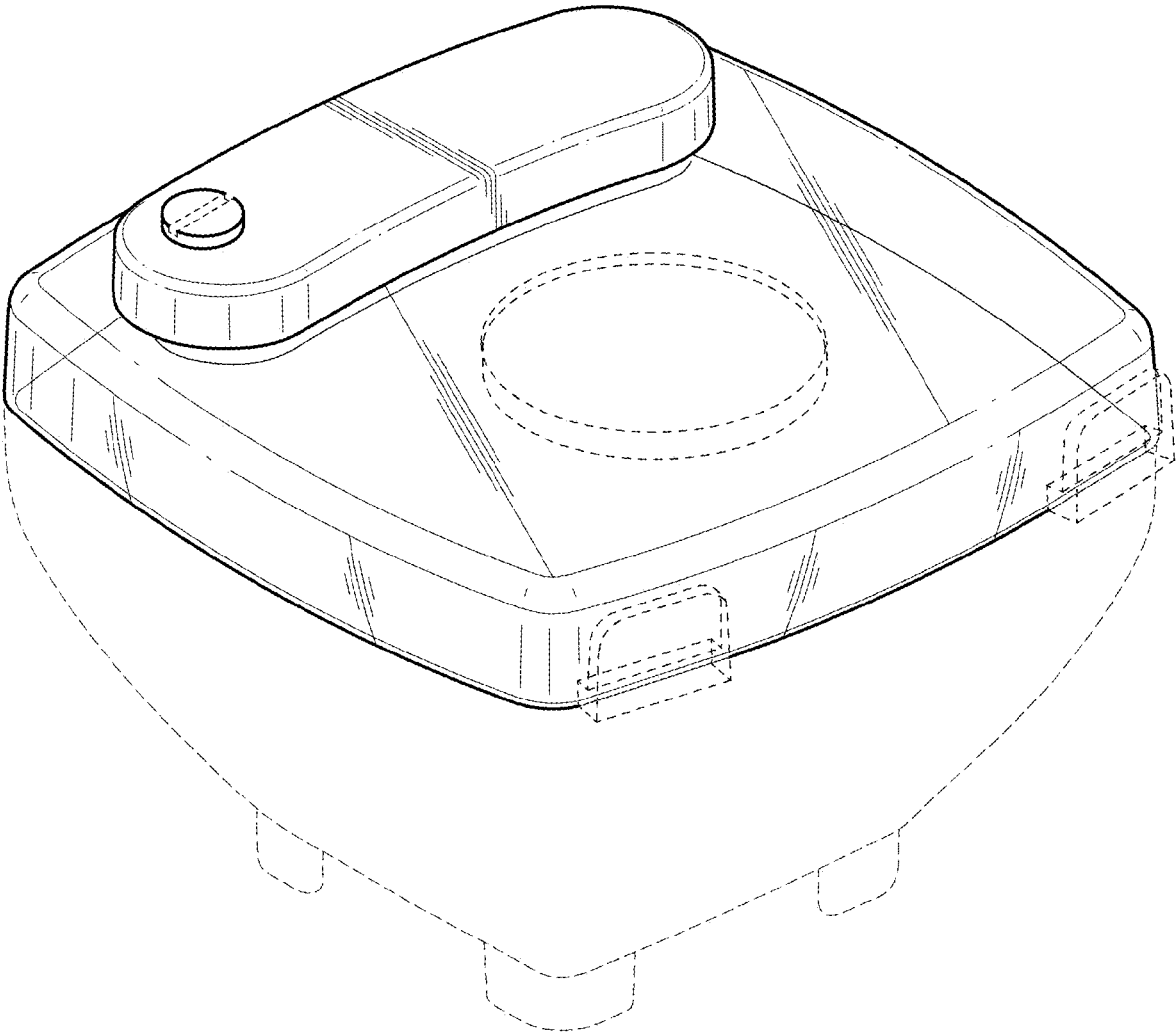


FIG. 22



**FIG. 23**



**FIG. 24**

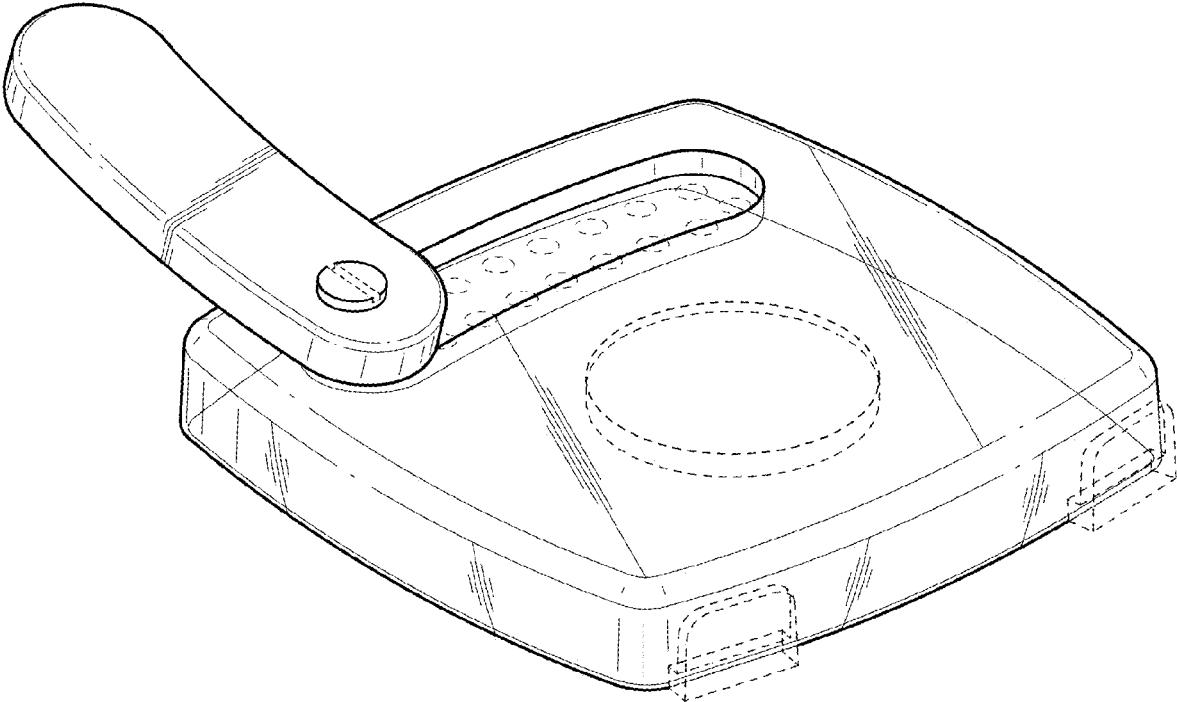


FIG. 25

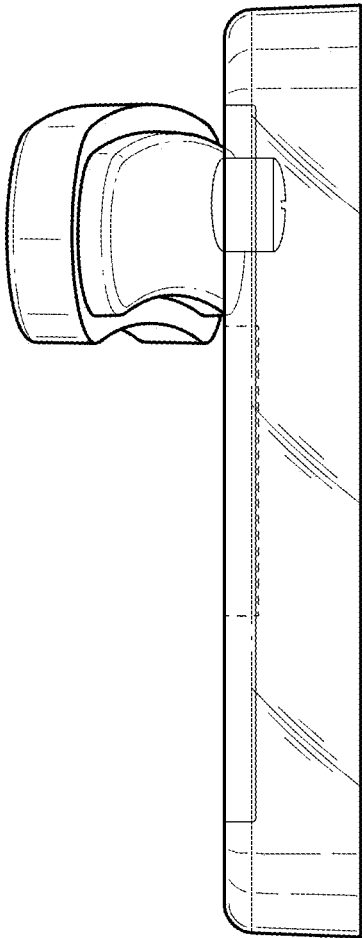


FIG. 26

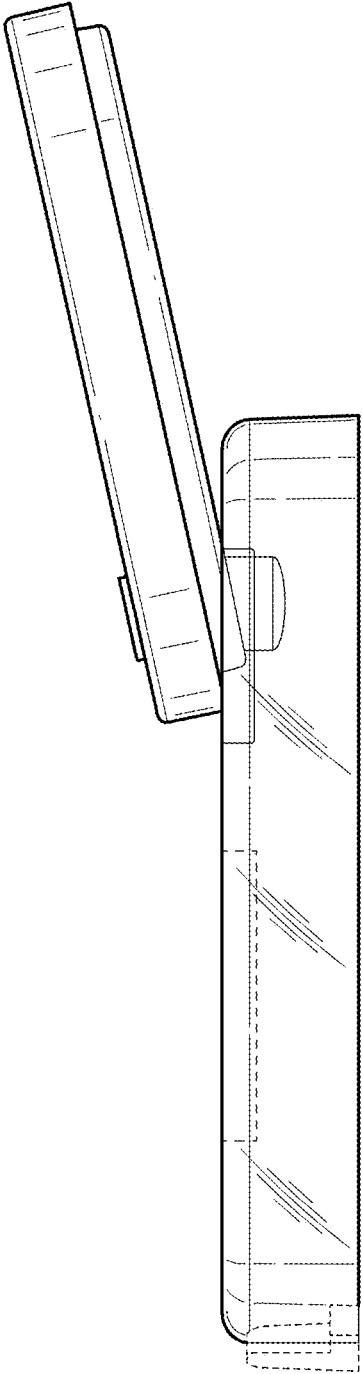


FIG. 27

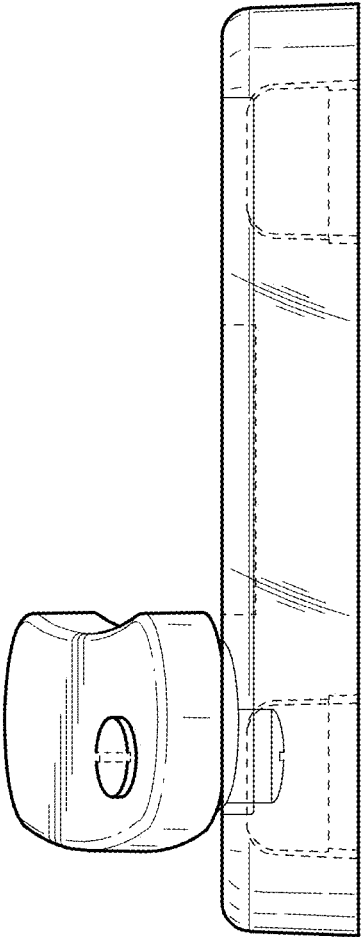


FIG. 28

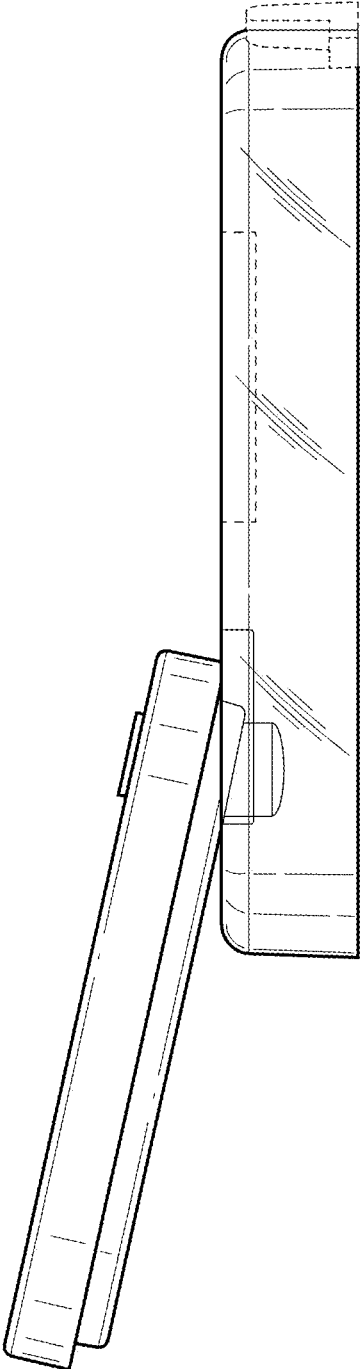


FIG. 29



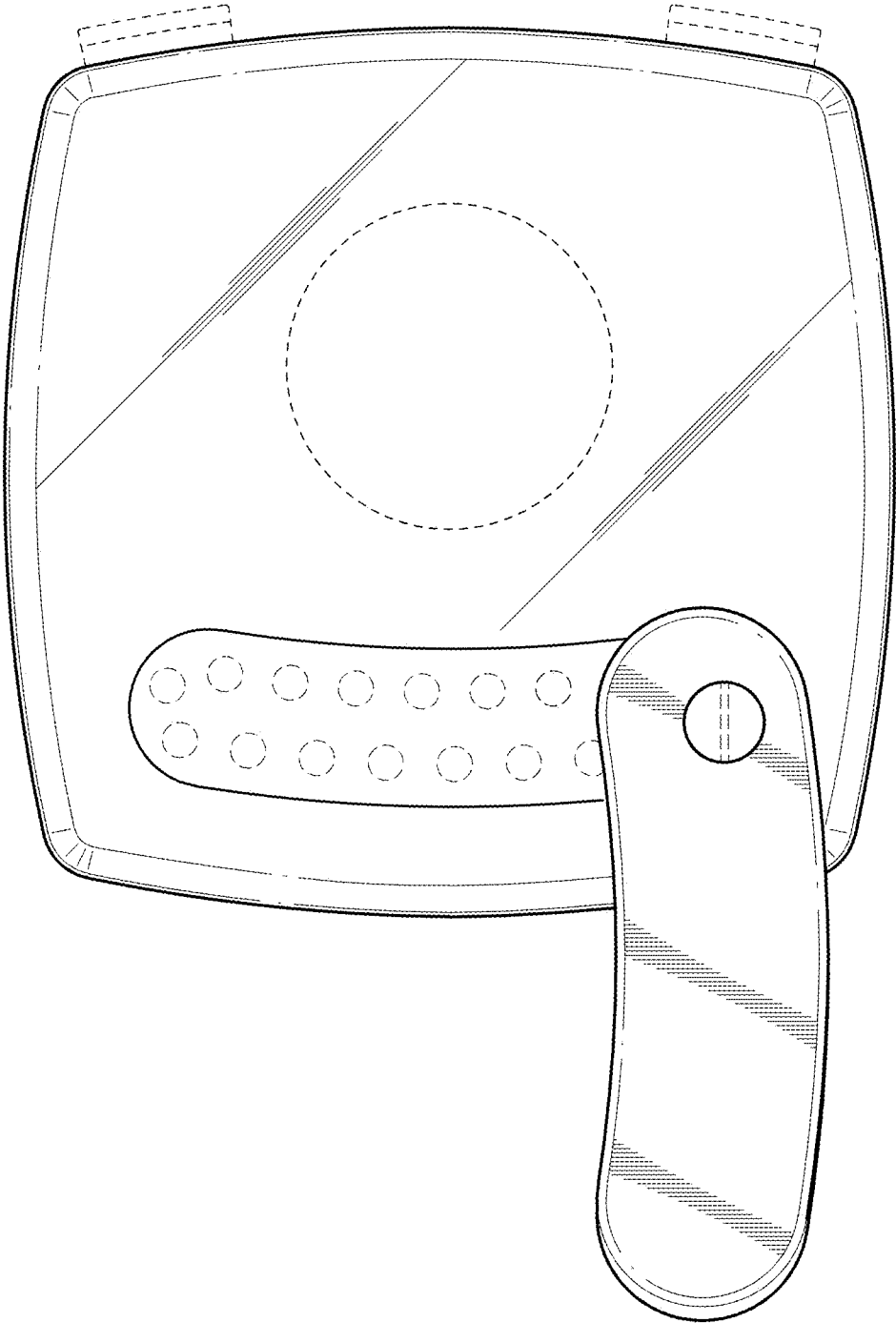


FIG. 30

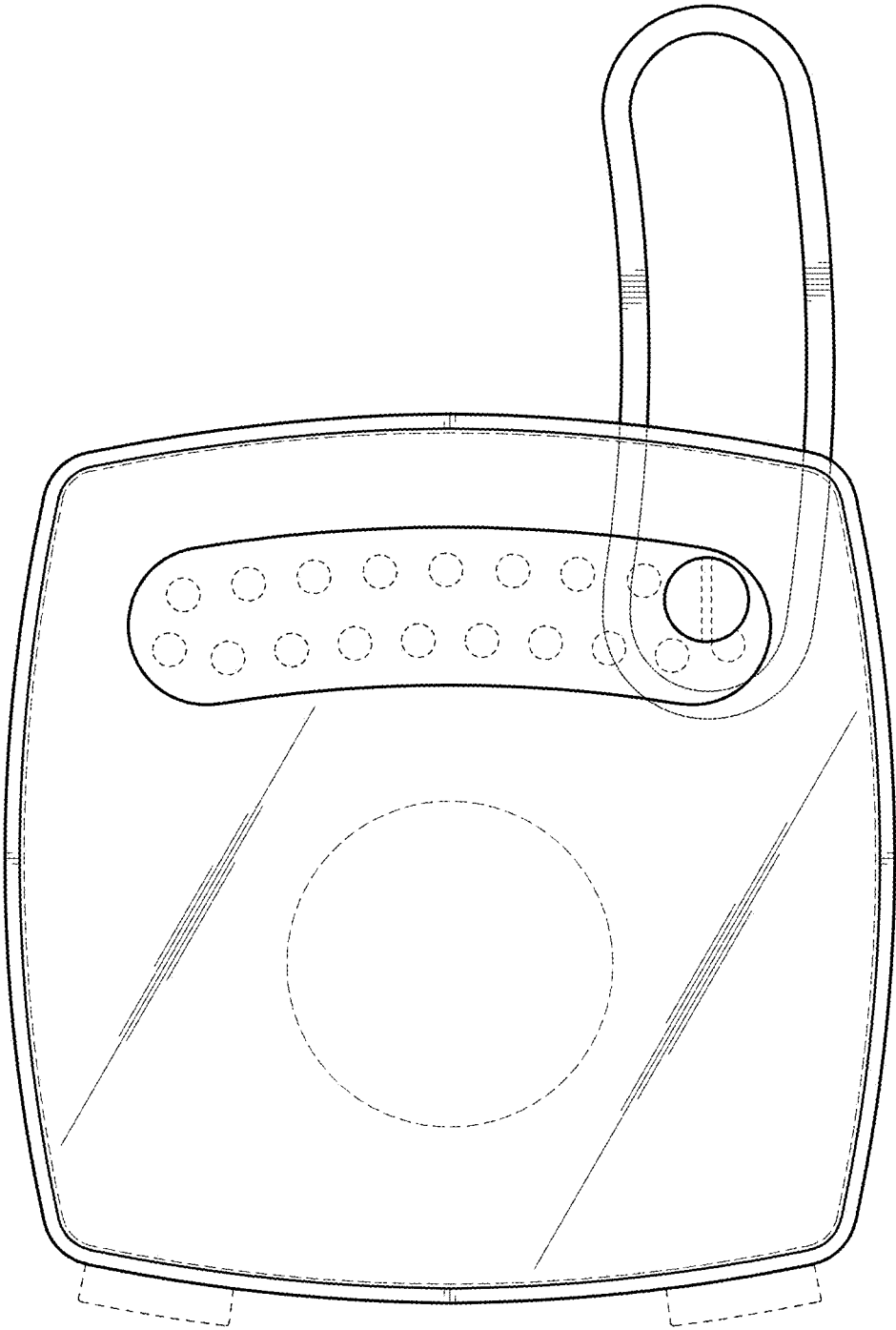
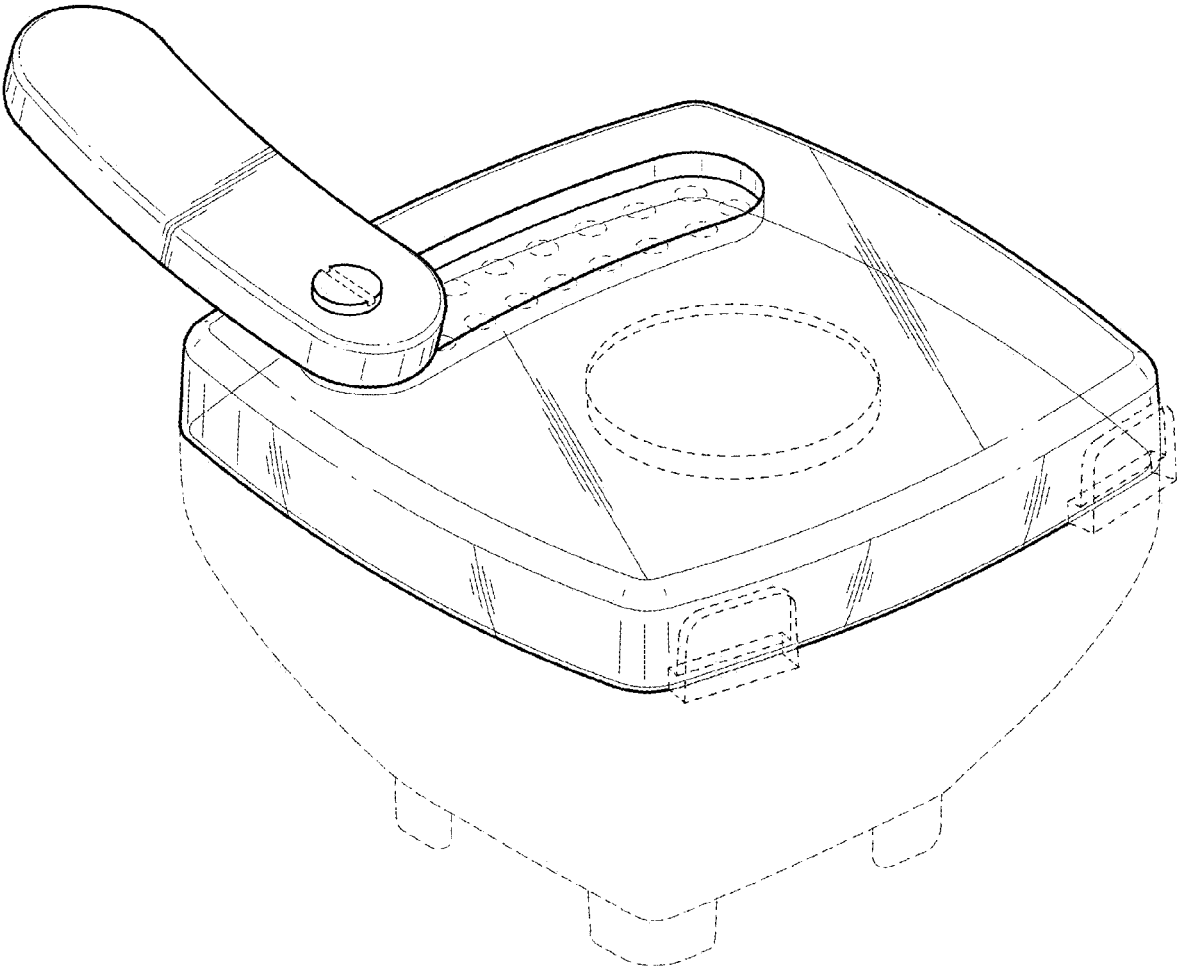


FIG. 31



**FIG. 32**