



US00D339761S

United States Patent [19]

[11] Patent Number: **Des. 339,761**

Bilbow, Jr. et al.

[45] Date of Patent: **** Sep. 28, 1993**

[54] **JEWELRY FINDING**

[56] **References Cited**

U.S. PATENT DOCUMENTS

[76] Inventors: **William D. Bilbow, Jr.; Ida A. Bilbow**, both of 112 Fulham Pl., Neptune, N.J. 07753

D. 99,928	6/1936	Chernow	D11/43
D. 171,391	2/1954	Elion	D11/79
D. 180,099	4/1957	Perl	D7/349

Primary Examiner—A. Hugo Word
Assistant Examiner—R. Seifert
Attorney, Agent, or Firm—Leon Gilden

[**] Term: **14 Years**

[57] **CLAIM**

The ornamental design for jewelry finding, as shown and described.

[21] Appl. No.: **723,646**

DESCRIPTION

[22] Filed: **Jul. 1, 1991**

FIG. 1 is a front elevational view of a jewelry finding showing my new design;

[52] U.S. Cl. **D11/81; D11/79**

FIG. 2 is a rear elevational view thereof;

[58] Field of Search **D11/1-3,**

FIG. 3 is a left side elevational view thereof;

D11/40-49, 52-61, 79-90, 95-105, 108, 112,

FIG. 4 is a right side elevational view thereof;

116, 65; D20/11, 22; 63/1.1, 2, 20, 18, 26;

FIG. 5 is a top plan view thereof; and,

D7/348, 349

FIG. 6 is a bottom plan view thereof.

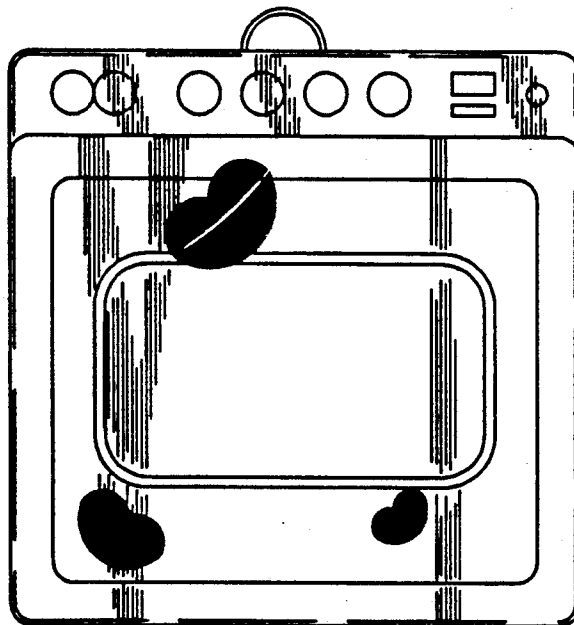


FIG. 1

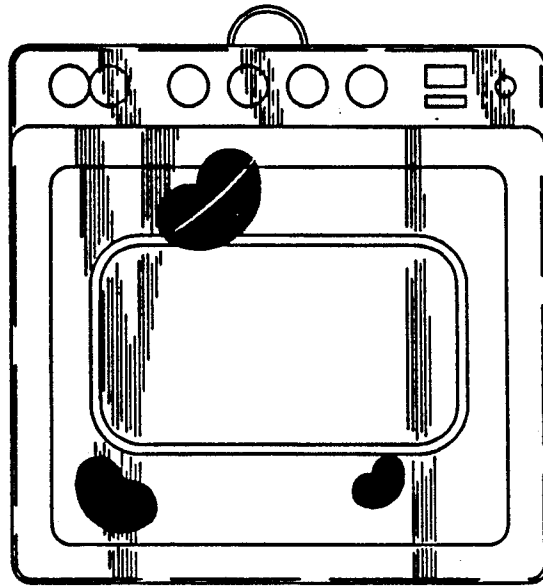


FIG. 2

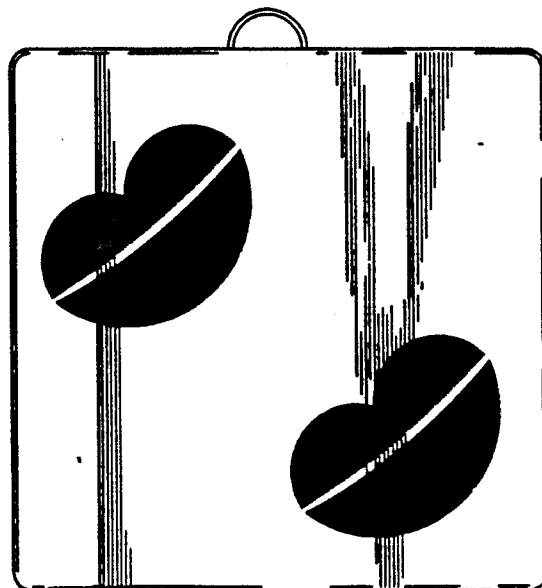


FIG. 3

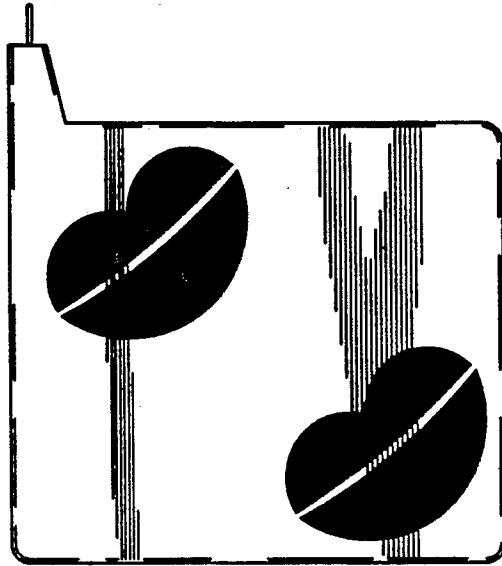


FIG. 4

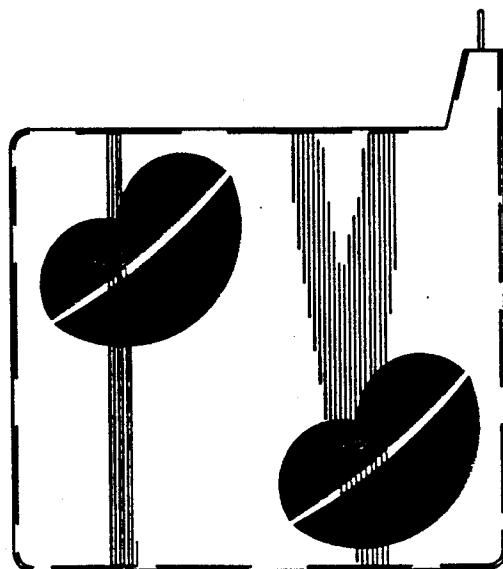


FIG. 5

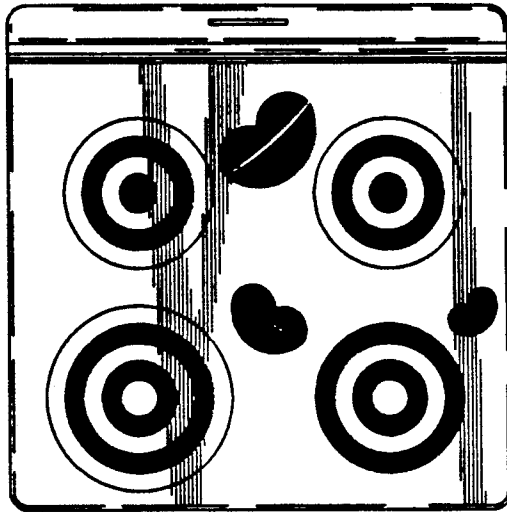


FIG. 6

