



US00D563785S

(12) **United States Design Patent**
Maki et al.

(10) **Patent No.:** **US D563,785 S**

(45) **Date of Patent:** **** Mar. 11, 2008**

(54) **CONTAINER COVER**

(75) Inventors: **James Maki**, McHenry, IL (US);
Jeffrey W. George, Cary, IL (US);
Peter Clarke, Fairfield, CT (US);
Kevin Clay, Milford, CT (US)

(73) Assignee: **The Quaker Oats Company**, Chicago, IL (US)

(**) Term: **14 Years**

(21) Appl. No.: **29/257,974**

(22) Filed: **Apr. 13, 2006**

(51) **LOC (8) Cl.** **09-07**

(52) **U.S. Cl.** **D9/454**

(58) **Field of Classification Search** D9/447,
D9/435, 434, 624, 614, 451; D7/683, 671,
D7/396.2, 392.1; 221/63

See application file for complete search history.

(56) **References Cited**

U.S. PATENT DOCUMENTS

2,731,751 A *	1/1956	Green	446/28
D230,556 S *	3/1974	Mallonn	D7/391
D266,818 S *	11/1982	Trombly	D7/392.1
D275,636 S *	9/1984	Picozza	D7/392.1
D281,758 S *	12/1985	Trombly	D7/392.1
D320,551 S *	10/1991	Wilson	D9/447
D332,897 S *	2/1993	Bucher et al.	D7/629
D350,843 S *	9/1994	VanValkenburg et al.	D7/614

5,356,026 A *	10/1994	Andress et al.	206/508
D358,302 S *	5/1995	VanValkenburg et al.	D7/614
D373,704 S *	9/1996	Doxey	D7/391
D383,939 S *	9/1997	Jeppesen et al.	D7/392.1
5,695,086 A *	12/1997	Viola	220/287
D415,652 S *	10/1999	Loew et al.	D7/392.1
D432,857 S *	10/2000	Ming-Shiue	D7/392.1

* cited by examiner

Primary Examiner—Gary D. Watson

Assistant Examiner—Susan Bennett Hattan

(74) *Attorney, Agent, or Firm*—Banner & Witcoff, Ltd.

(57) **CLAIM**

The ornamental design for a container cover, as shown and described.

DESCRIPTION

FIG. 1 is a perspective view of a container cover showing this invention;

FIG. 2 is a top view of the container cover as shown in FIG. 1;

FIG. 3 is a bottom view of the container cover as shown in FIG. 1; and,

FIG. 4 is an elevational view of the side of the container cover as shown in FIG. 1.

The broken lines in FIG. 3 represent unclaimed boundary lines and form no part of the claimed design.

1 Claim, 2 Drawing Sheets

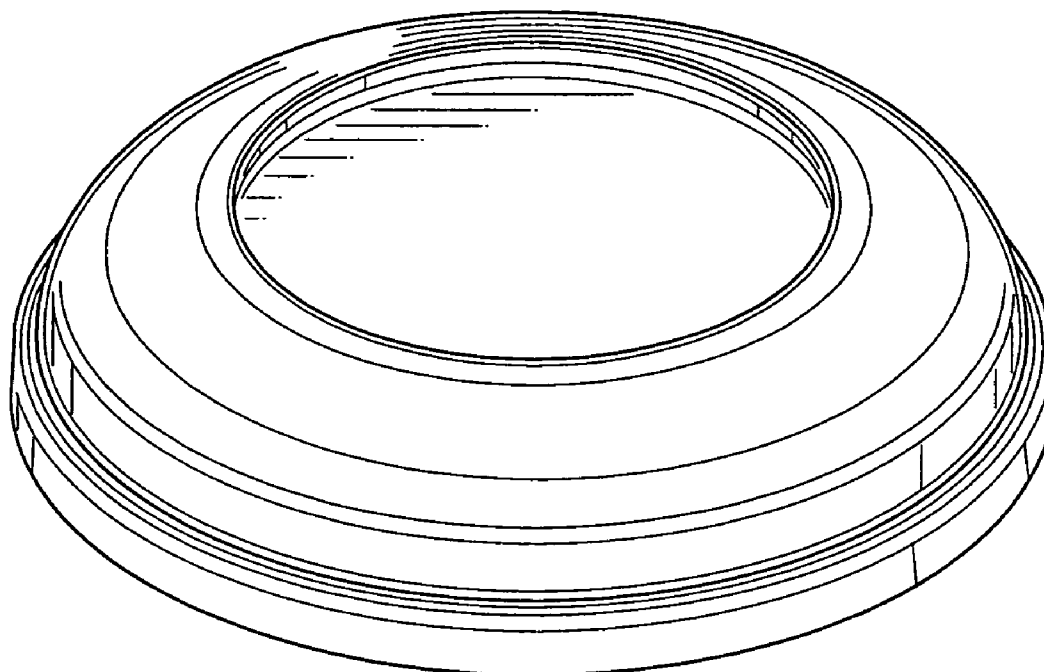


Fig. 1

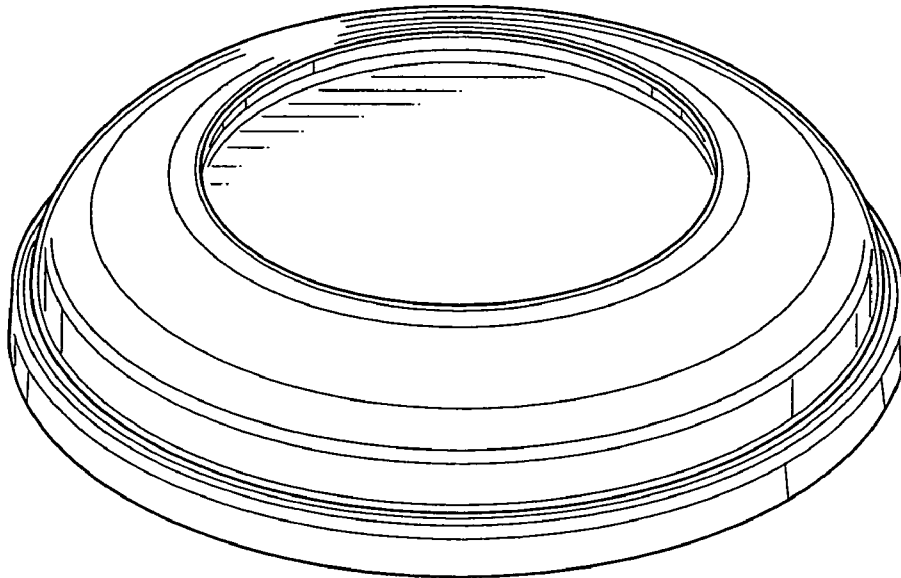


Fig. 2

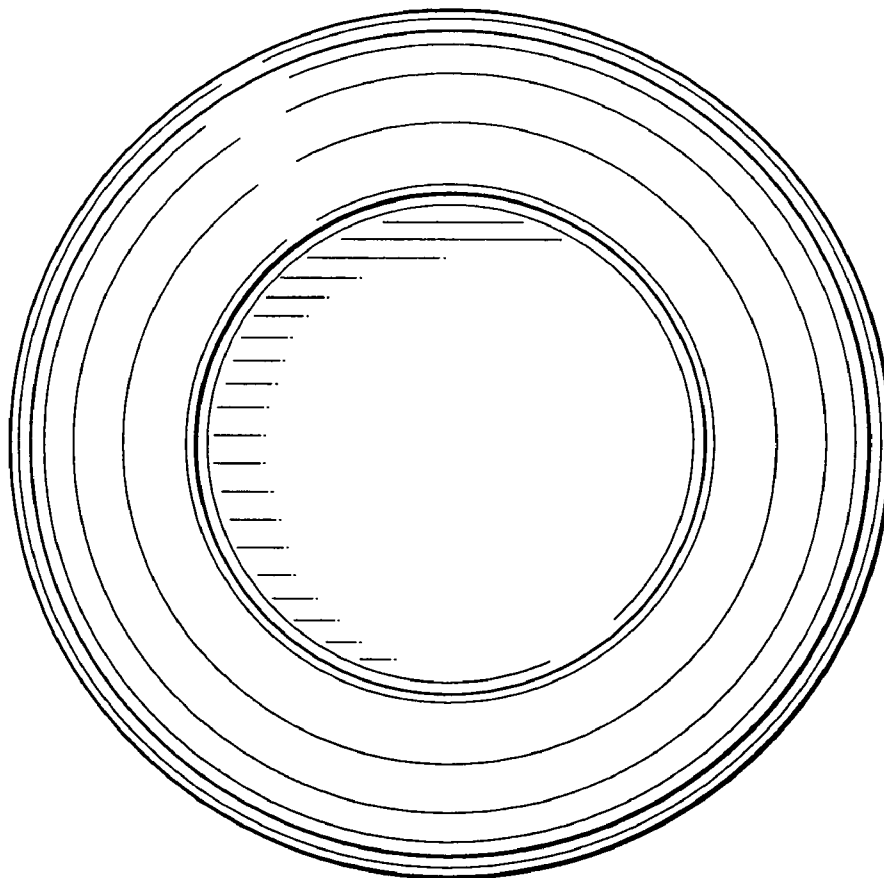


Fig. 3

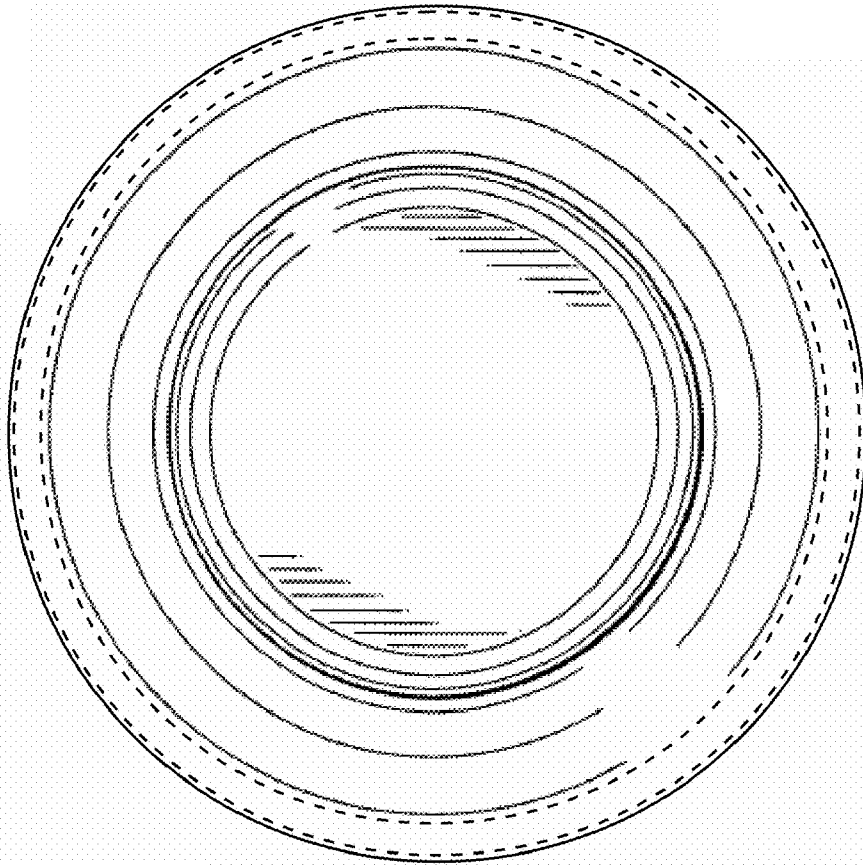


Fig. 4

