



US00D754212S

(12) **United States Design Patent**  
**Jackson et al.**

(10) **Patent No.:** **US D754,212 S**

(45) **Date of Patent:** **\*\* Apr. 19, 2016**

(54) **FENDER OF AN AGRICULTURAL VEHICLE**

(71) Applicant: **CNH Industrial America LLC**, New Holland, PA (US)

(72) Inventors: **Dwayne St. George Jackson**, Plainfield, IL (US); **Guido Bianco**, Piossasco (IT); **Stefano Fincato**, Piobesi Torinese (IT)

(73) Assignee: **CNH Industrial America LLC**, New Holland, PA (US)

(\*\*) Term: **15 Years**

(21) Appl. No.: **29/530,562**

(22) Filed: **Jun. 17, 2015**

(51) **LOC (10) Cl.** ..... **15-03**

(52) **U.S. Cl.**  
USPC ..... **D15/28**

(58) **Field of Classification Search**  
USPC ..... D15/28, 22-26, 14-18, 31, 33;  
D12/181, 184, 196; 296/198; 280/160,  
280/847, 154, 854; 180/68.1, 900, 69.21,  
180/69.22, 69.23, 69.24, 69.25, 89.1, 69.2,  
180/89.12, 89.19, 273, 68.6; 56/16.1, 13.3,  
56/15.9, 16.7, 17.4, 202, 255, 320.1, 13.4,  
56/15.8, 294, 320.2  
CPC .. B62D 25/161; B62D 25/168; B62D 25/182;  
B62D 25/18; B62D 25/16  
See application file for complete search history.

(56) **References Cited**

U.S. PATENT DOCUMENTS

|           |    |   |        |             |       |                        |
|-----------|----|---|--------|-------------|-------|------------------------|
| D484,894  | S  | * | 1/2004 | McCord      | ..... | D15/28                 |
| D516,588  | S  | * | 3/2006 | Higashikawa | ..... | D15/28                 |
| D542,308  | S  | * | 5/2007 | Oka         | ..... | D15/23                 |
| 7,222,884 | B2 | * | 5/2007 | Callan      | ..... | B62D 25/182<br>280/154 |
| D544,888  | S  | * | 6/2007 | Mursch      | ..... | D15/28                 |

|           |    |   |         |             |       |                        |
|-----------|----|---|---------|-------------|-------|------------------------|
| D591,774  | S  | * | 5/2009  | Kokitkar    | ..... | D15/28                 |
| D591,775  | S  | * | 5/2009  | Kokitkar    | ..... | D15/28                 |
| D604,750  | S  | * | 11/2009 | Smith       | ..... | D15/28                 |
| D618,711  | S  | * | 6/2010  | Tokuhara    | ..... | D15/17                 |
| D623,103  | S  | * | 9/2010  | Braga       | ..... | D12/181                |
| D681,687  | S  | * | 5/2013  | Higashikawa | ..... | D15/17                 |
| 8,882,152 | B2 | * | 11/2014 | Rund        | ..... | B62D 25/168<br>280/154 |
| D721,106  | S  | * | 1/2015  | Okuyama     | ..... | D15/23                 |
| 8,960,725 | B2 | * | 2/2015  | Rund        | ..... | B62D 25/161<br>280/154 |

OTHER PUBLICATIONS

- U.S. Appl. No. 29/530,560, filed Jun. 17, 2015, Dwayne St. George Jackson.
- U.S. Appl. No. 29/530,563, filed Jun. 17, 2015, Dwayne St. George Jackson.
- U.S. Appl. No. 29/530,578, filed Jun. 17, 2015, Dwayne St. George Jackson.

\* cited by examiner

Primary Examiner — Mark Goodwin

(74) Attorney, Agent, or Firm — Sue C. Watson

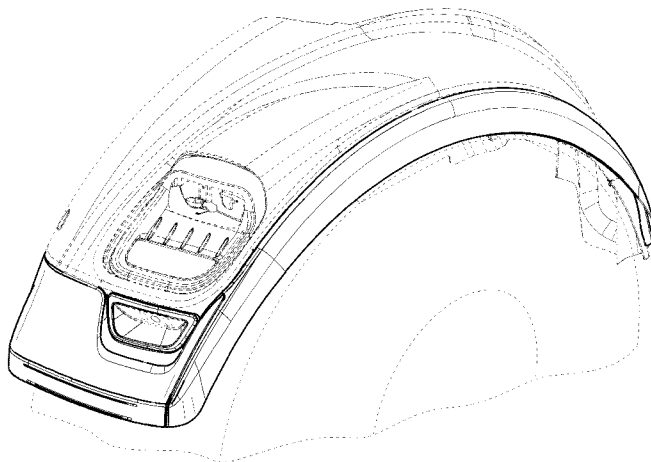
(57) **CLAIM**

The ornamental design for a fender of an agricultural vehicle, substantially as shown and described.

**DESCRIPTION**

FIG. 1 is a perspective view of a fender of an agricultural vehicle showing our new design; FIG. 2 is a right side view thereof; FIG. 3 is a left side view thereof; FIG. 4 is a front view thereof; FIG. 5 is a back view thereof; FIG. 6 is a top view thereof; and, FIG. 7 is a bottom view thereof. Phantom lines, where utilized, are for illustrative purposes only and form no part of the claimed design.

**1 Claim, 7 Drawing Sheets**



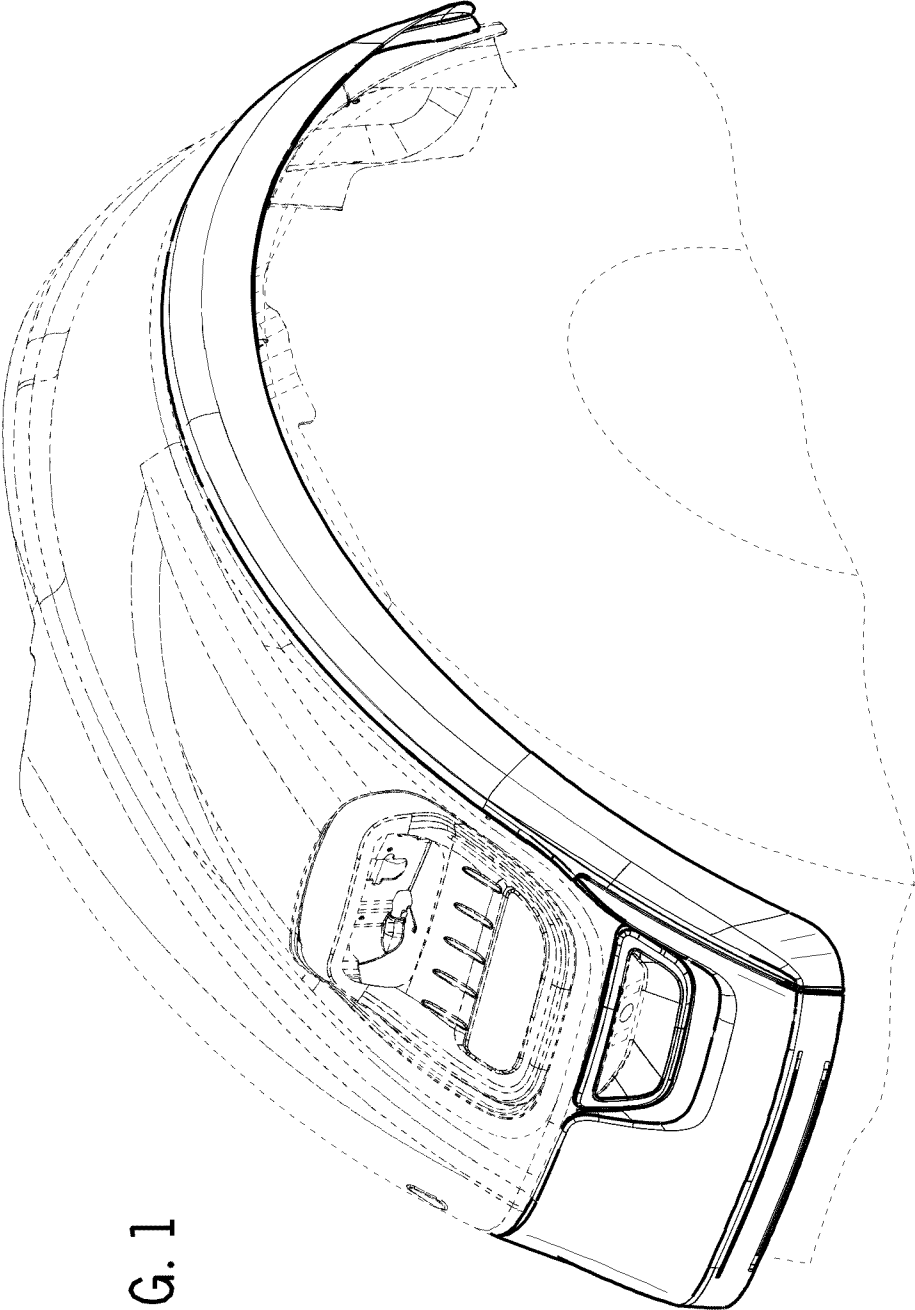


FIG. 1

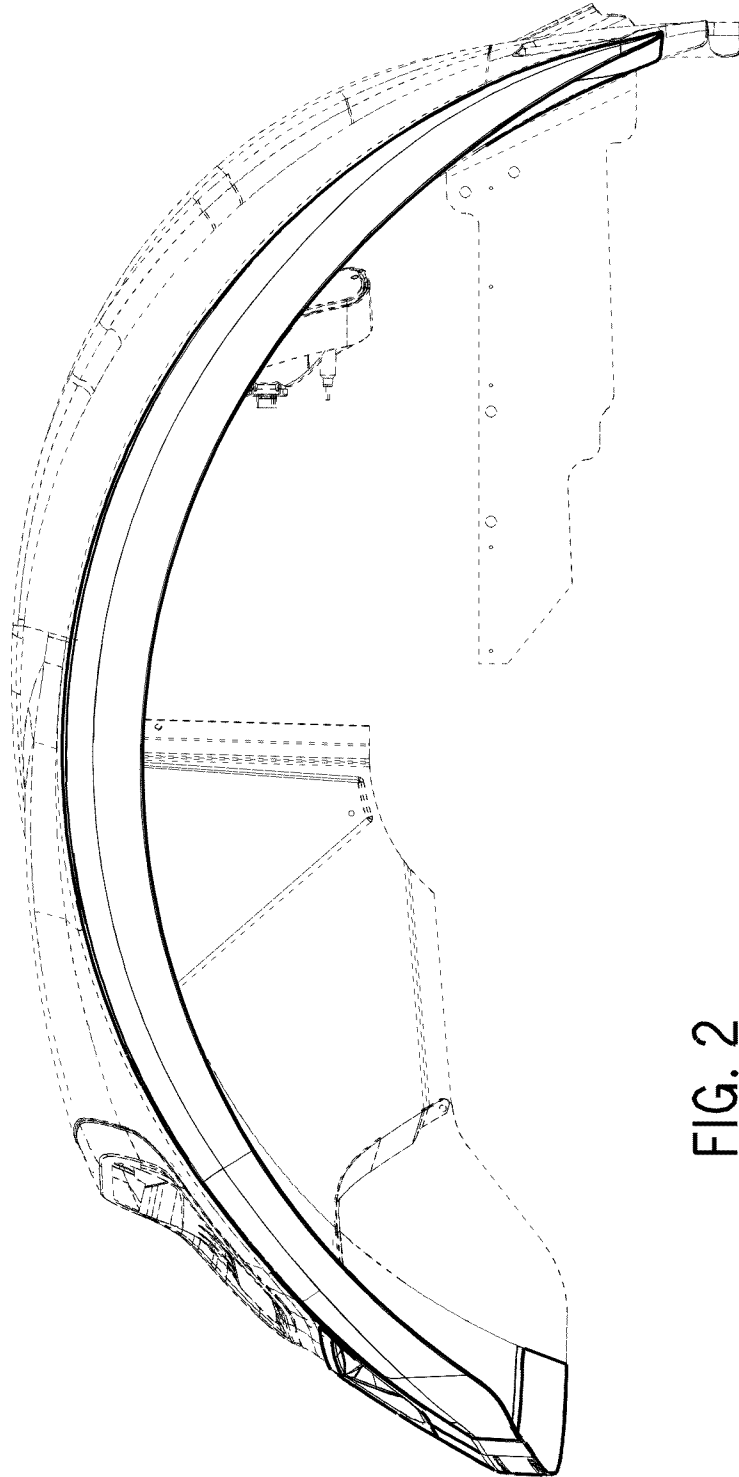


FIG. 2

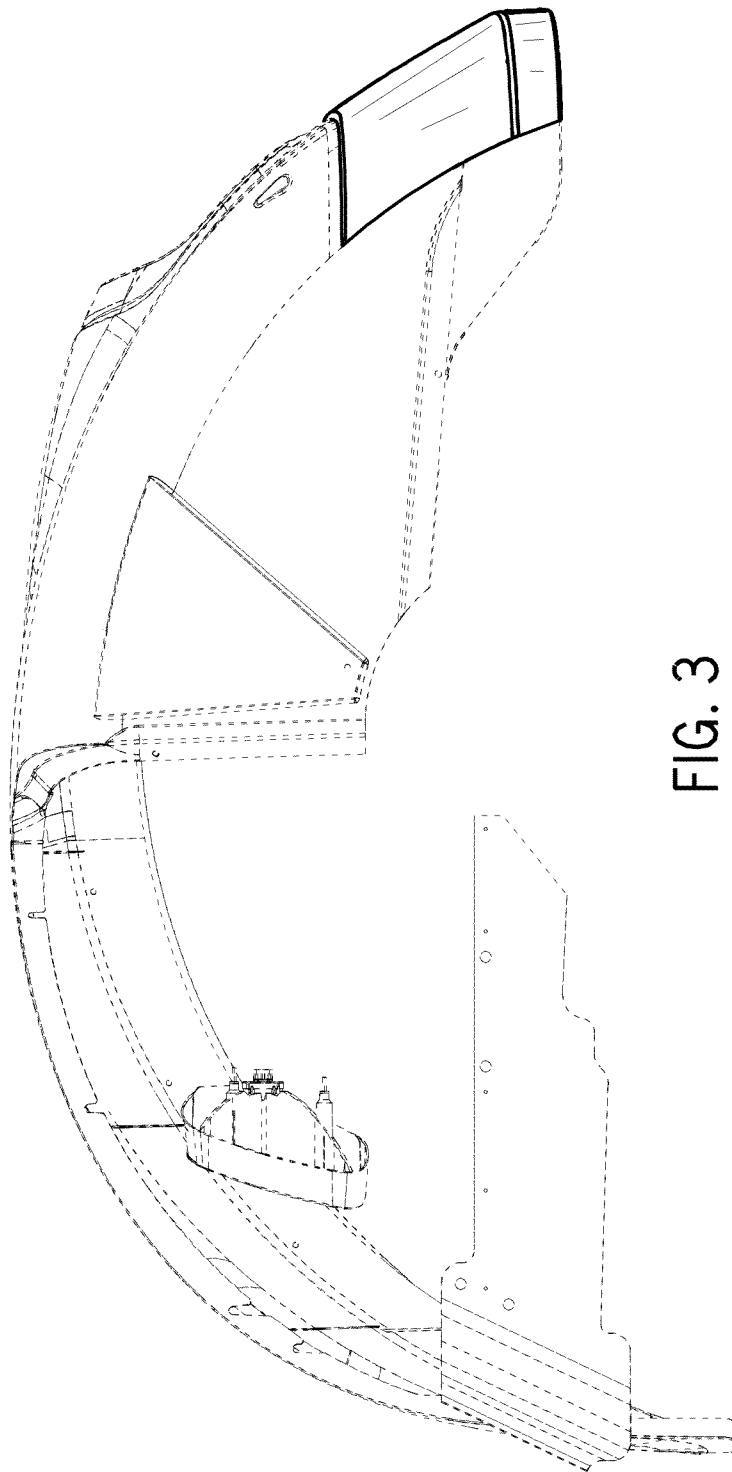


FIG. 3

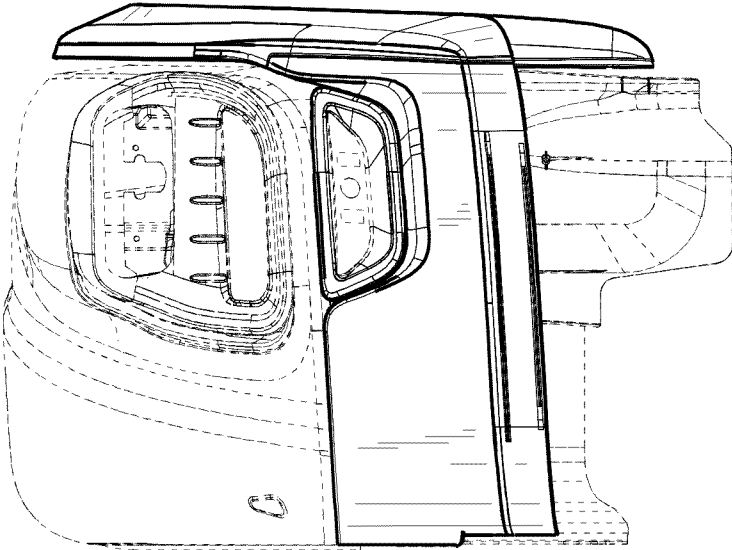


FIG. 4

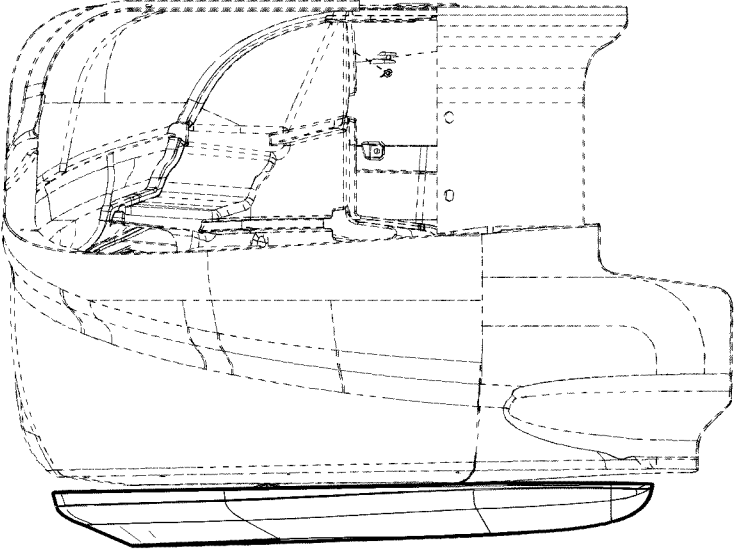


FIG. 5

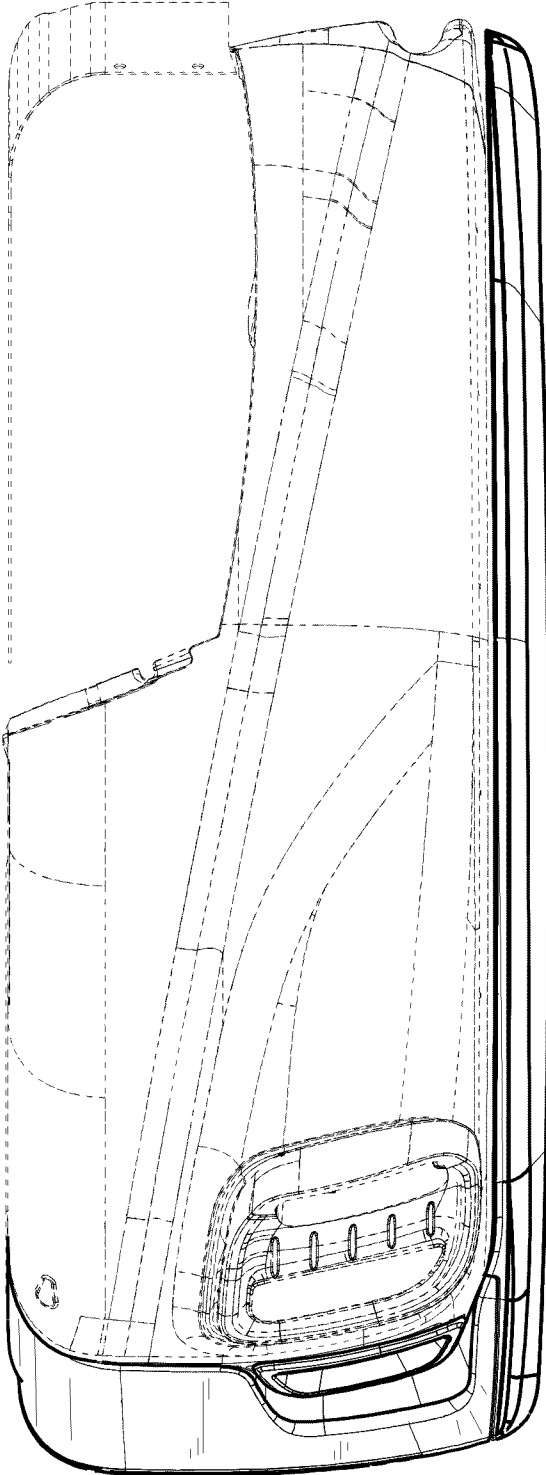


FIG. 6

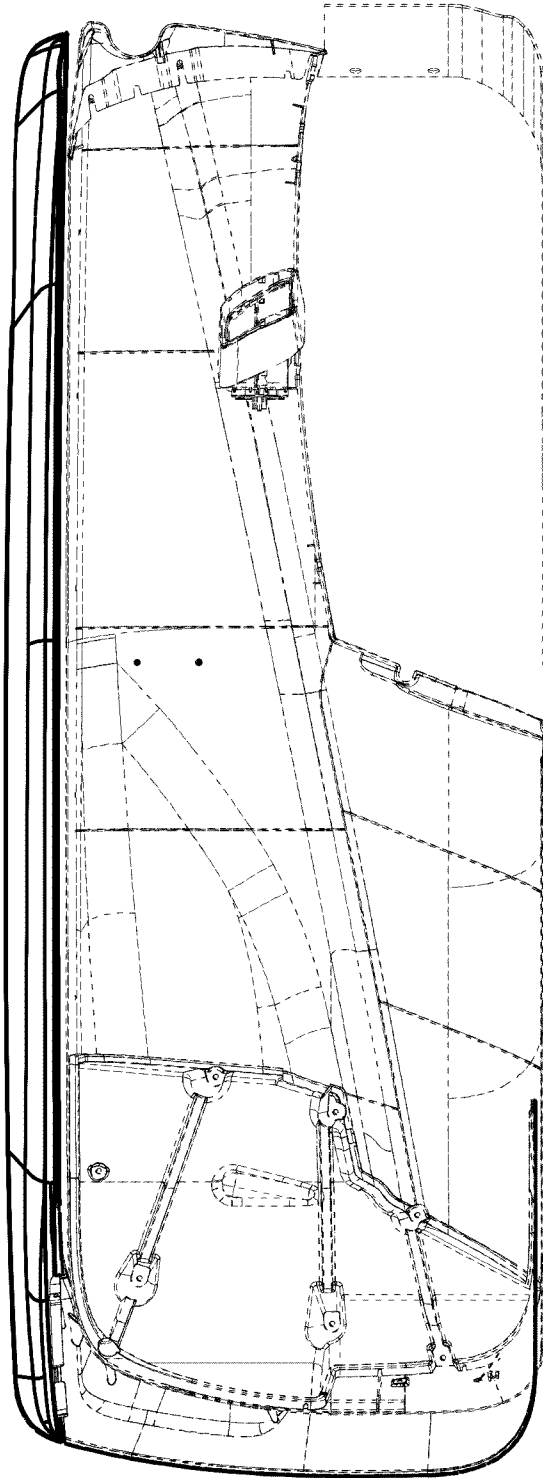


FIG. 7