



US00D540302S

(12) **United States Design Patent**
Hagiwara et al.

(10) **Patent No.:** **US D540,302 S**

(45) **Date of Patent:** **** Apr. 10, 2007**

(54) **HEADSET**

(75) Inventors: **Hisaya Hagiwara**, Yokohama (JP);
Ji-Hyun Moon, Daegu-si (KR);
Beom-Ku Han, Seoul (KR);
Chang-Hwan Hwang, Goyang-si (KR)

(73) Assignee: **Samsung Electronics Co., Ltd.**,
Suwon-si (KR)

(**) Term: **14 Years**

(21) Appl. No.: **29/254,684**

(22) Filed: **Feb. 28, 2006**

(30) **Foreign Application Priority Data**

Dec. 29, 2005 (KR) 30-2005-0044818

(51) **LOC (8) Cl.** **14-01**

(52) **U.S. Cl.** **D14/205**

(58) **Field of Classification Search** D14/156,
D14/192, 205, 206; D29/112; 181/129, 141,
181/130; 381/74, 309, 370, 375, 378, 379,
381/380, 381, 382, 383, 374; 2/209; 379/480,
379/431; 128/866; 29/594

See application file for complete search history.

(56) **References Cited**

U.S. PATENT DOCUMENTS

2,437,049 A * 3/1948 Salisbury et al. 128/866

4,404,434 A *	9/1983	Pelt et al.	381/383
4,455,457 A *	6/1984	Akira	181/141
4,597,469 A *	7/1986	Nagashima	181/129
5,293,647 A *	3/1994	Mirmilshteyn et al.	2/209
5,369,857 A *	12/1994	Sacherman et al.	29/594
5,438,626 A *	8/1995	Neuman et al.	381/383
5,640,458 A *	6/1997	Nishiguchi et al.	381/74
D399,206 S *	10/1998	Yasutomi et al.	D14/205
D453,015 S *	1/2002	Yuyama	D14/205
D512,983 S *	12/2005	Tachikawa	D14/205
7,072,483 B2 *	7/2006	Lenhard-Backhaus	381/383

* cited by examiner

Primary Examiner—Paula A. Greene

(74) *Attorney, Agent, or Firm*—Staas & Halsey LLP

(57) **CLAIM**

The ornamental design for the headset, as shown and described.

DESCRIPTION

FIG. 1 is a perspective view of the headset showing our design;

FIG. 2 is a front view thereof;

FIG. 3 is a rear view thereof;

FIG. 4 is a left side view thereof;

FIG. 5 is a right side view thereof;

FIG. 6 is a top plan view thereof; and,

FIG. 7 is a bottom plan view thereof.

1 Claim, 3 Drawing Sheets

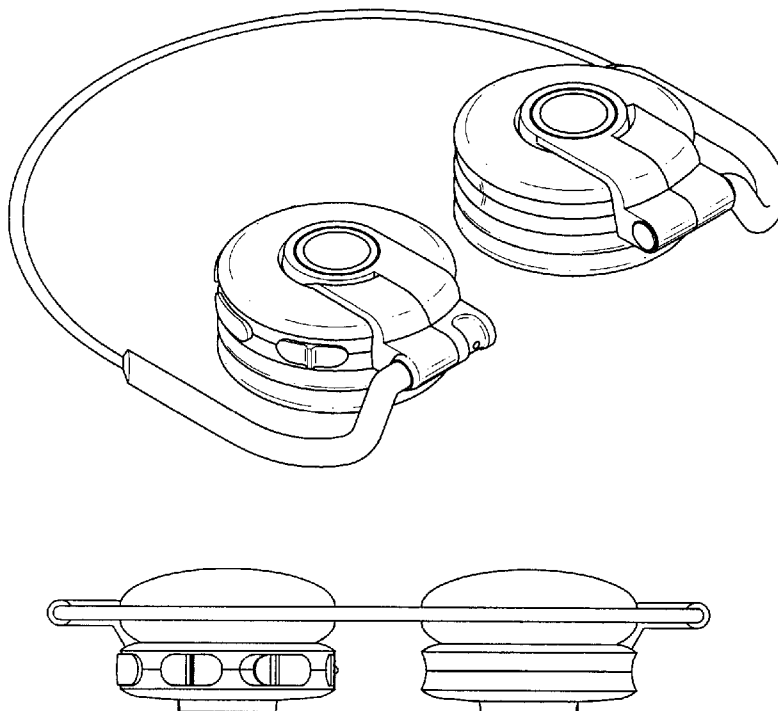


FIG. 1

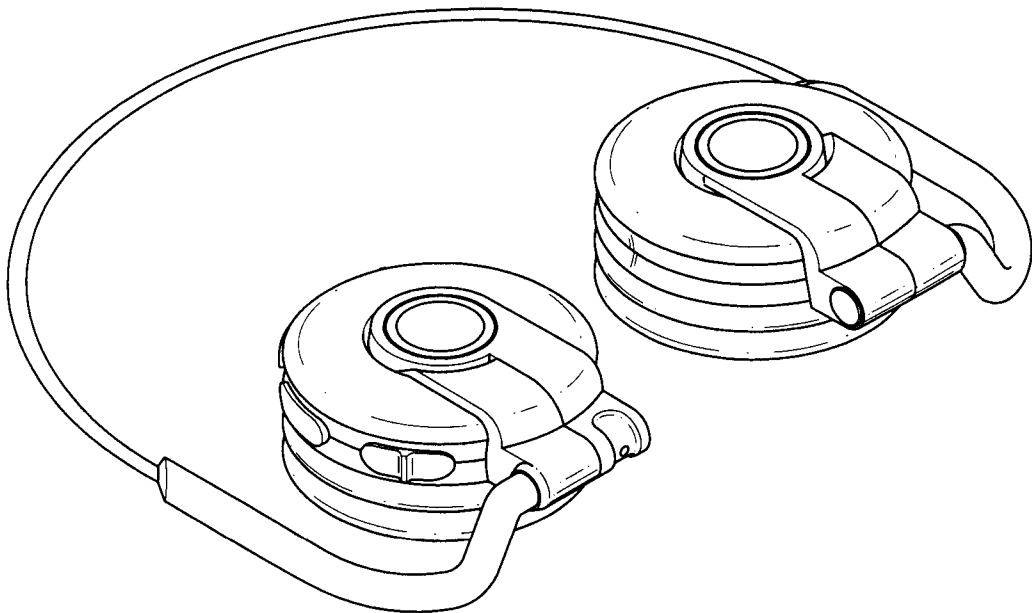


FIG. 2

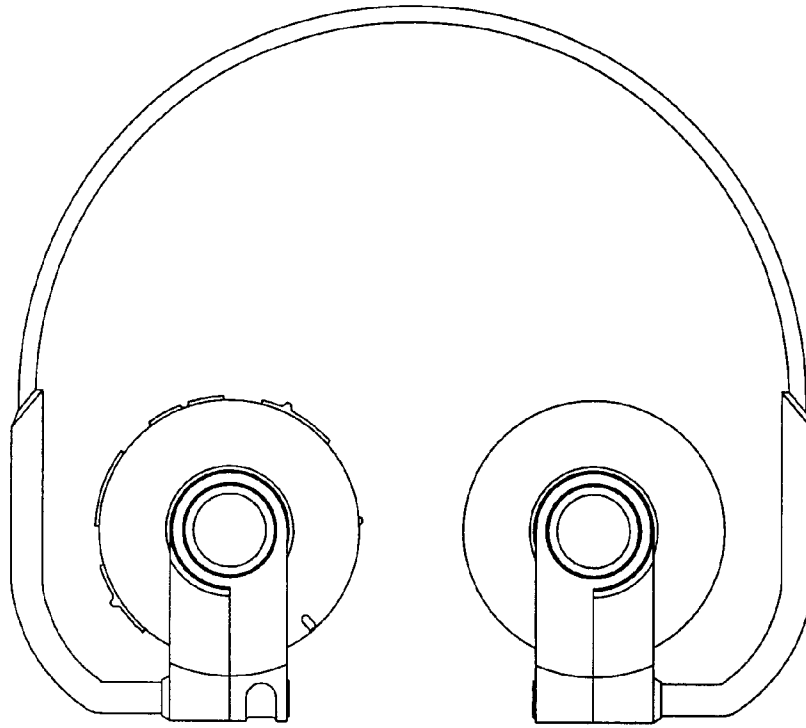


FIG. 3

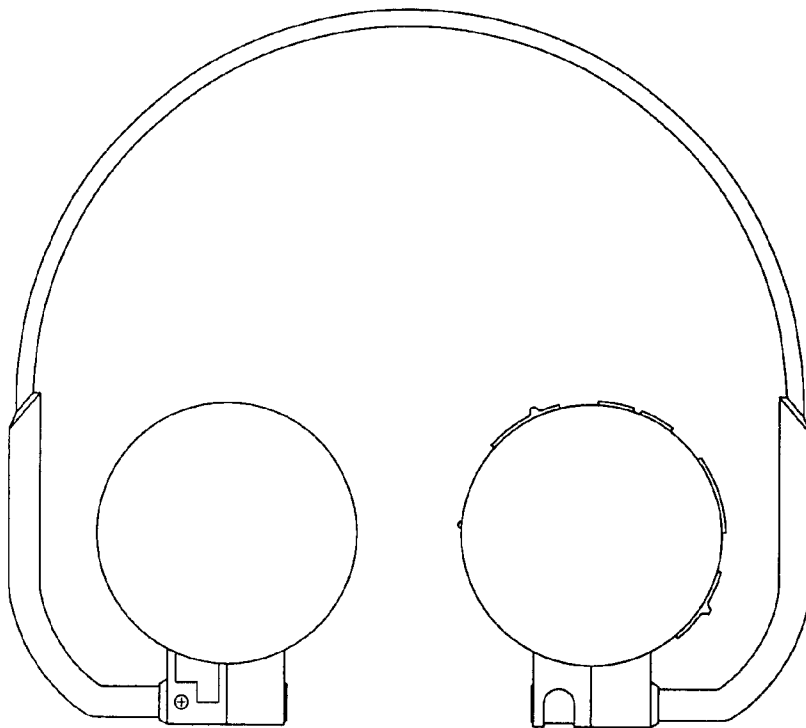


FIG. 4

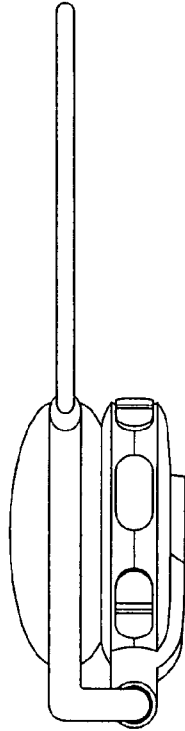


FIG. 5

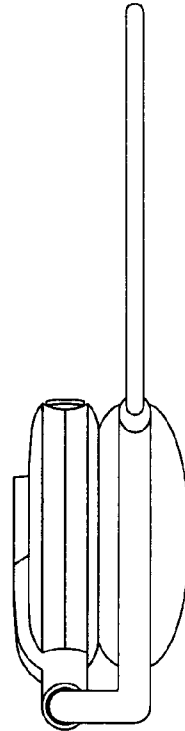


FIG. 6

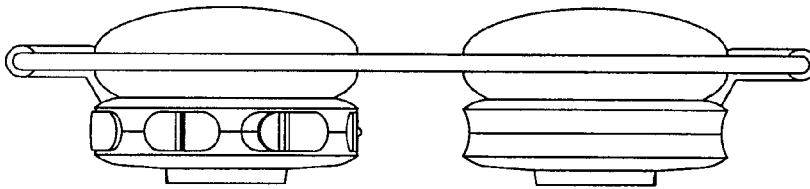


FIG. 7

