

(19) World Intellectual Property Organization
International Bureau



(43) International Publication Date
19 July 2007 (19.07.2007)

PCT

(10) International Publication Number
WO 2007/081850 A3

- (51) International Patent Classification:
B26B 19/06 (2006.01) B26B 21/38 (2006.01)
B26B 21/22 (2006.01)
- (21) International Application Number:
PCT/US2007/000364
- (22) International Filing Date: 5 January 2007 (05.01.2007)
- (25) Filing Language: English
- (26) Publication Language: English
- (30) Priority Data:
60/756,918 5 January 2006 (05.01.2006) US
- (71) Applicant (for all designated States except US): EV-
EREADY BATTERY COMPANY, INC. [US/US]; 533
Maryville University Drive, St. Louis, Missouri 63141
(US).
- (72) Inventors; and
- (75) Inventors/Applicants (for US only): PENNELLA,
Andrew J. [US/US]; 180 Blackwood Lane, Stamford,
Connecticut 06903 (US). BARTSCHI, Armin [CH/CH];

Langgase 9, CH-4652 Winznau (CH). FISCHER, Franz
[CH/CH]; Baetzenmoos, CH-6234 Triengen (CH). PFEN-
NIGER, Philipp [CH/CH]; Ruetihofstrasse 15, CH-6234
Triengen (CH).

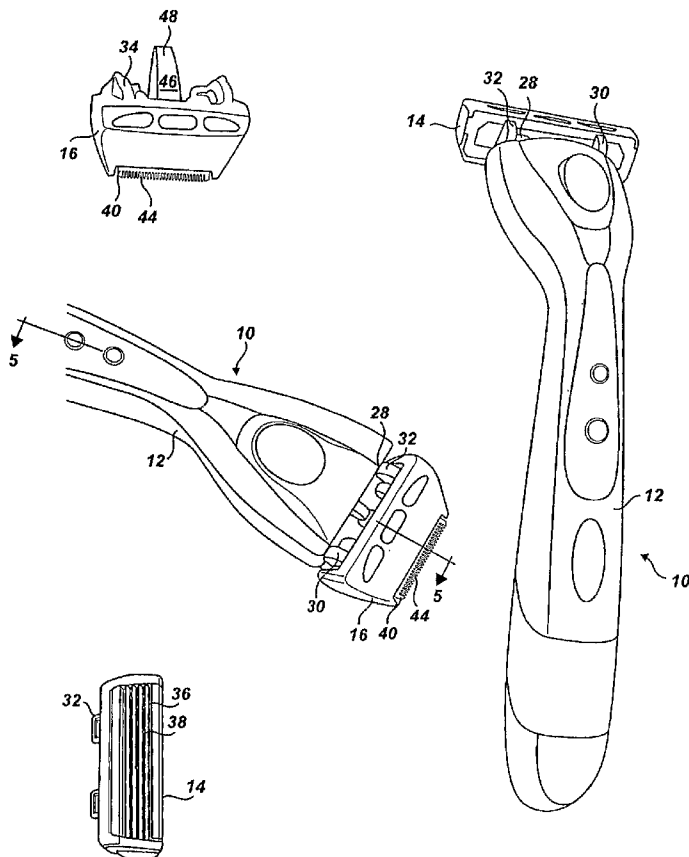
(74) Agent: MICHAUD, Richard; Michaud-Duffy Group
LLP, 306 Industrial Park Road, Suite 206, Middletown,
Connecticut 06457 (US).

(81) Designated States (unless otherwise indicated, for every
kind of national protection available): AE, AG, AL, AM,
AT, AU, AZ, BA, BB, BG, BR, BW, BY, BZ, CA, CH, CN,
CO, CR, CU, CZ, DE, DK, DM, DZ, EC, EE, EG, ES, FI,
GB, GD, GE, GH, GM, GT, HN, HR, HU, ID, IL, IN, IS,
JP, KE, KG, KM, KN, KP, KR, KZ, LA, LC, LK, LR, LS,
LT, LU, LV, LY, MA, MD, MG, MK, MN, MW, MX, MY,
MZ, NA, NG, NI, NO, NZ, OM, PG, PH, PL, PT, RO, RS,
RU, SC, SD, SE, SG, SK, SL, SM, SV, SY, TJ, TM, TN,
TR, TT, TZ, UA, UG, US, UZ, VC, VN, ZA, ZM, ZW.

(84) Designated States (unless otherwise indicated, for every
kind of regional protection available): ARIPO (BW, GH,
GM, KE, LS, MW, MZ, NA, SD, SL, SZ, TZ, UG, ZM,

[Continued on next page]

(54) Title: MULTI-USE SHAVING IMPLEMENT



(57) Abstract: A multi-use shaving implement (10) includes an elongated handle (12) and swappable razor cartridge (14) and trimmer head (16). The elongated handle has a powered motor (18) that is at least partially located therein. The razor cartridge has at least one elongated blade (36) with a sharpened cutting edge (38) and is removably attachable to the handle. The trimmer head has at least one stationary blade (40), one movable blade (42) and is also removably attachable to the handle when the razor cartridge is not attached to the handle. The trimmer head also includes a prong (46) that extends therefrom. During use of the trimmer, the motor (when activated) is in contact with the prong such that the motor reciprocally moves the prong and, accordingly, the movable blade relative to the stationary blade, thus enabling the user to trim hair.

WO 2007/081850 A3



ZW), Eurasian (AM, AZ, BY, KG, KZ, MD, RU, TJ, TM), European (AT, BE, BG, CH, CY, CZ, DE, DK, EE, ES, FI, FR, GB, GR, HU, IE, IS, IT, LT, LU, LV, MC, NL, PL, PT, RO, SE, SI, SK, TR), OAPI (BF, BJ, CF, CG, CI, CM, GA, GN, GQ, GW, ML, MR, NE, SN, TD, TG).

Published:

- *with international search report*
- *before the expiration of the time limit for amending the claims and to be republished in the event of receipt of amendments*

(88) Date of publication of the international search report:
7 September 2007

For two-letter codes and other abbreviations, refer to the "Guidance Notes on Codes and Abbreviations" appearing at the beginning of each regular issue of the PCT Gazette.

INTERNATIONAL SEARCH REPORT

International application No
PCT/US2007/000364

A. CLASSIFICATION OF SUBJECT MATTER INV. B26B19/06 B26B21/22 B26B21/38				
According to International Patent Classification (IPC) or to both national classification and IPC				
B. FIELDS SEARCHED				
Minimum documentation searched (classification system followed by classification symbols) B26B				
Documentation searched other than minimum documentation to the extent that such documents are included in the fields searched				
Electronic data base consulted during the international search (name of data base and, where practical, search terms used) EPO-Internal				
C. DOCUMENTS CONSIDERED TO BE RELEVANT				
Category*	Citation of document, with indication, where appropriate, of the relevant passages	Relevant to claim No.		
A	US 2005/217115 A1 (BLAUSTEIN LAWRENCE A [US] ET AL) 6 October 2005 (2005-10-06) paragraph [0023] - paragraph [0037]; figures 1-14	1-12		
P,A	WO 2006/043027 A (GILLETTE CO [US]; ROYLE TERENCE GORDON [GB]) 27 April 2006 (2006-04-27) paragraphs [0003] - [0008]; claims 1,22; figure 19	1-12		
<input type="checkbox"/> Further documents are listed in the continuation of Box C. <input checked="" type="checkbox"/> See patent family annex.				
* Special categories of cited documents :				
<table style="width: 100%; border: none;"> <tr> <td style="width: 50%; border: none; vertical-align: top;"> *A* document defining the general state of the art which is not considered to be of particular relevance *E* earlier document but published on or after the international filing date *L* document which may throw doubts on priority claim(s) or which is cited to establish the publication date of another citation or other special reason (as specified) *O* document referring to an oral disclosure, use, exhibition or other means *P* document published prior to the international filing date but later than the priority date claimed </td> <td style="width: 50%; border: none; vertical-align: top;"> *T* later document published after the international filing date or priority date and not in conflict with the application but cited to understand the principle or theory underlying the invention *X* document of particular relevance; the claimed invention cannot be considered novel or cannot be considered to involve an inventive step when the document is taken alone *Y* document of particular relevance; the claimed invention cannot be considered to involve an inventive step when the document is combined with one or more other such documents, such combination being obvious to a person skilled in the art. *&* document member of the same patent family </td> </tr> </table>			*A* document defining the general state of the art which is not considered to be of particular relevance *E* earlier document but published on or after the international filing date *L* document which may throw doubts on priority claim(s) or which is cited to establish the publication date of another citation or other special reason (as specified) *O* document referring to an oral disclosure, use, exhibition or other means *P* document published prior to the international filing date but later than the priority date claimed	*T* later document published after the international filing date or priority date and not in conflict with the application but cited to understand the principle or theory underlying the invention *X* document of particular relevance; the claimed invention cannot be considered novel or cannot be considered to involve an inventive step when the document is taken alone *Y* document of particular relevance; the claimed invention cannot be considered to involve an inventive step when the document is combined with one or more other such documents, such combination being obvious to a person skilled in the art. *&* document member of the same patent family
A document defining the general state of the art which is not considered to be of particular relevance *E* earlier document but published on or after the international filing date *L* document which may throw doubts on priority claim(s) or which is cited to establish the publication date of another citation or other special reason (as specified) *O* document referring to an oral disclosure, use, exhibition or other means *P* document published prior to the international filing date but later than the priority date claimed	*T* later document published after the international filing date or priority date and not in conflict with the application but cited to understand the principle or theory underlying the invention *X* document of particular relevance; the claimed invention cannot be considered novel or cannot be considered to involve an inventive step when the document is taken alone *Y* document of particular relevance; the claimed invention cannot be considered to involve an inventive step when the document is combined with one or more other such documents, such combination being obvious to a person skilled in the art. *&* document member of the same patent family			
Date of the actual completion of the international search	Date of mailing of the international search report			
3 July 2007	11/07/2007			
Name and mailing address of the ISA European Patent Office, P.B. 5818 Patentlaan 2 NL - 2280 HV Rijswijk Tel. (+31-70) 340-2040, Tx. 31 651 epo nl, Fax: (+31-70) 340-3016	Authorized officer Maier, Michael			

INTERNATIONAL SEARCH REPORT

Information on patent family members

International application No

PCT/US2007/000364

Patent document cited in search report	Publication date	Patent family member(s)	Publication date
US 2005217115 A1	06-10-2005	AU 2005235526 A1	03-11-2005
		EP 1744859 A2	24-01-2007
		WO 2005102623 A2	03-11-2005
WO 2006043027 A	27-04-2006	CA 2582878 A1	27-04-2006
		GB 2419103 A	19-04-2006